

LEGO VERY LARGE TELESCOPE

Building Instructions

Design by Frans Snik

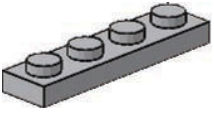


The **LEGO Very Large Telescope** is a challenging but fun build! Although it is a mortal sin against the LEGO philosophy, and the model does stay nicely intact without it, the application of some glue here and there is recommended, particularly to enable frequent handling and transport. It is indicated which connections could be glued together. Regular universal glue already does the job. You will also need a sharp knife to slightly modify a few bricks...

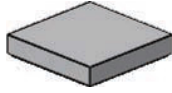
To enable easy access to the telescope, the design can be slightly adapted according to the comments in the instructions.

Happy building!

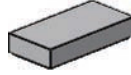
1



3 x



64 x



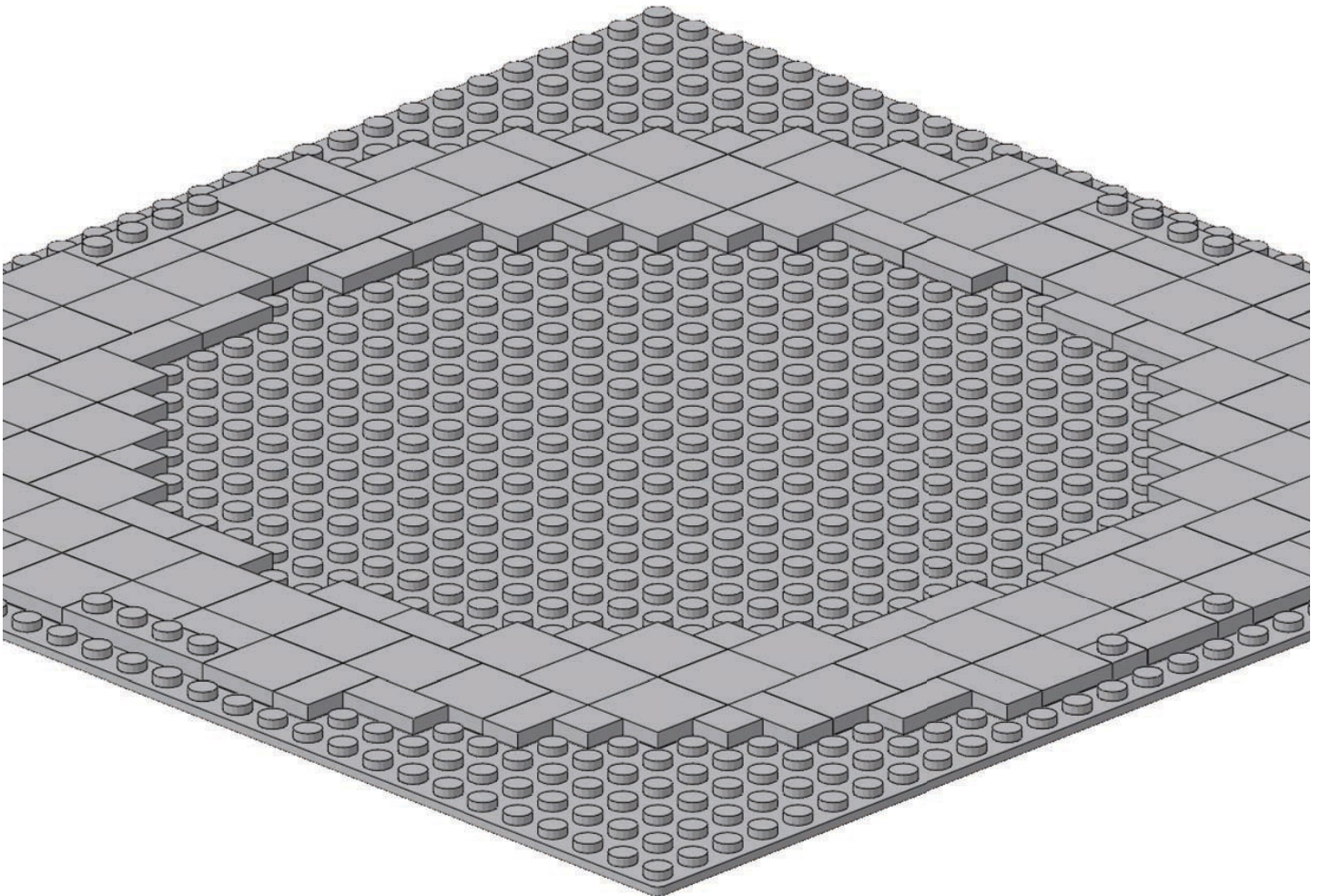
49 x



16 x



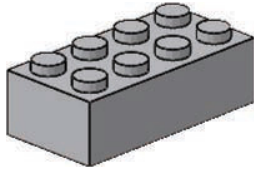
2 x



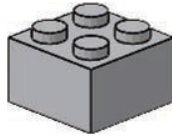
2



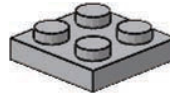
1 x



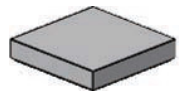
4 x



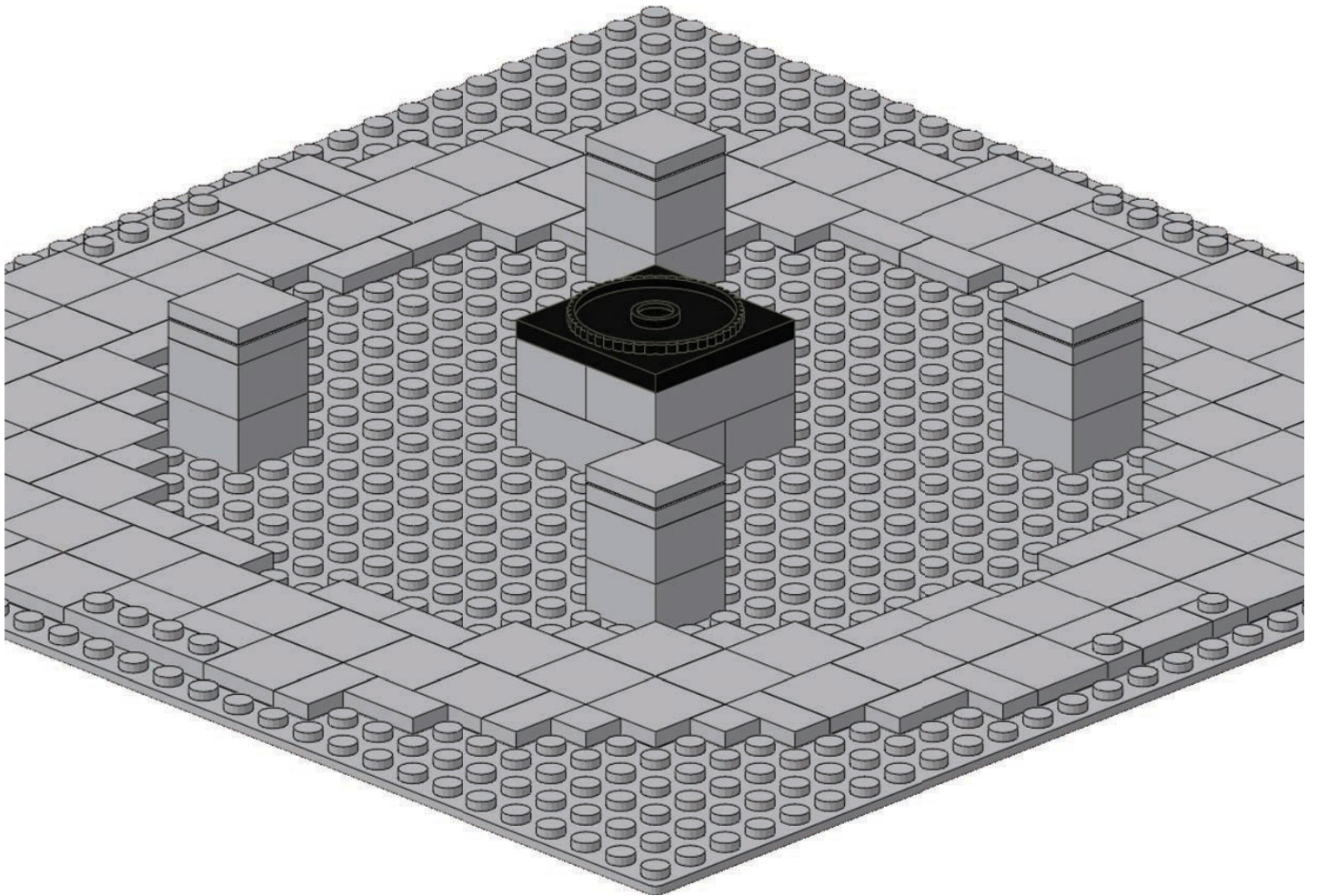
8 x



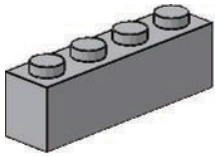
4 x



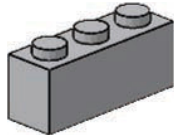
4 x



3



3 x



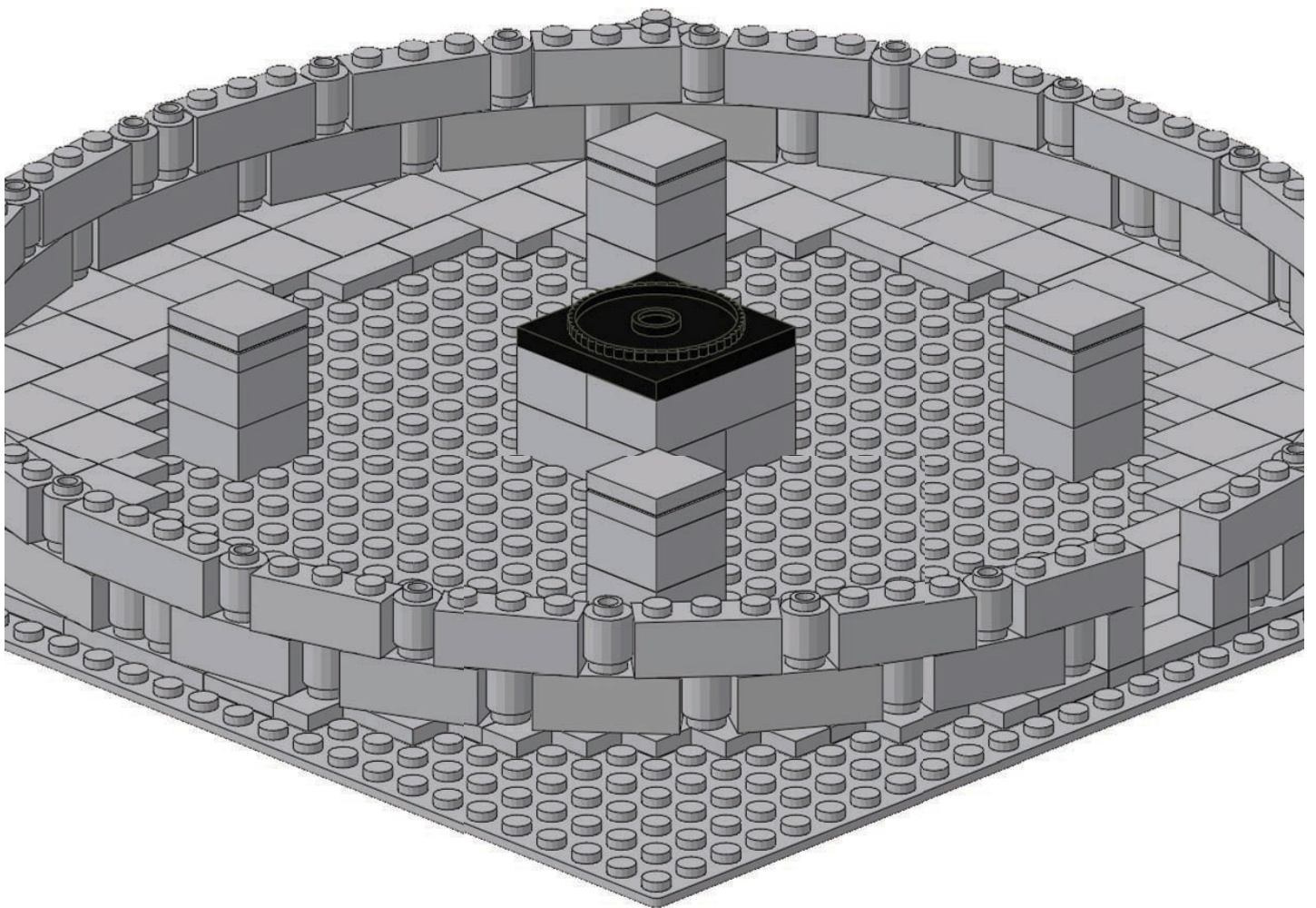
40 x



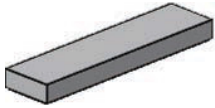
46 x



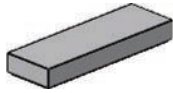
2 x



4



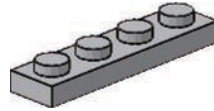
2 x



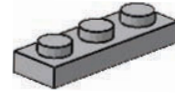
20 x



24 x



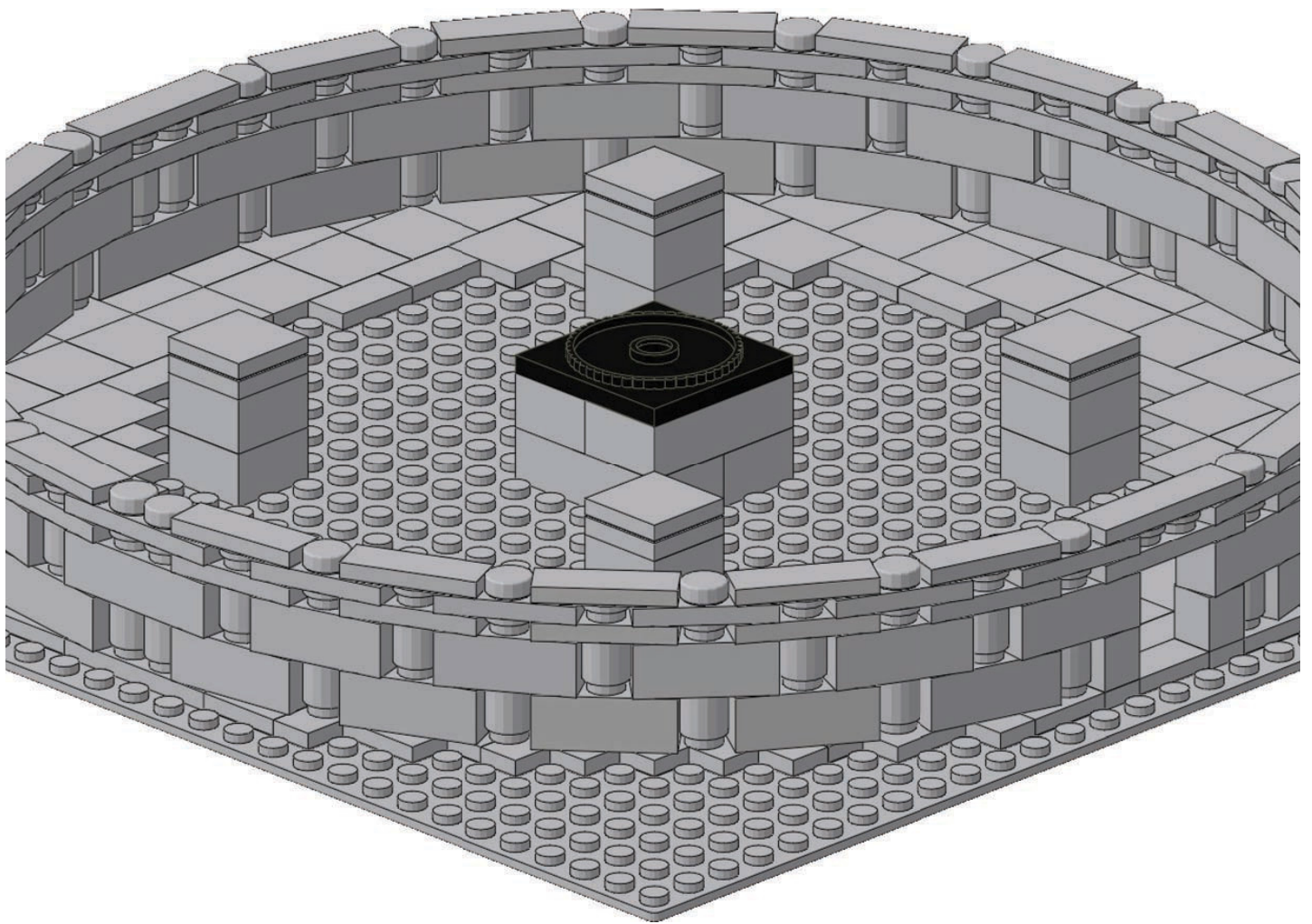
4 x



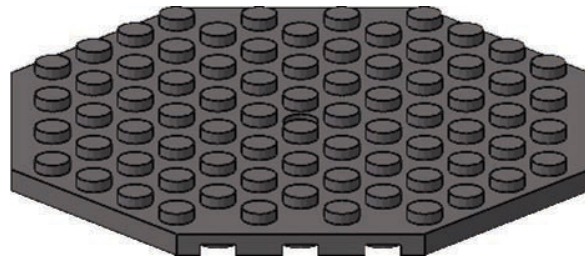
40 x



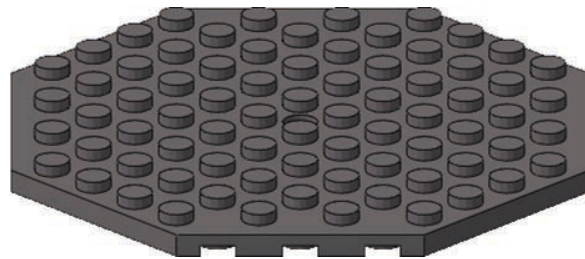
48 x



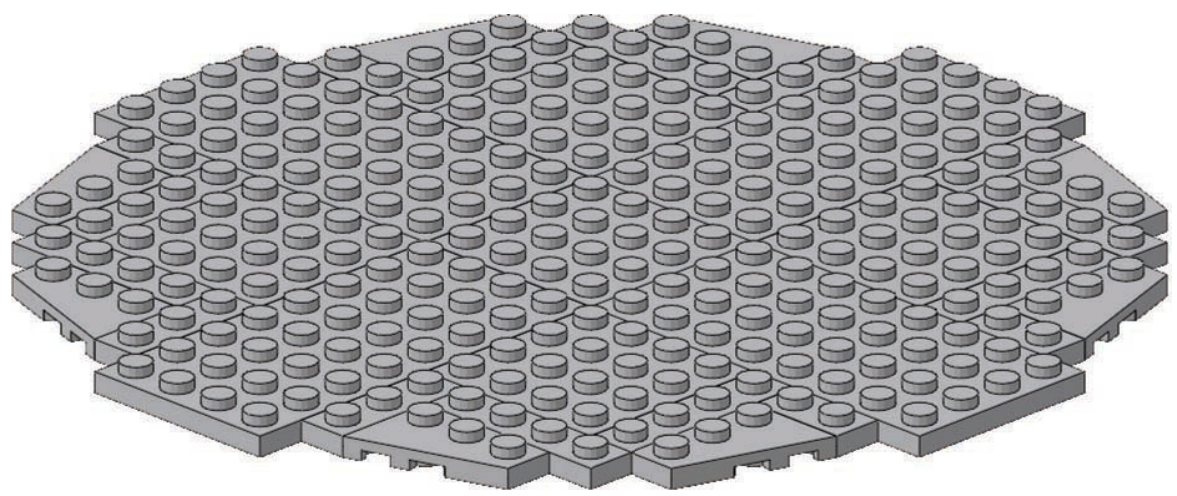
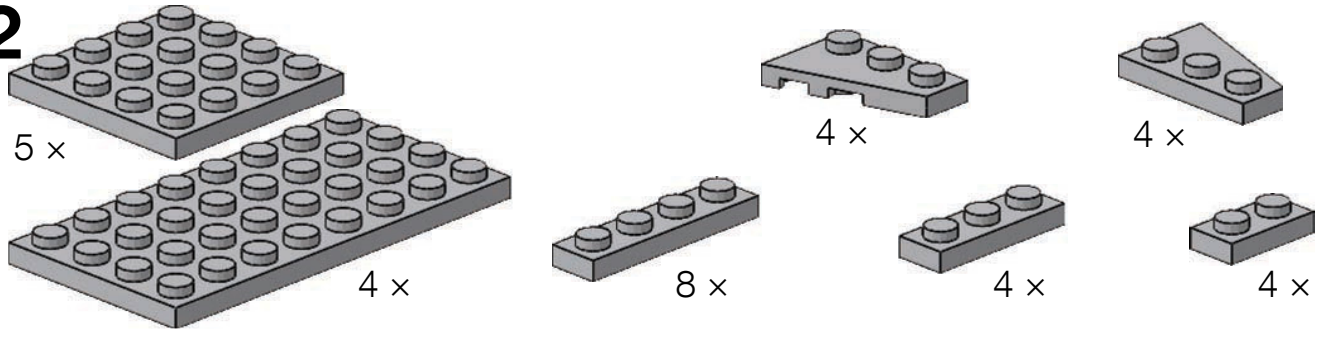
1



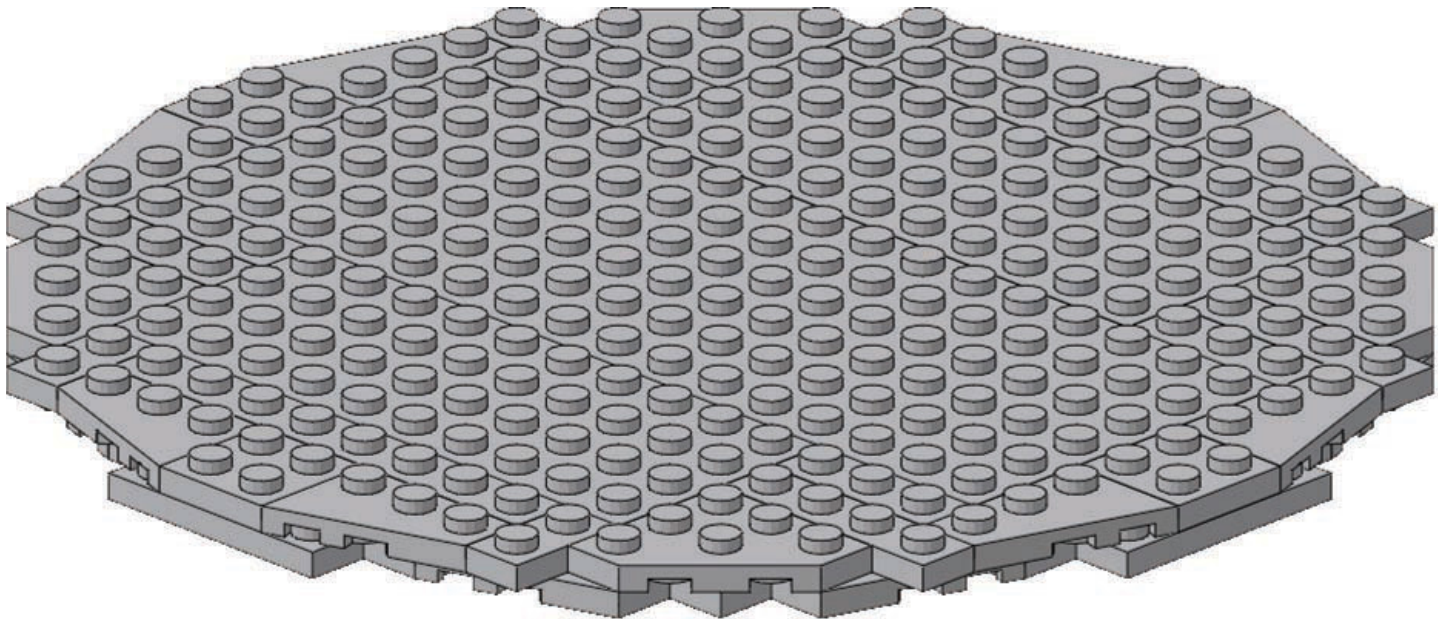
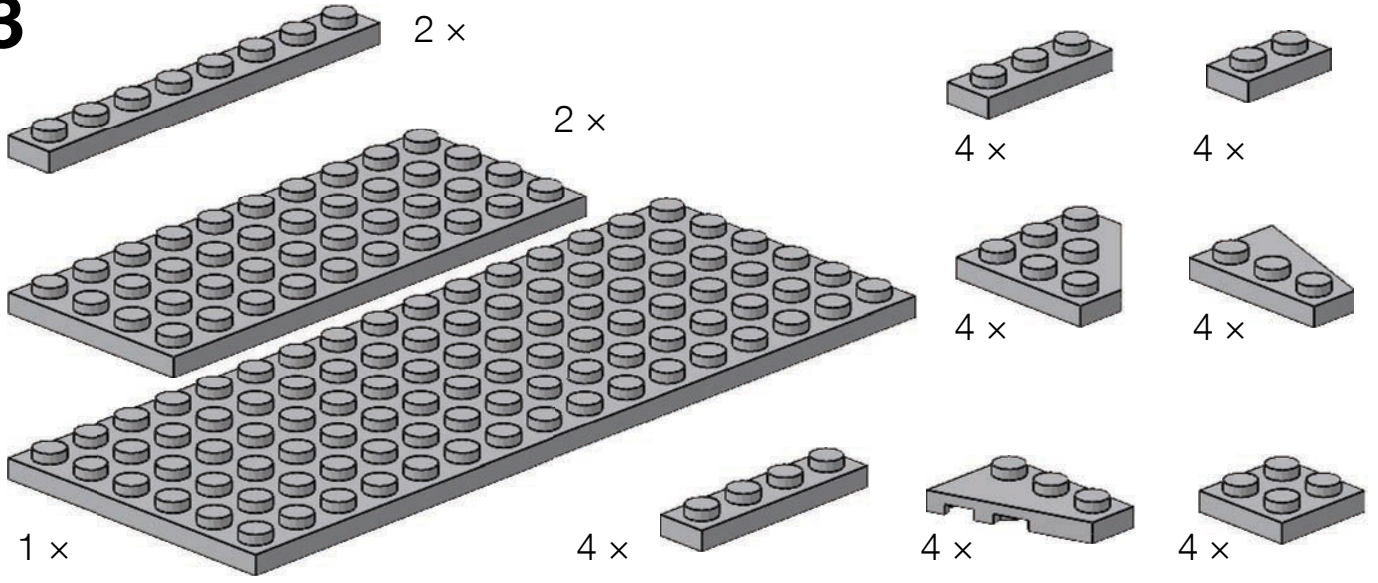
1 x



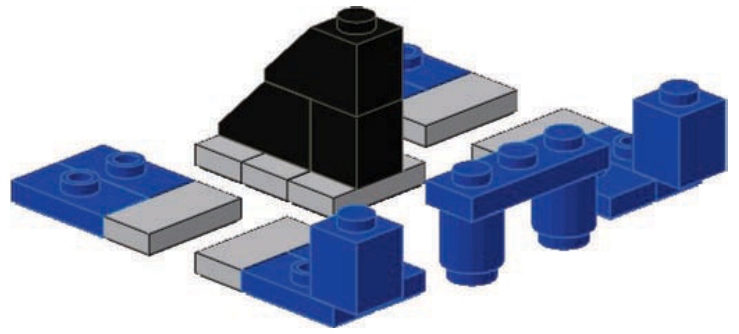
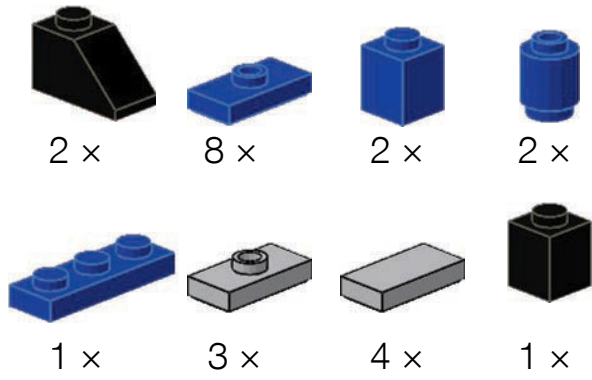
2



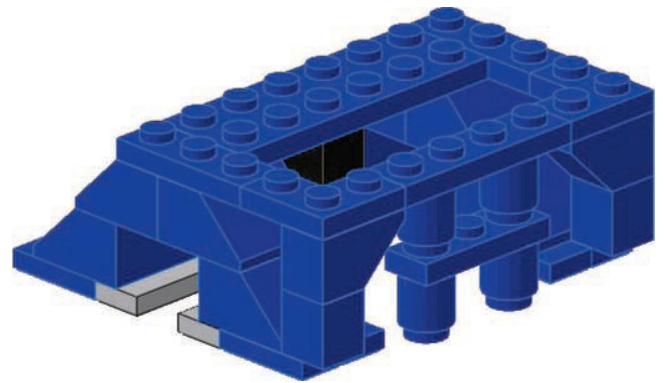
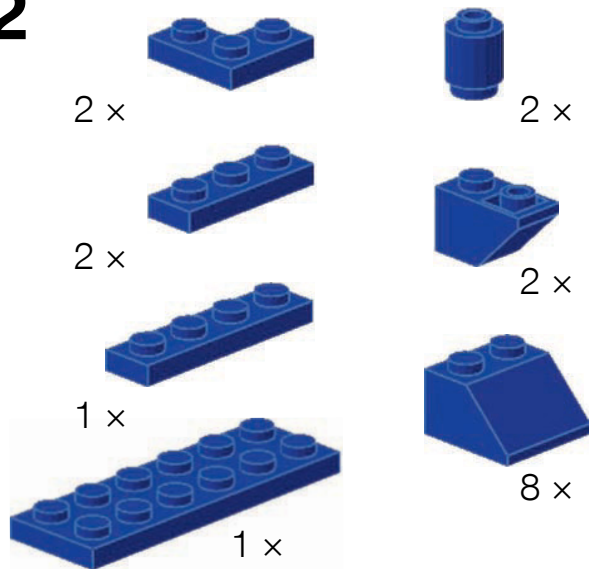
3



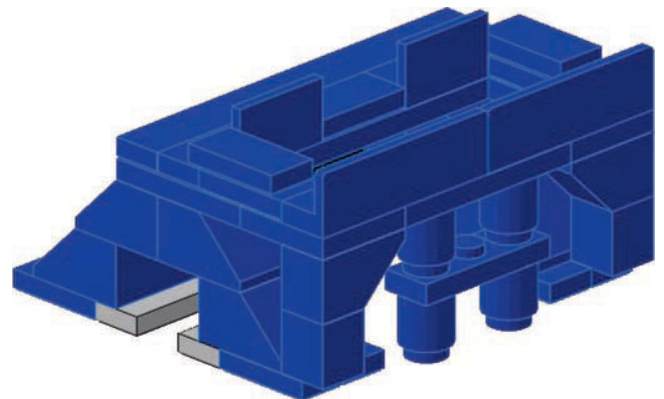
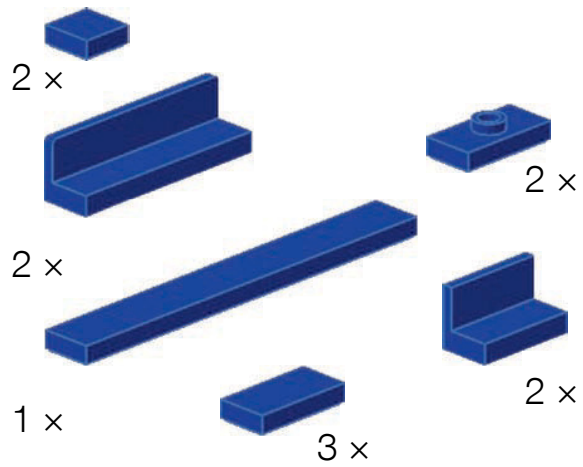
1

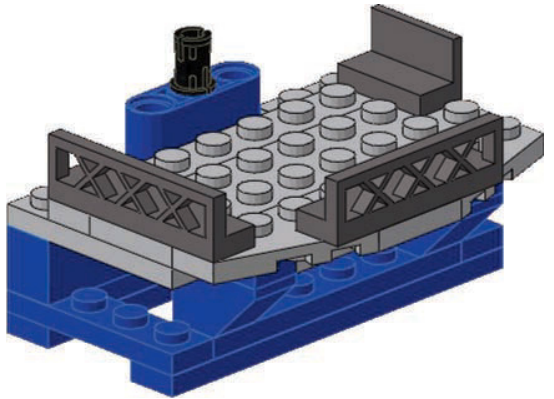
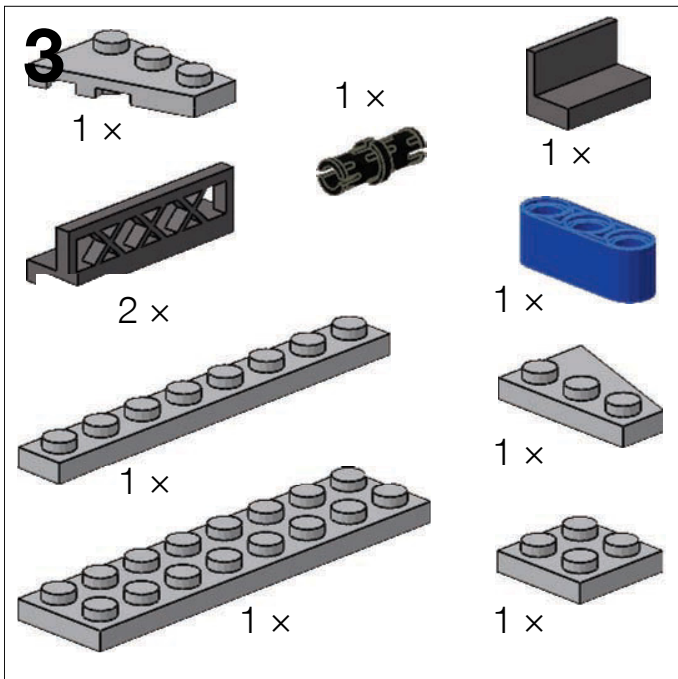
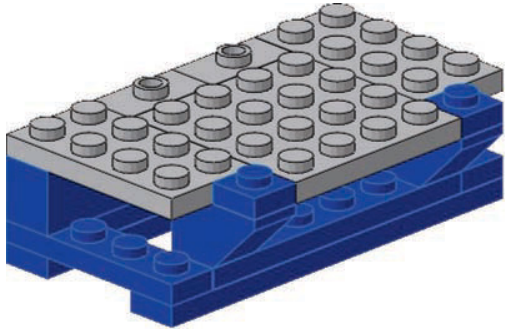
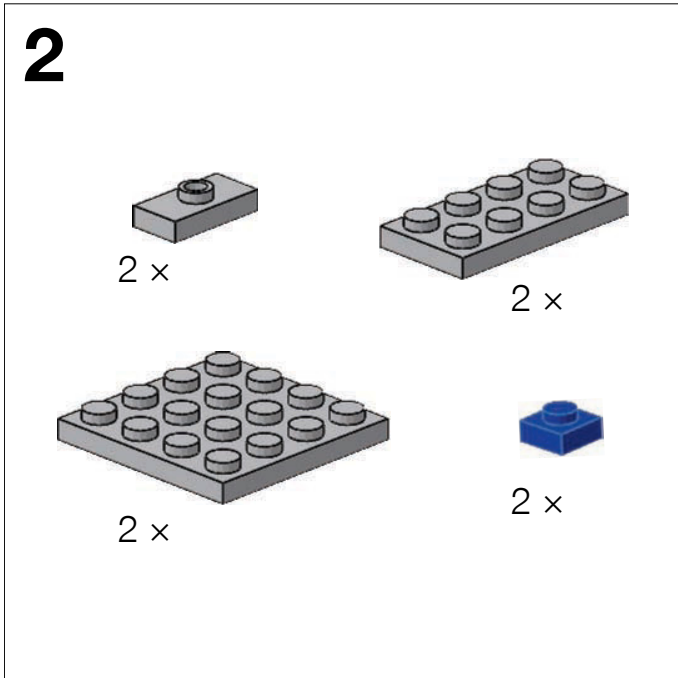
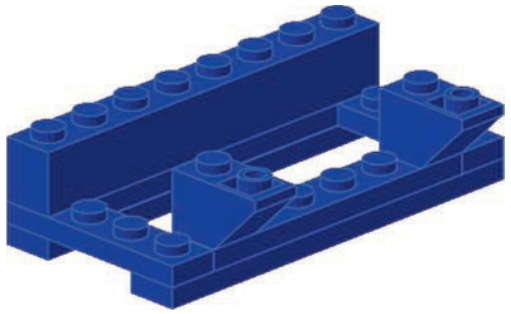
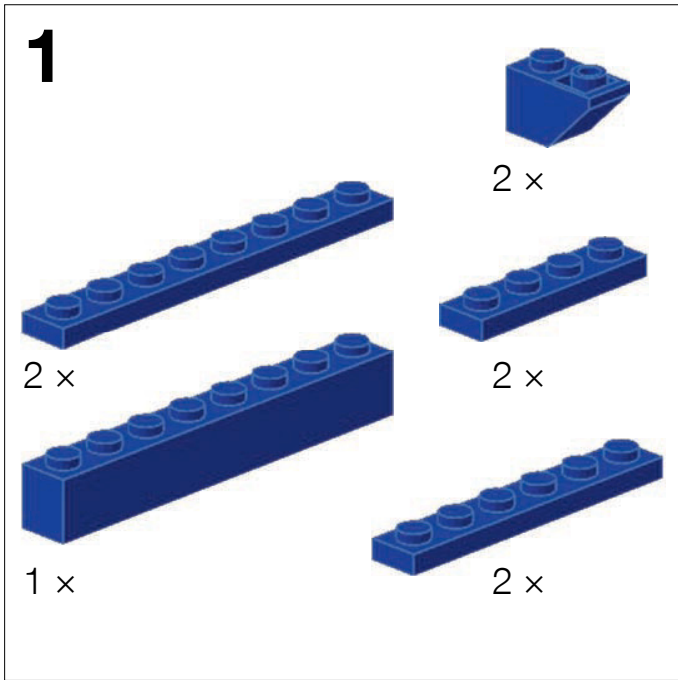


2



3





4



2 x



1 x



1 x



2 x



2 x

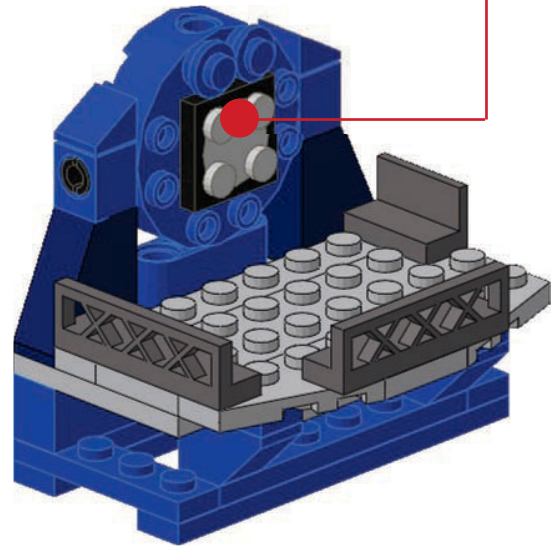


2 x



2 x

Cut off the edges of the four studs on the turntable, to fit the hole of the round plate on top of it.



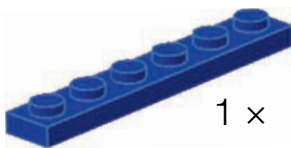
5



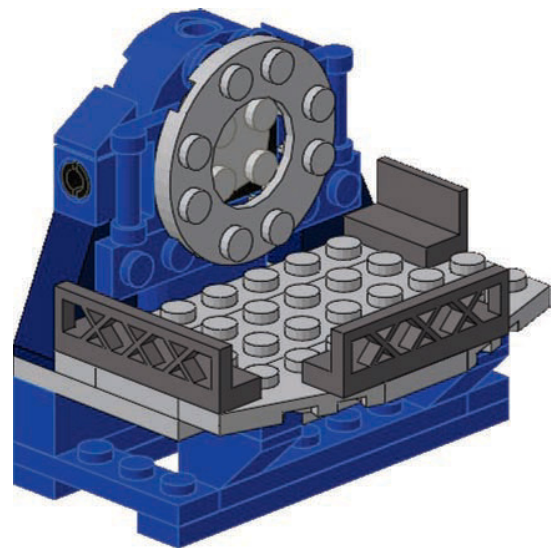
2 x



1 x



1 x



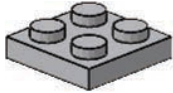
1



1 x



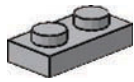
1 x



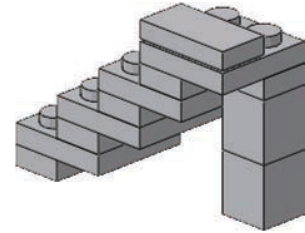
4 x



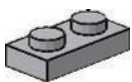
2 x



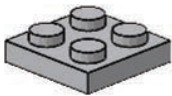
4 x



2



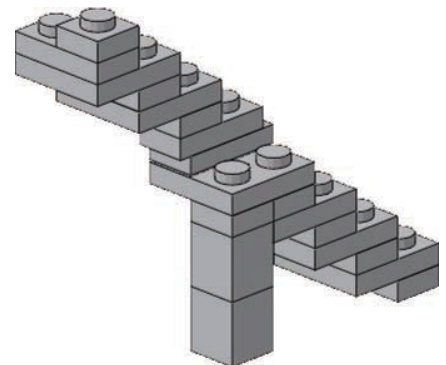
3 x

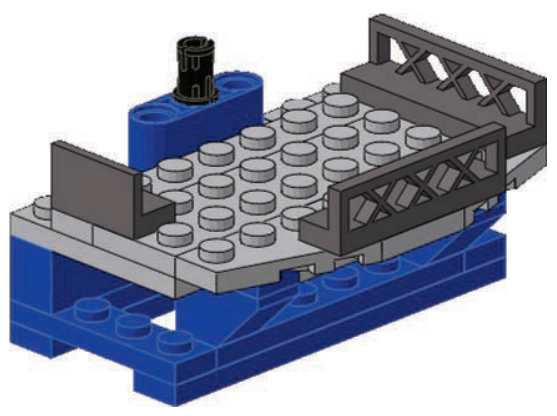
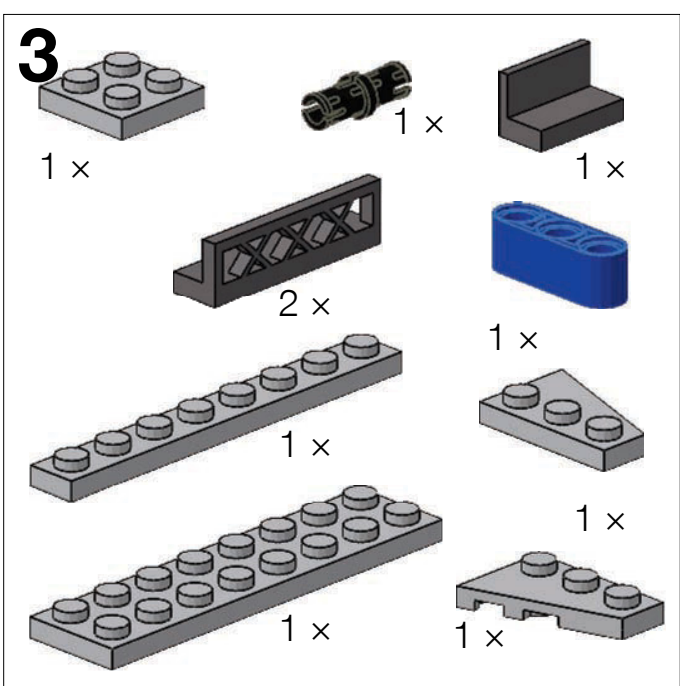
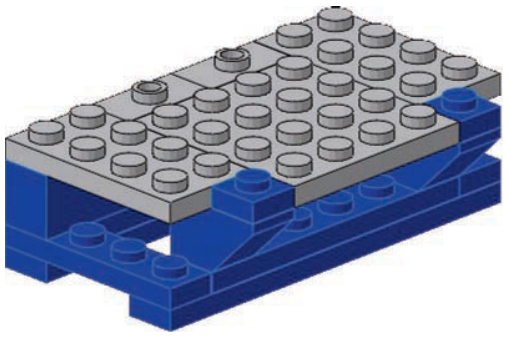
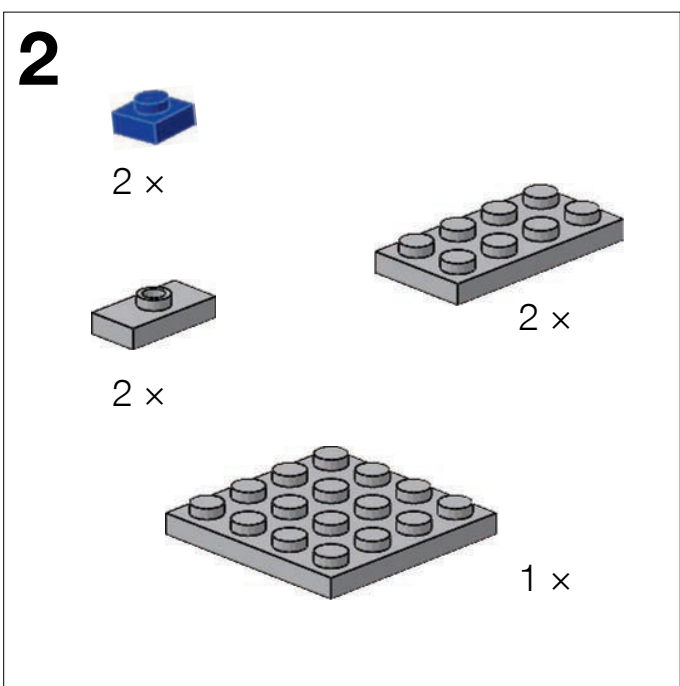
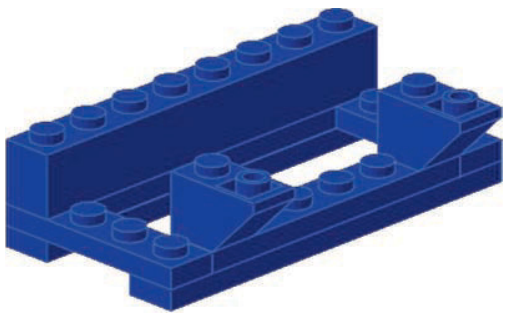
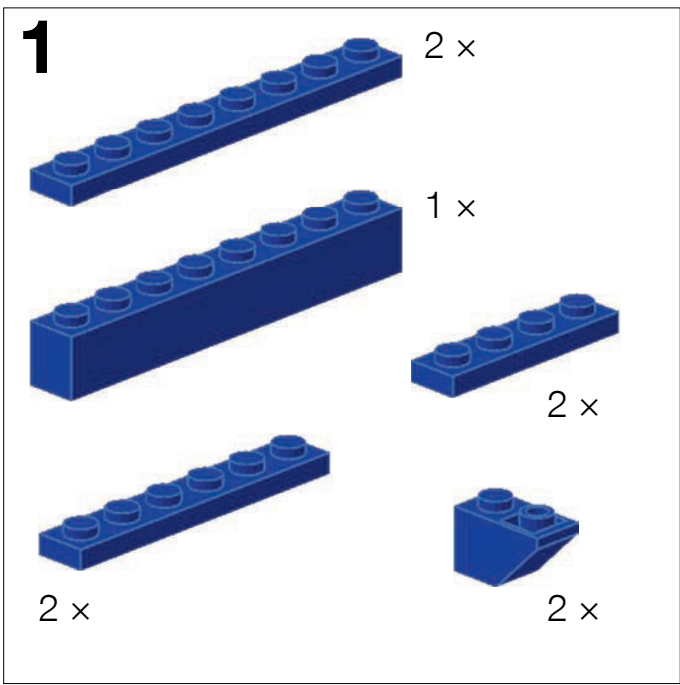


2 x

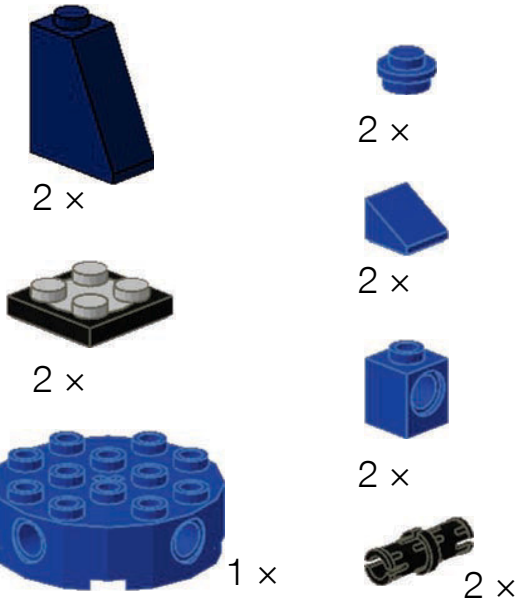


2 x

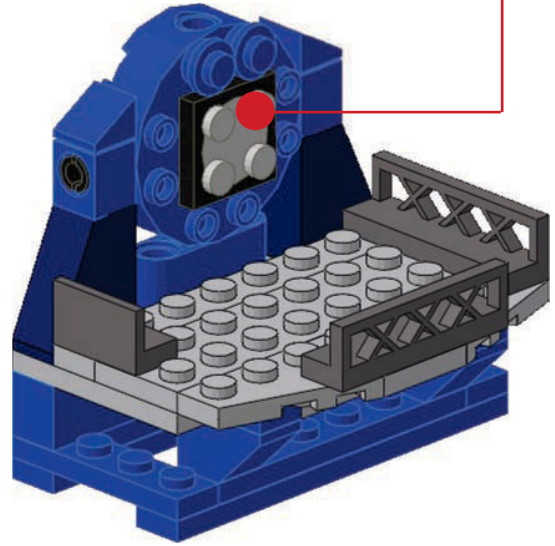




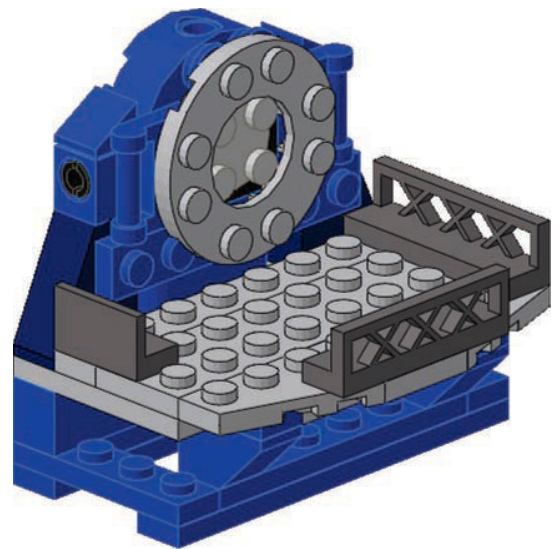
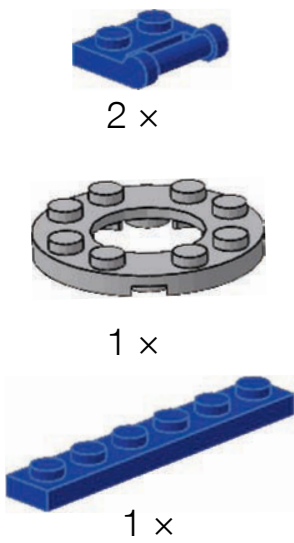
4



Cut off the edges of the four studs on the turntable, to fit the hole of the round plate on top of it.



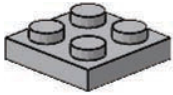
5



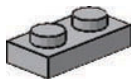
1



1 x



4 x



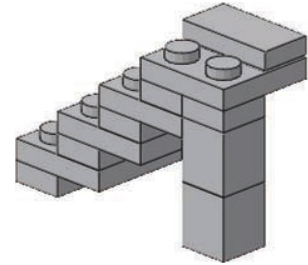
4 x



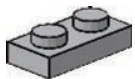
2 x



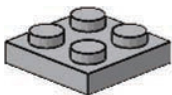
1 x



2



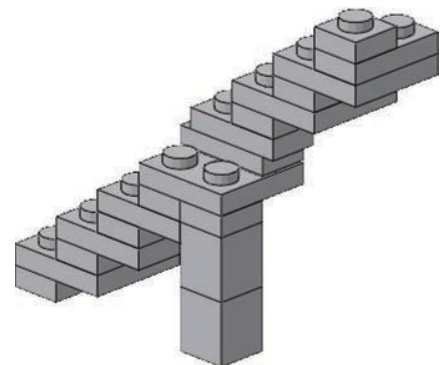
3 x

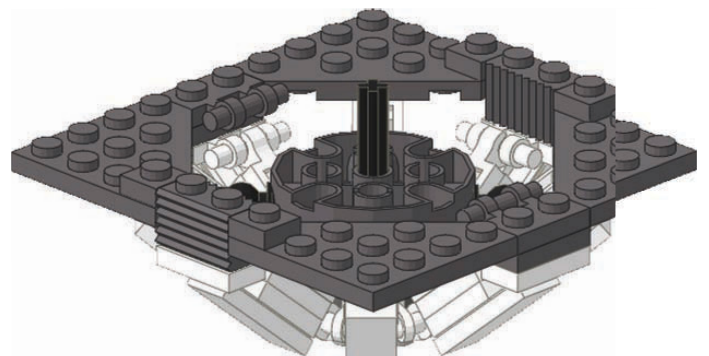
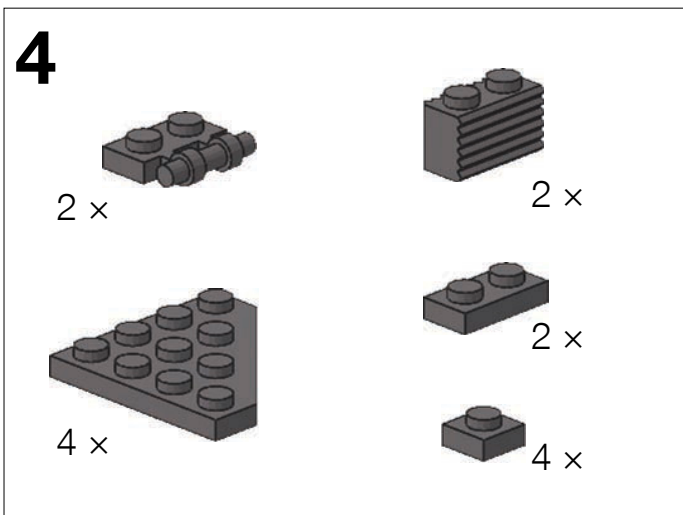
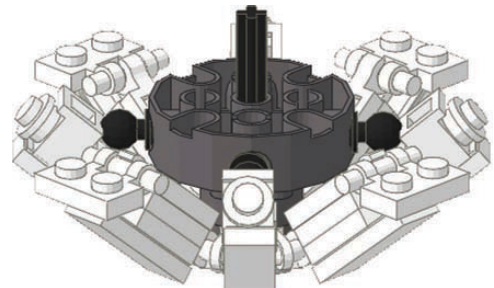
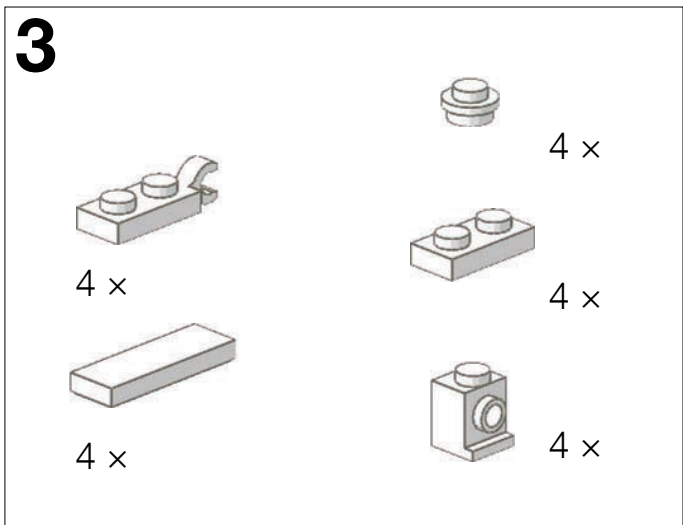
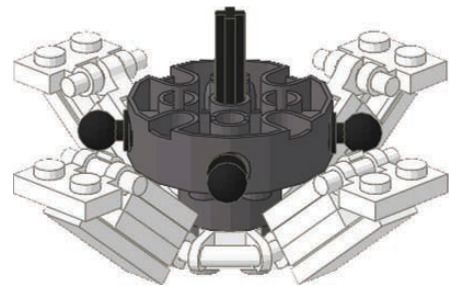
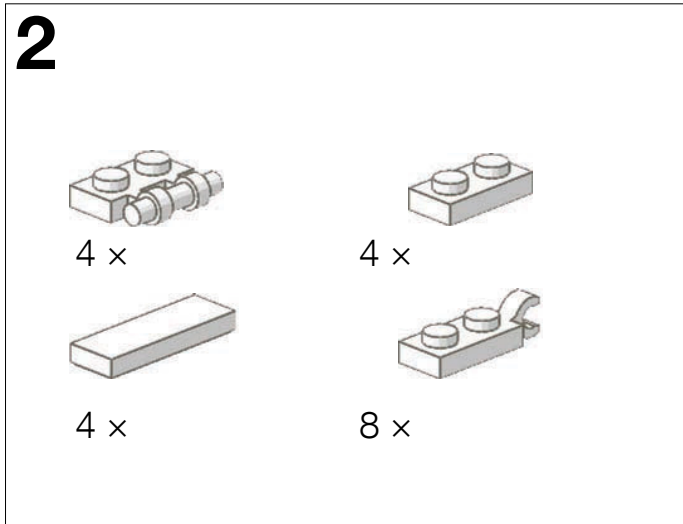
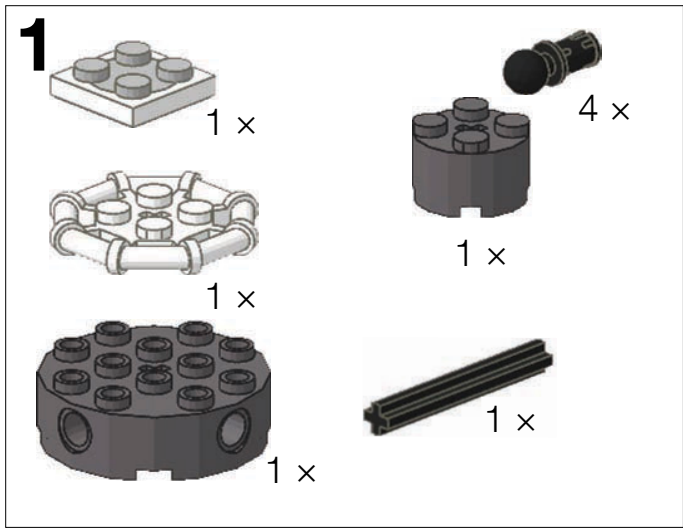


3 x



1 x





5



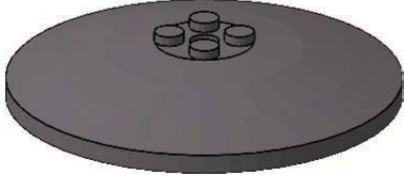
1 x



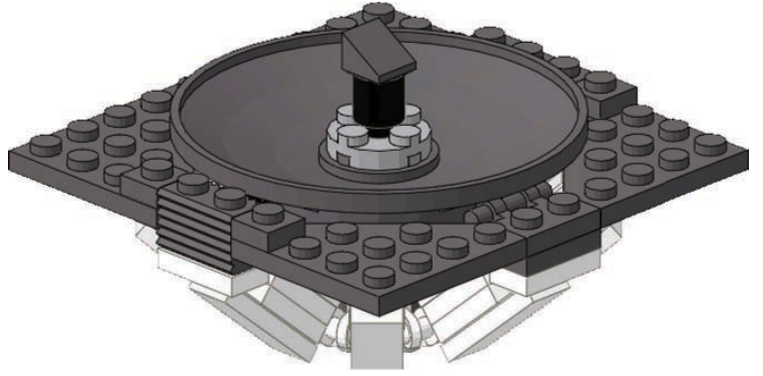
1 x



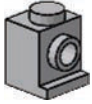
1 x



1 x



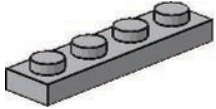
6



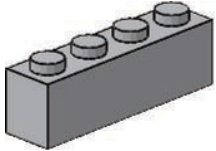
8 x



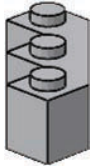
4 x



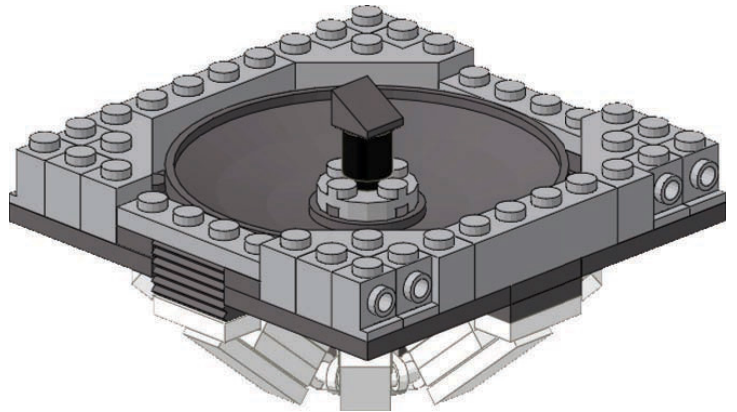
2 x



2 x



4 x



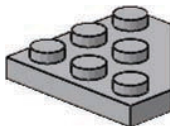
7



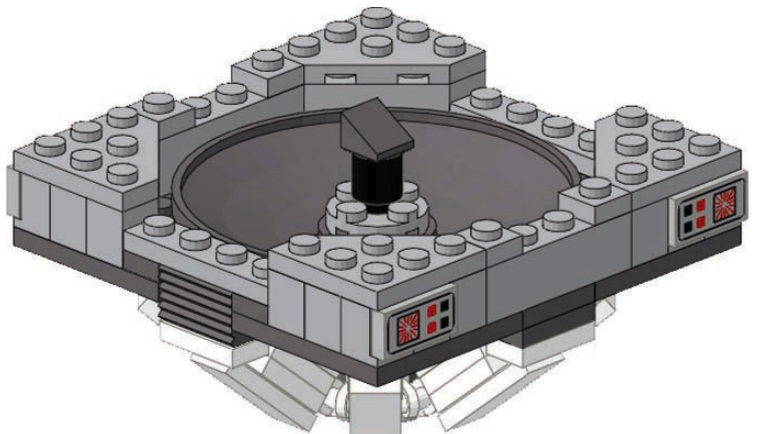
4 x



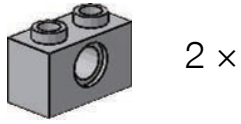
4 x



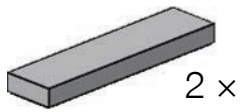
4 x



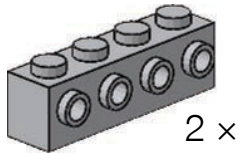
8



2 x



2 x



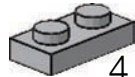
2 x



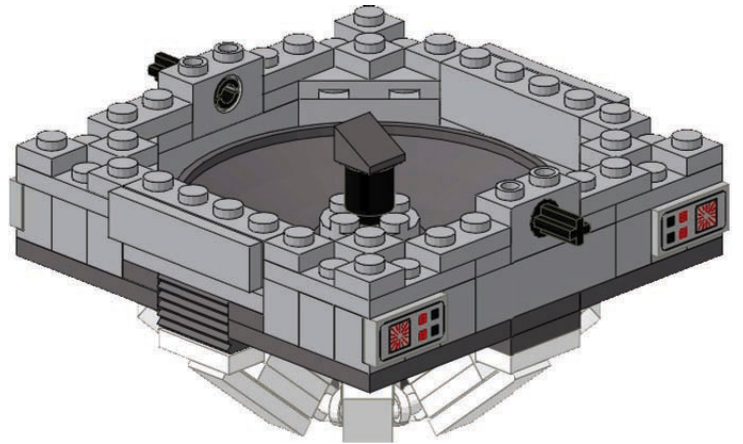
2 x



12 x



4 x



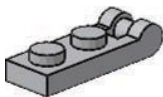
9



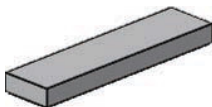
8 x



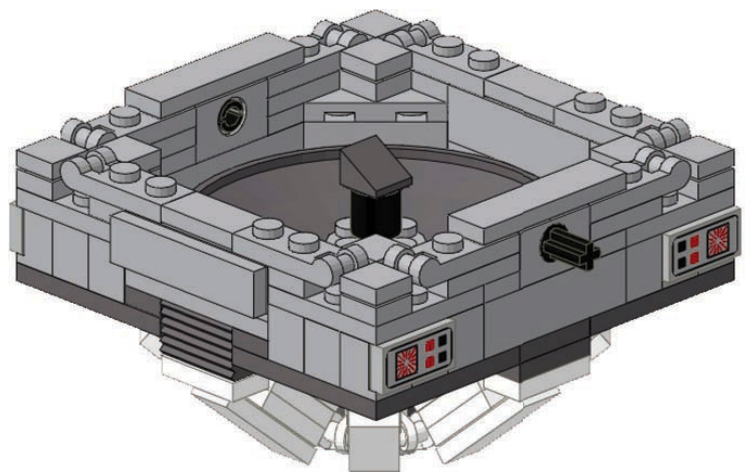
2 x

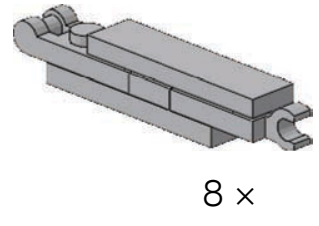
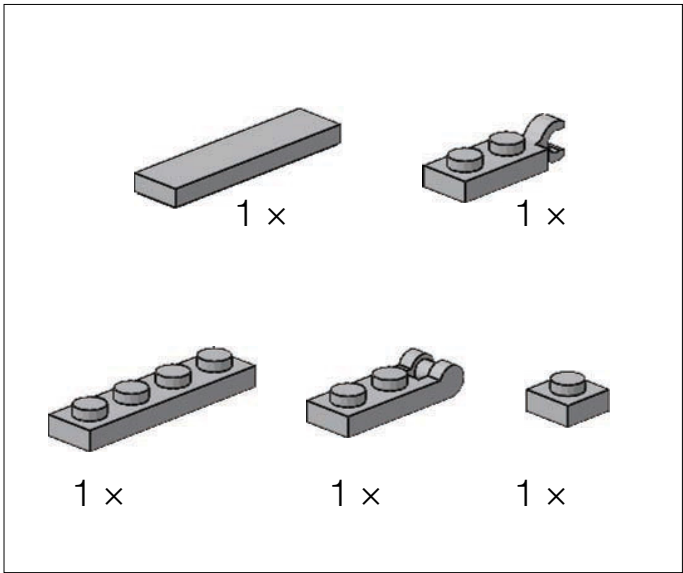


8 x



2 x

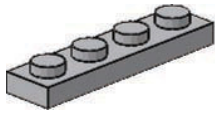




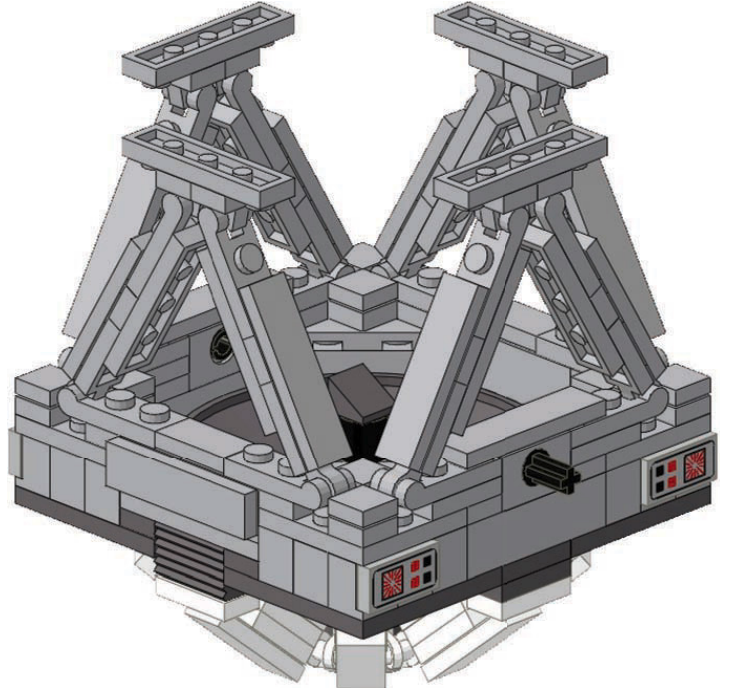
10



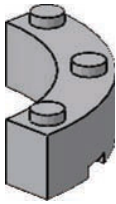
8 x



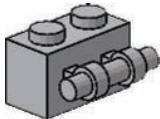
4 x



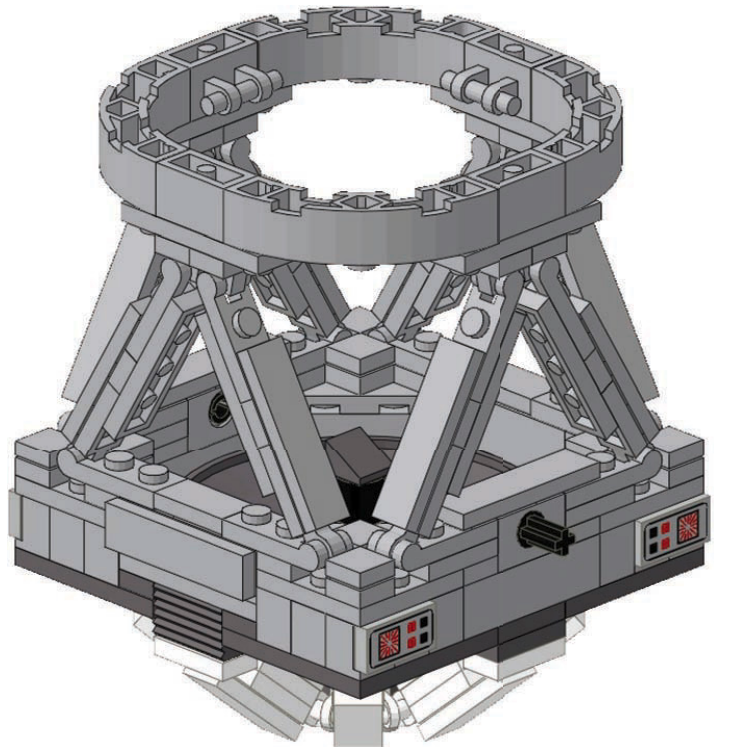
11



4 x



4 x



12



1 x



4 x



1 x



1 x



4 x



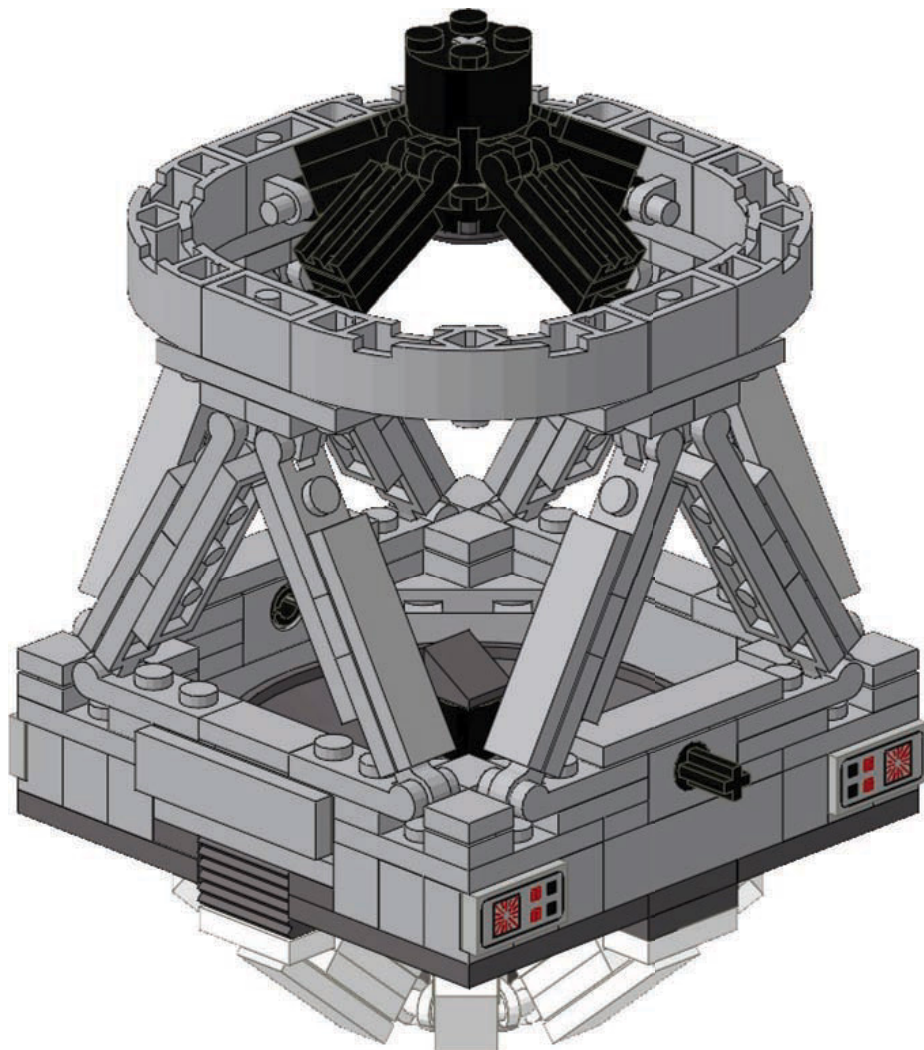
4 x

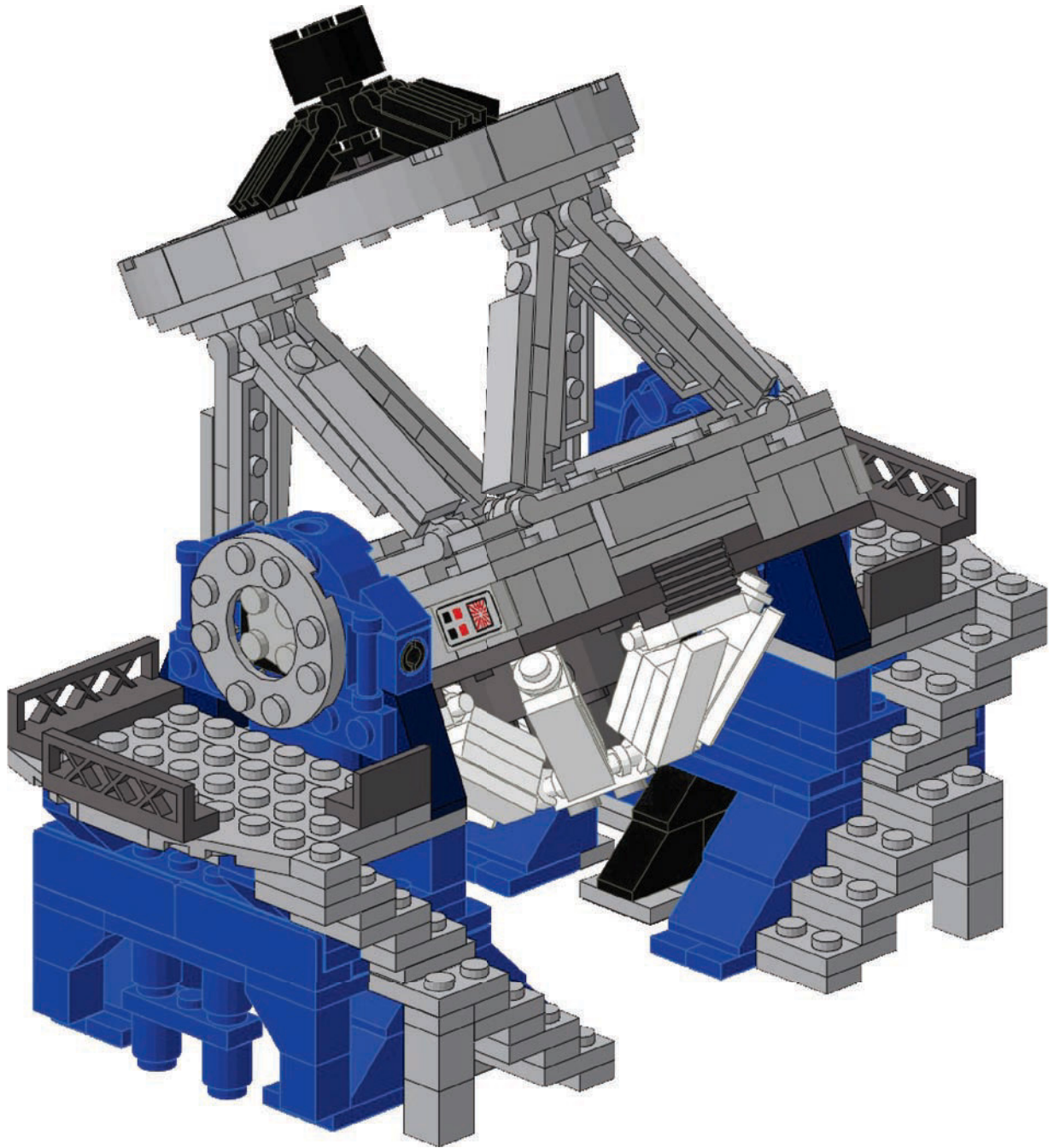


1 x

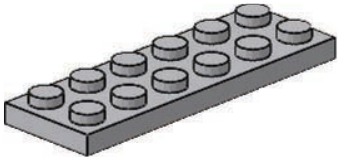


1 x





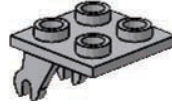
1



4 x



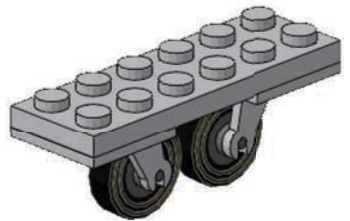
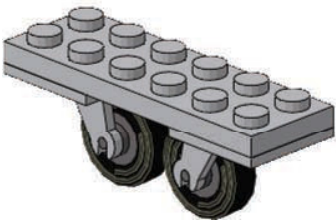
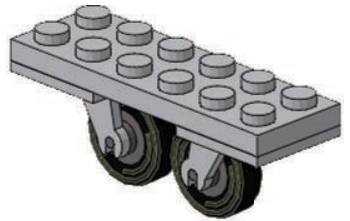
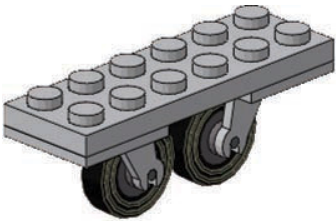
8 x



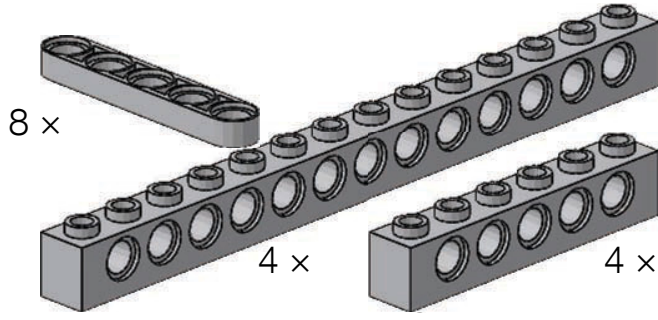
8 x



8 x



2



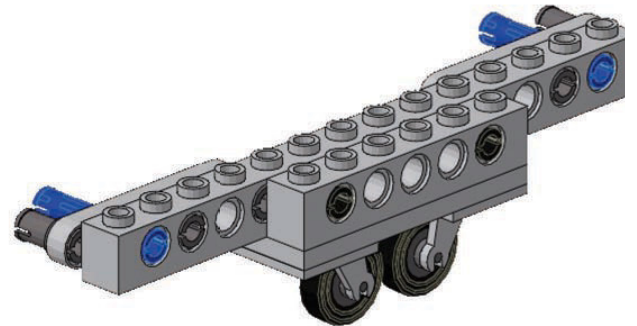
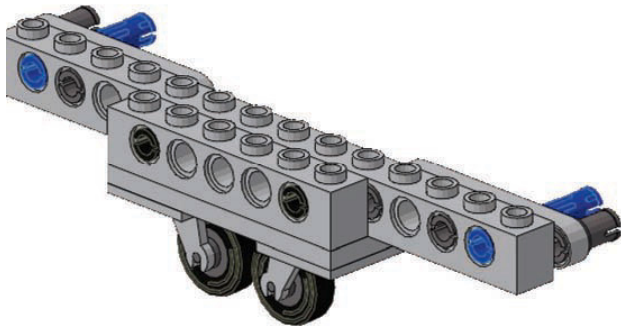
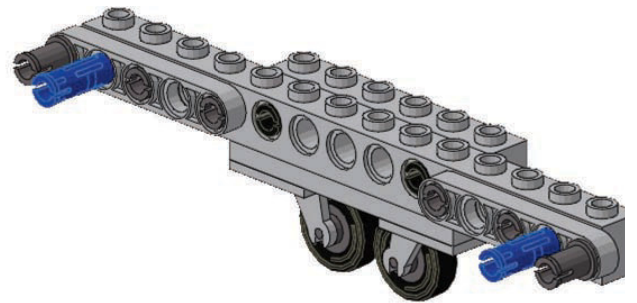
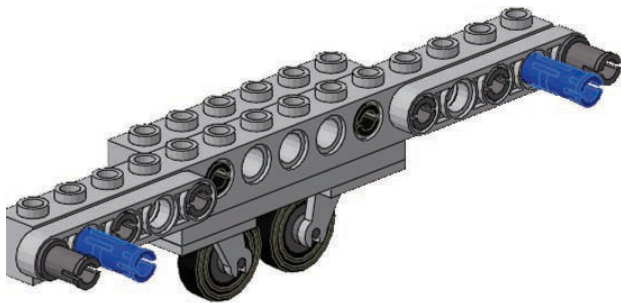
24 x



8 x



8 x



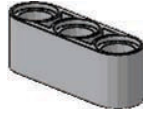
3



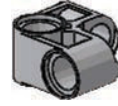
8 x



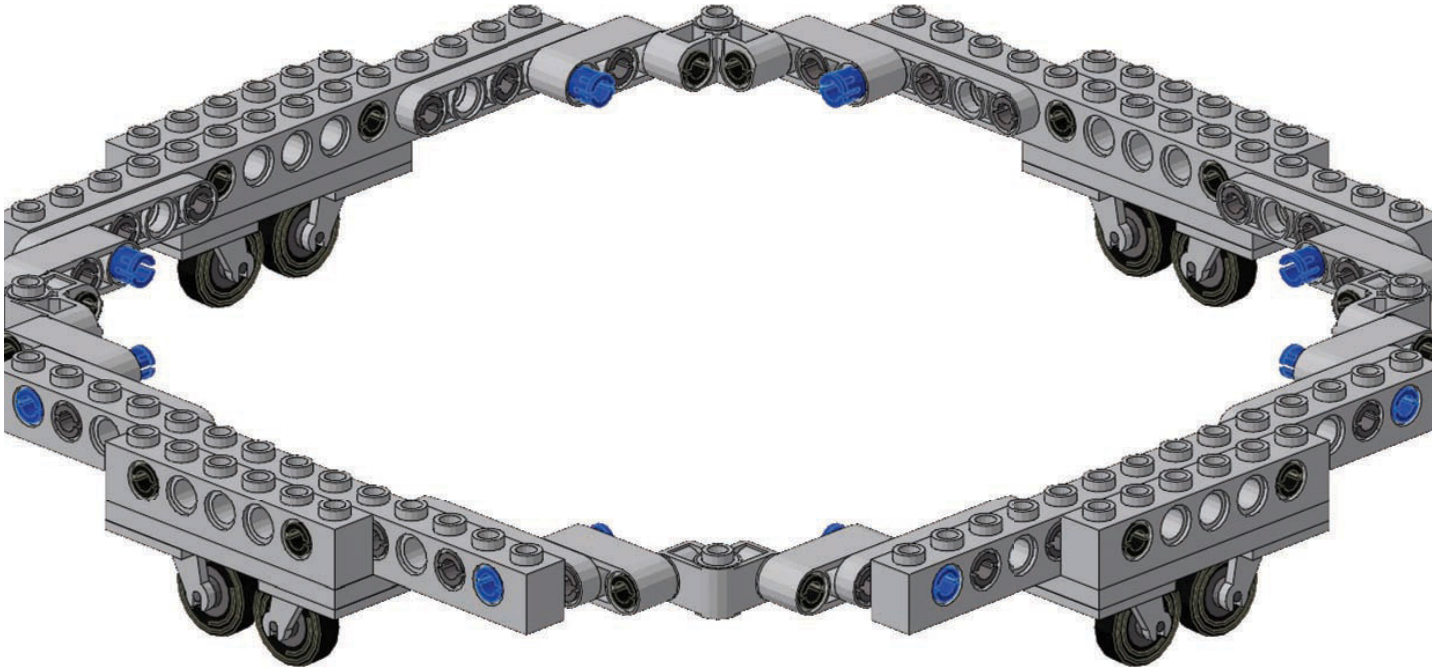
4 x



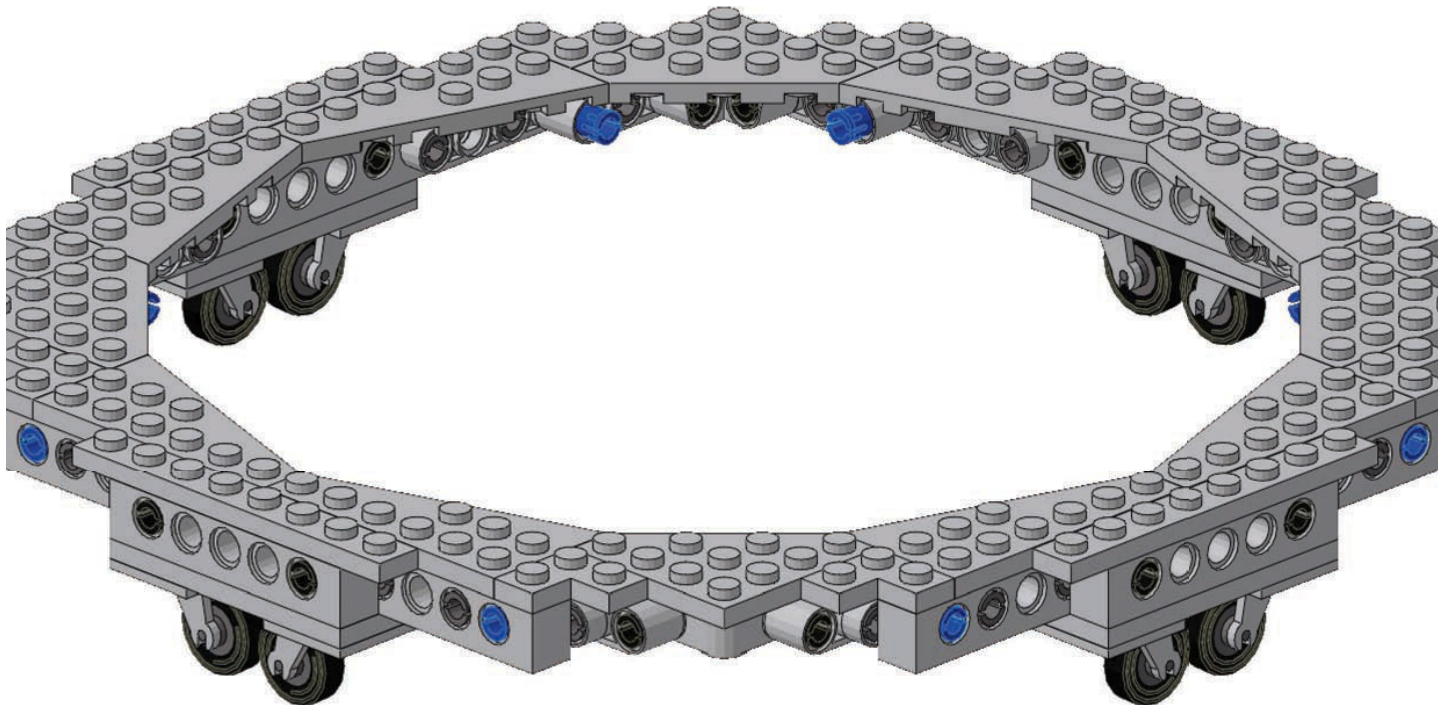
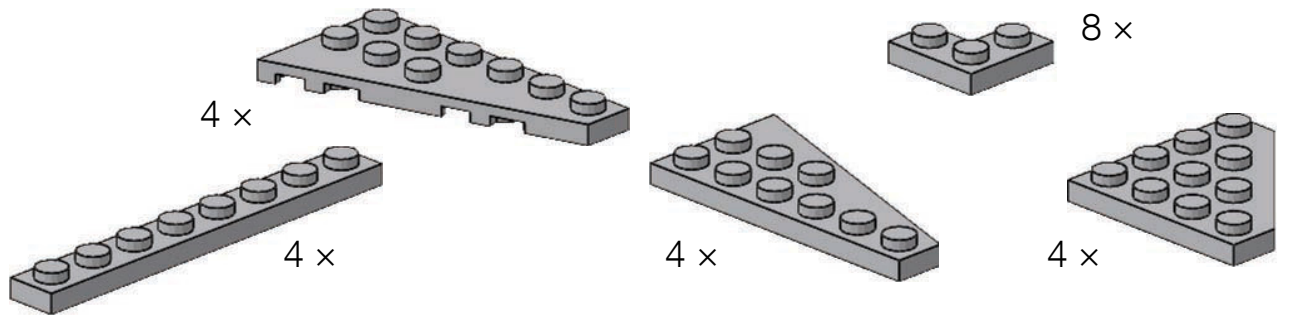
8 x



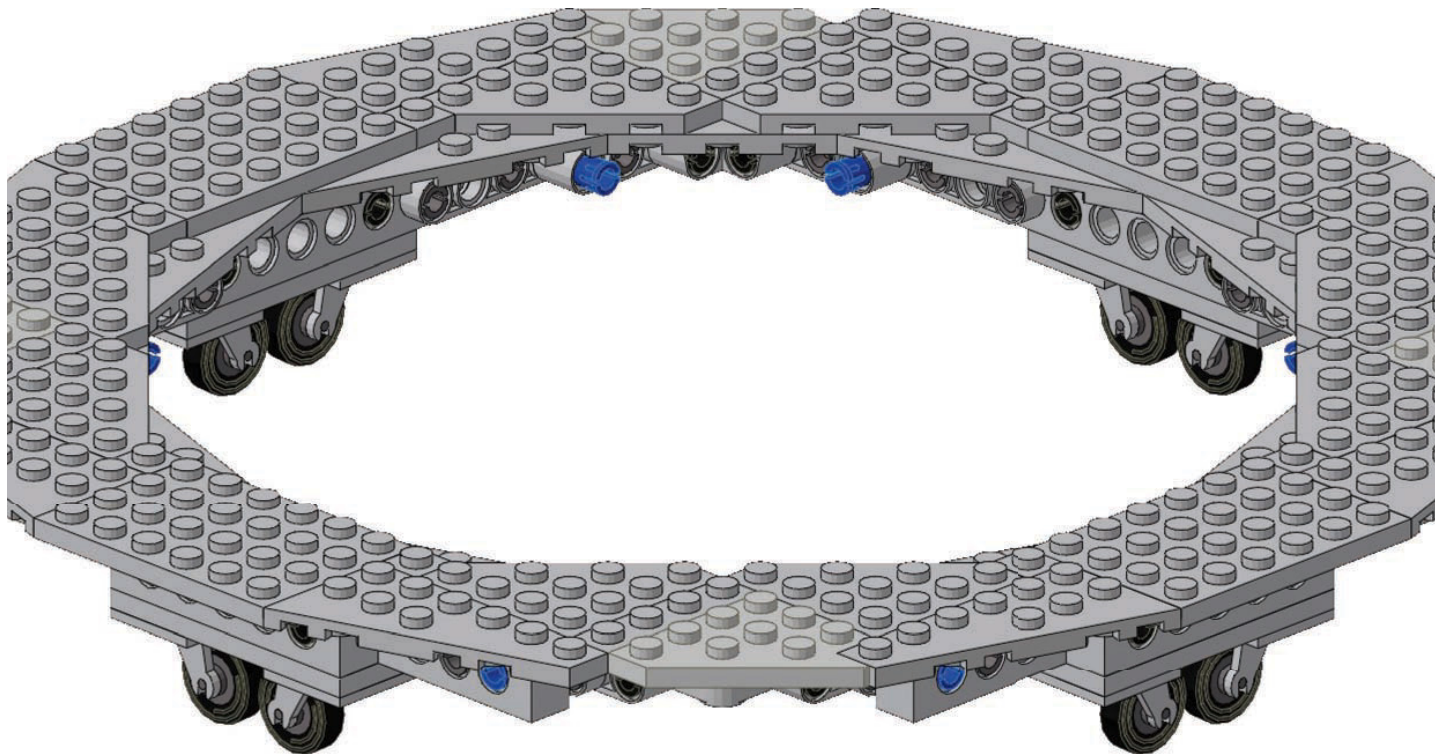
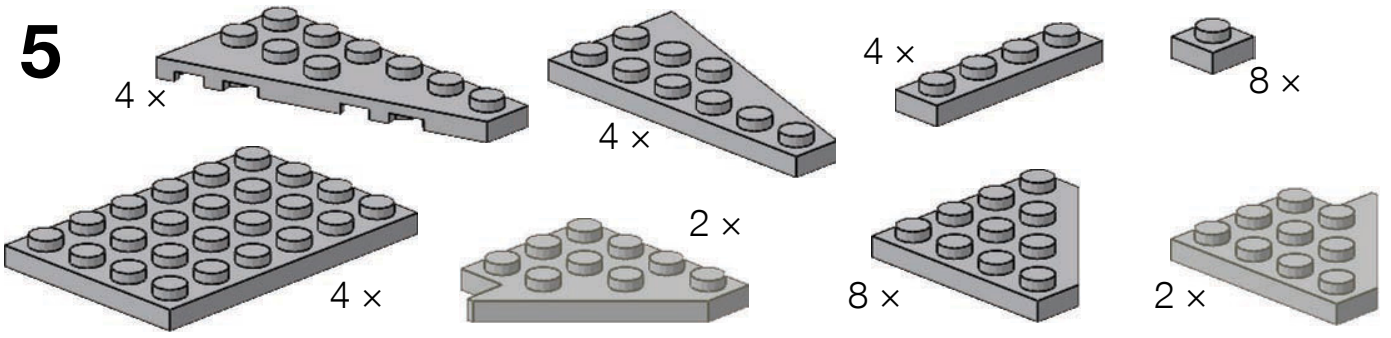
4 x



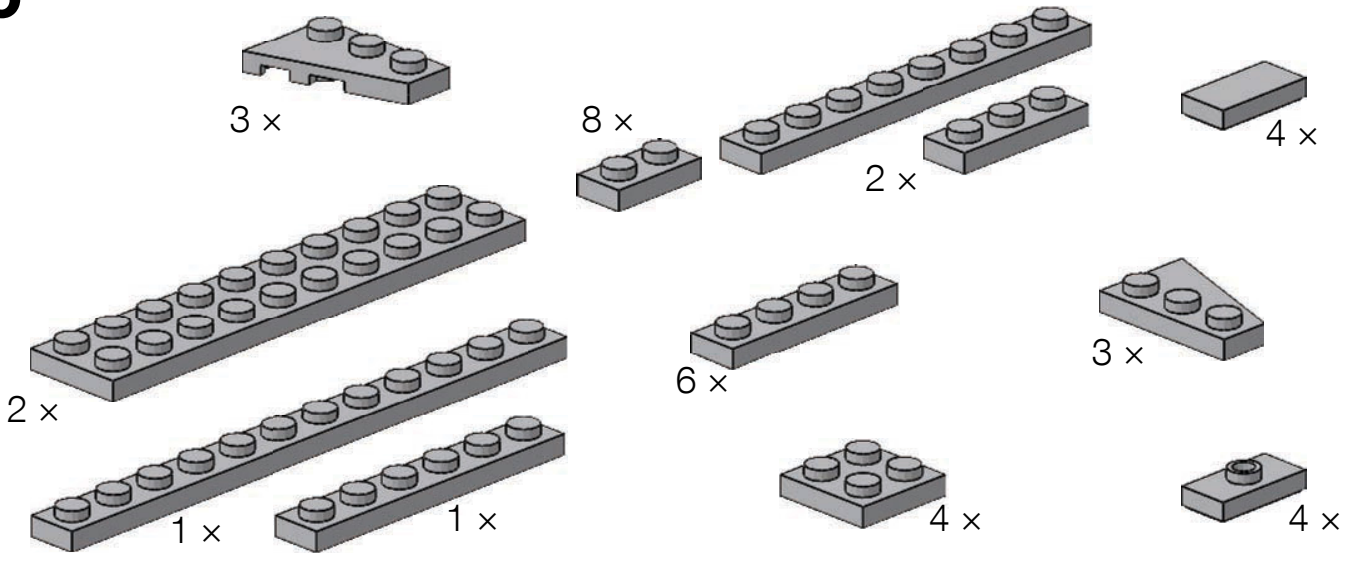
4



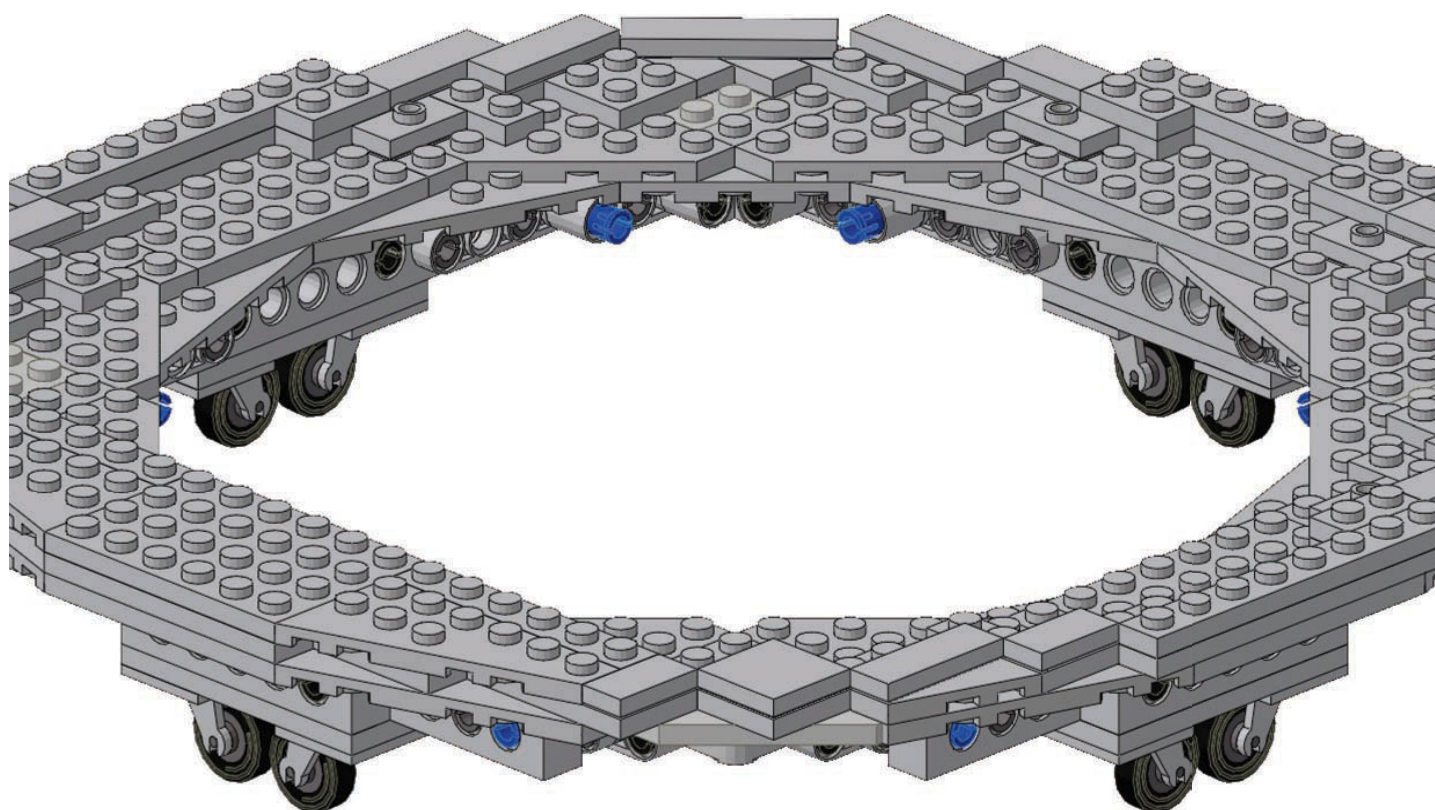
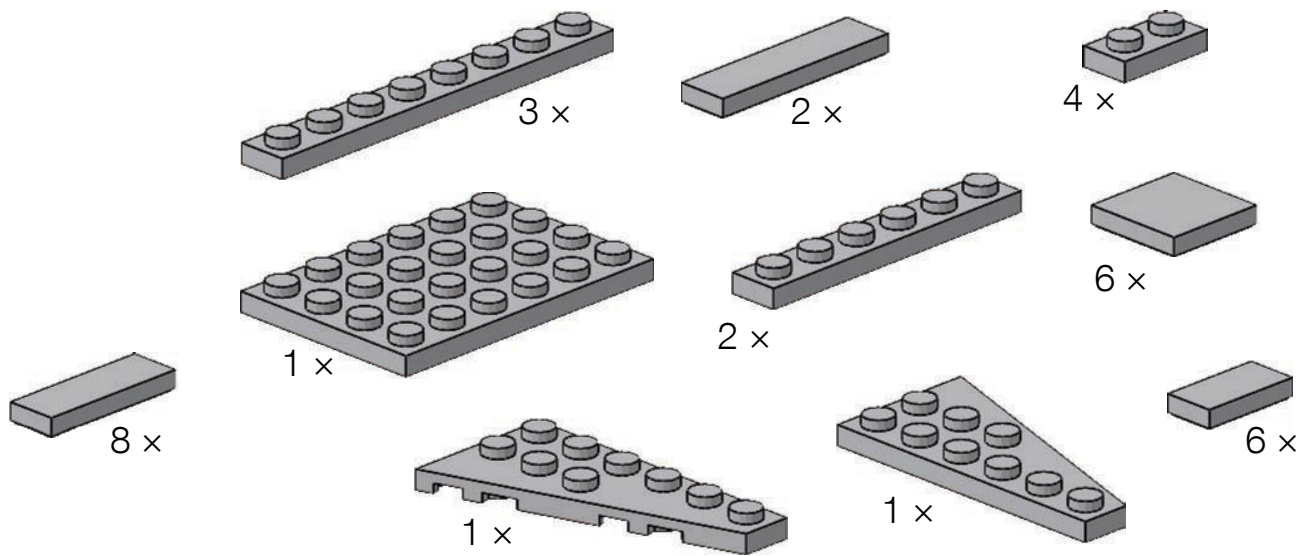
5



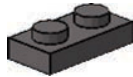
6



7



8



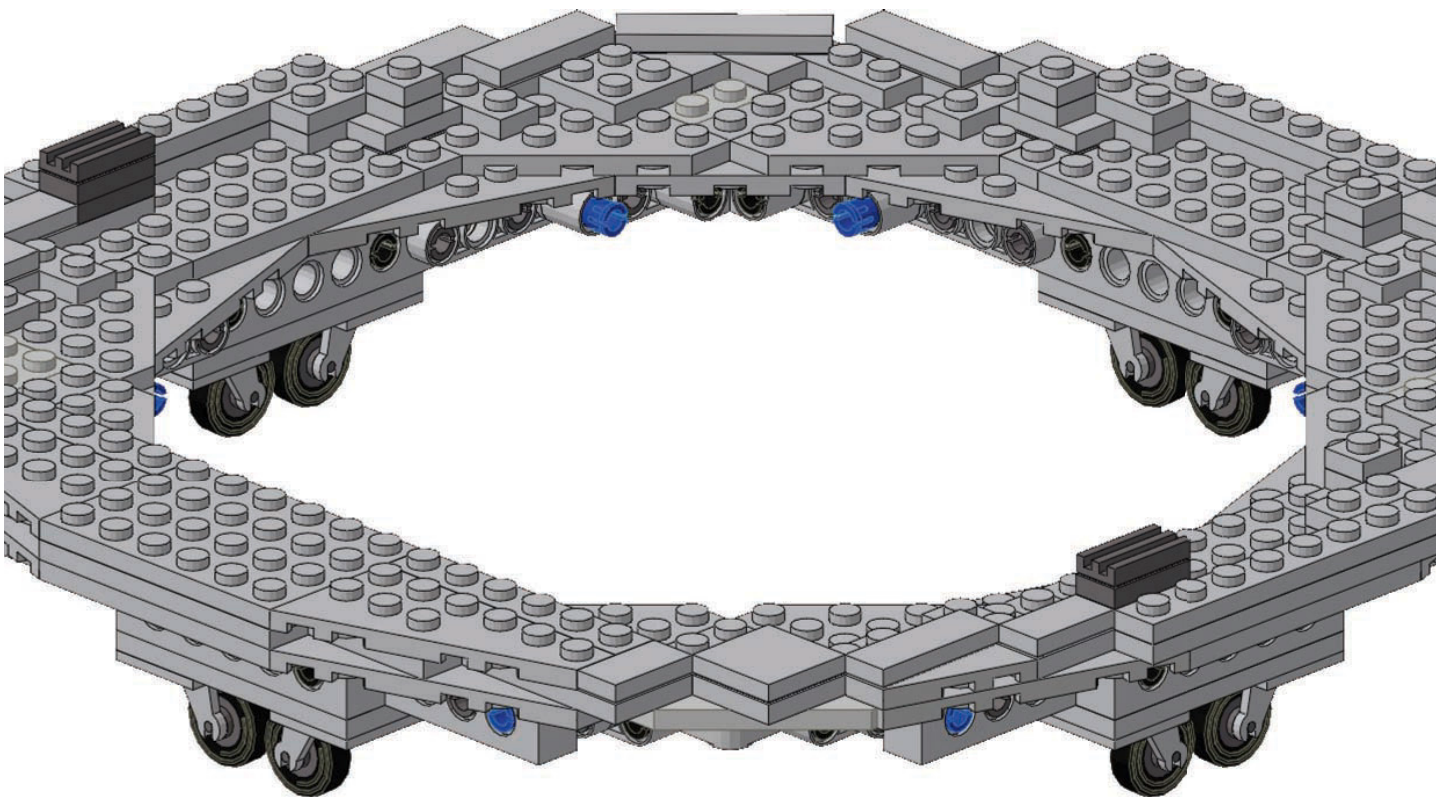
4 x



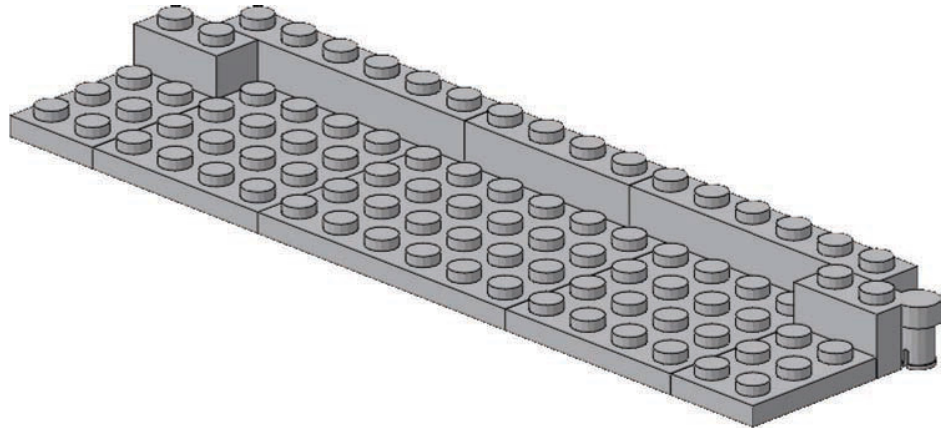
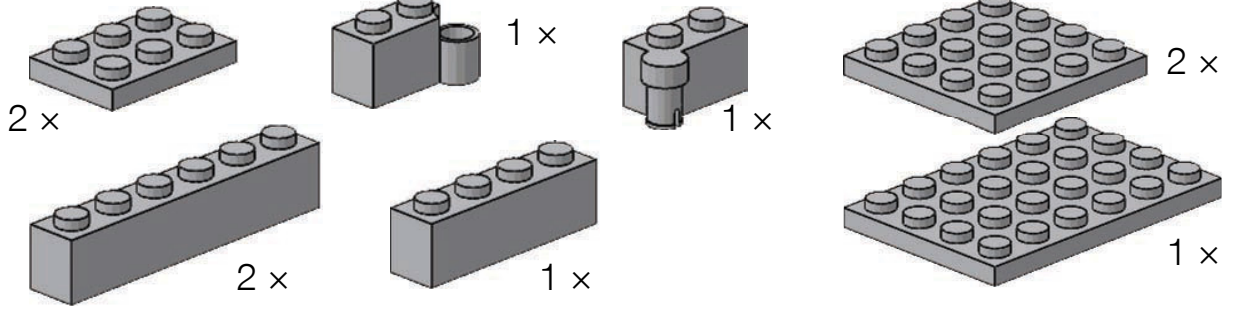
2 x



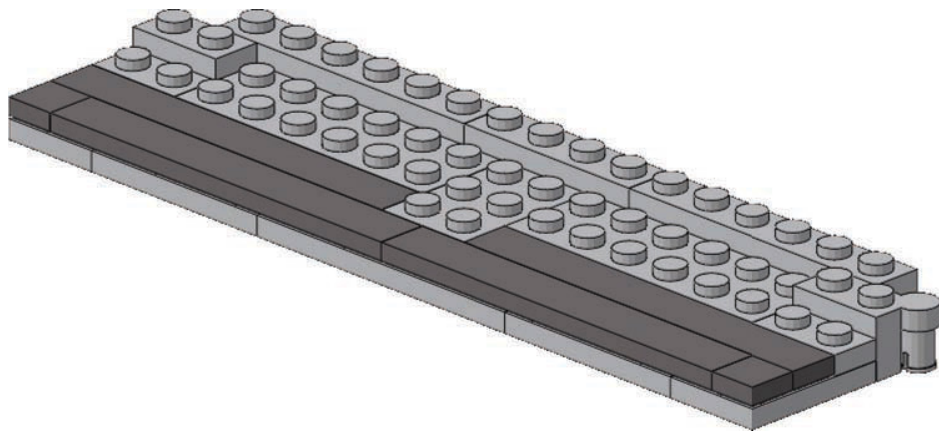
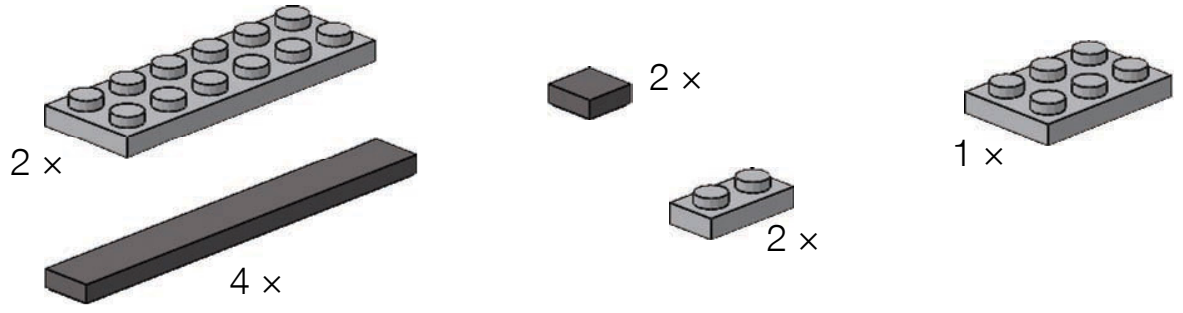
8 x



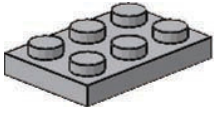
1



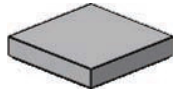
2



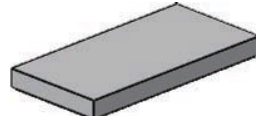
3



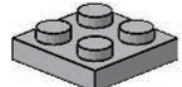
1 x



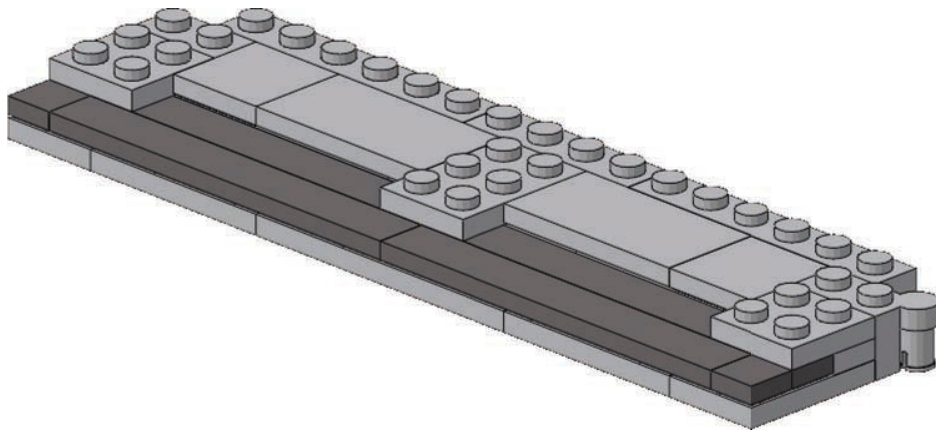
2 x



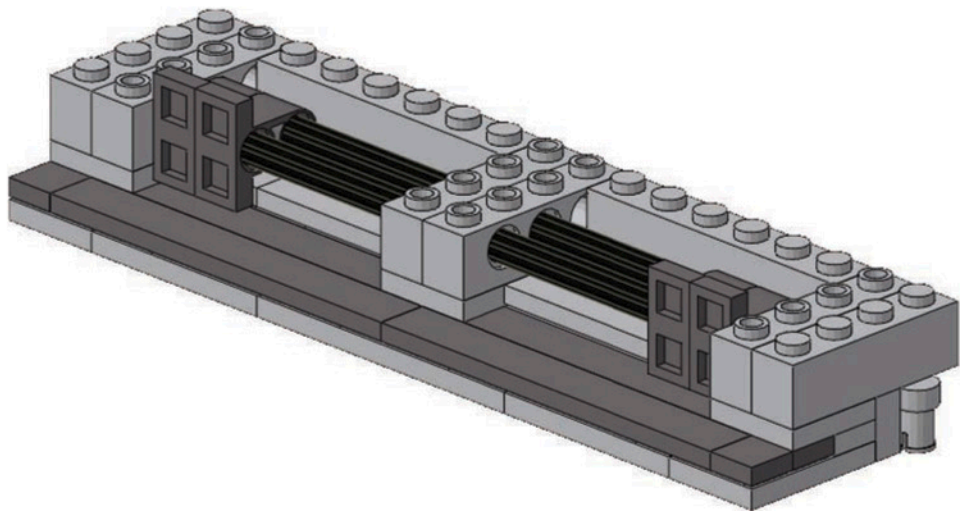
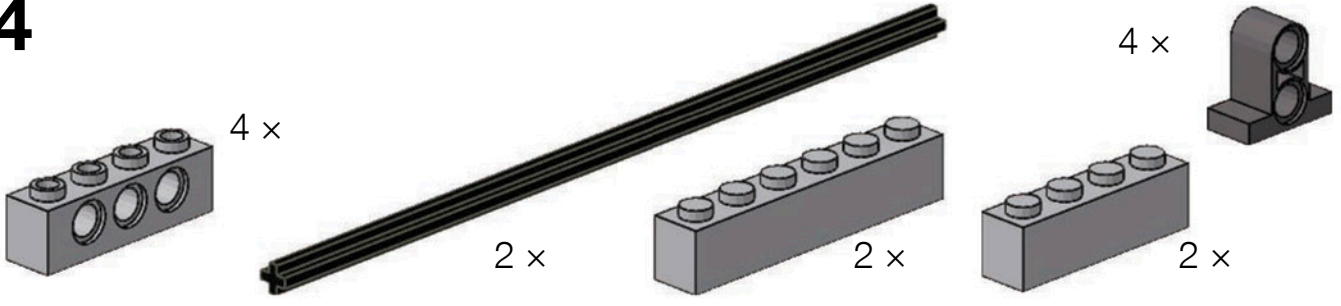
2 x



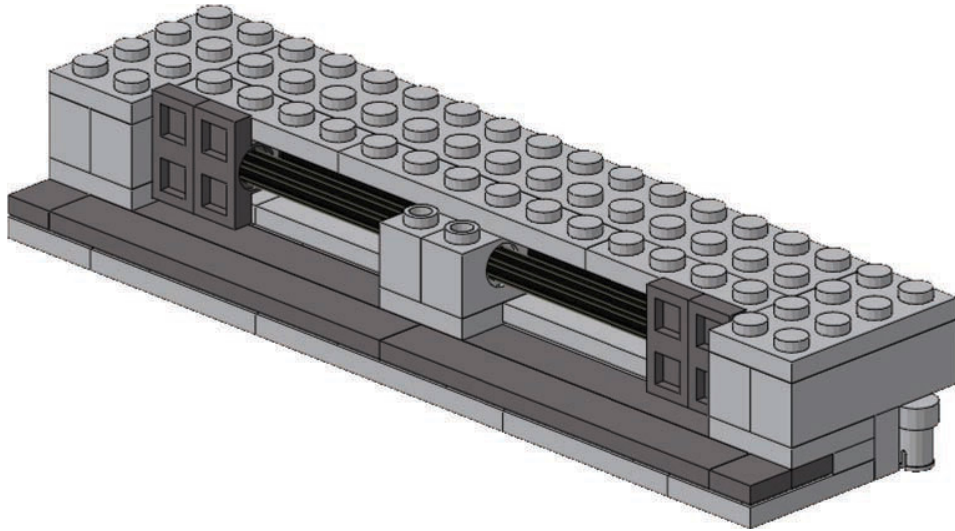
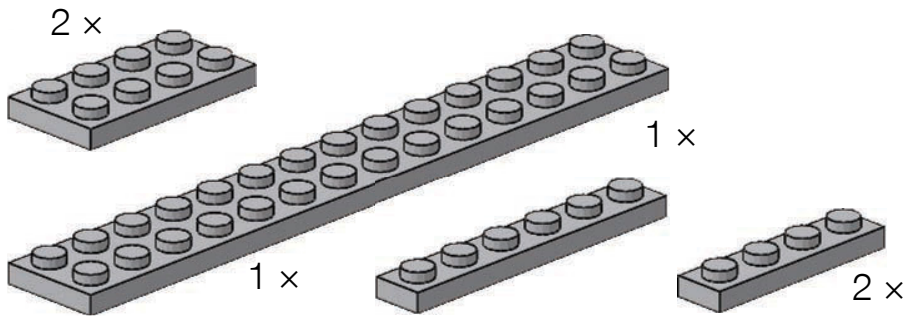
2 x



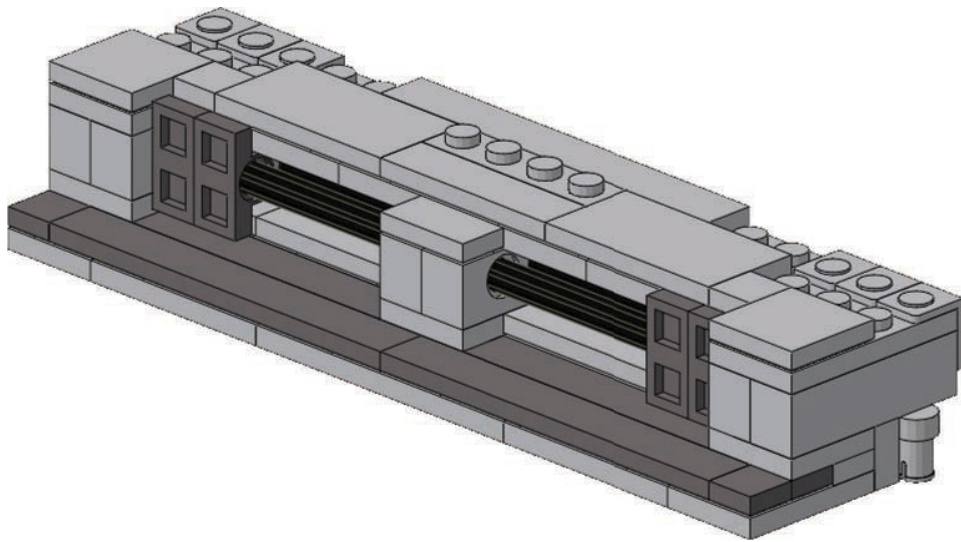
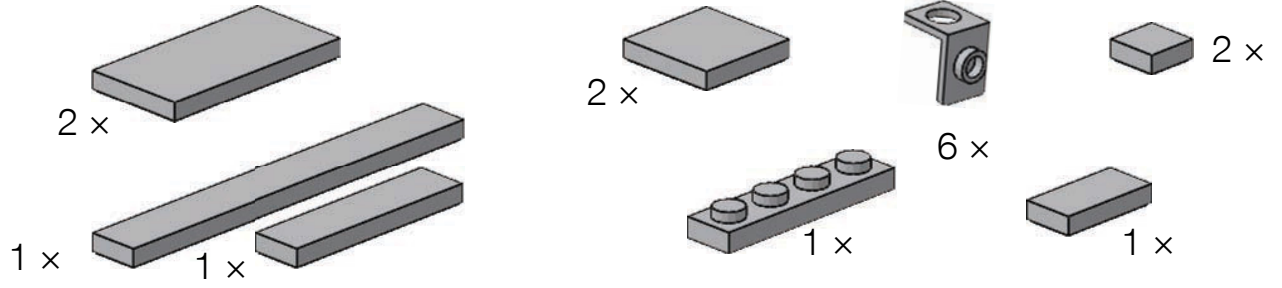
4



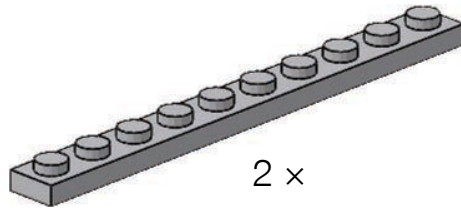
5



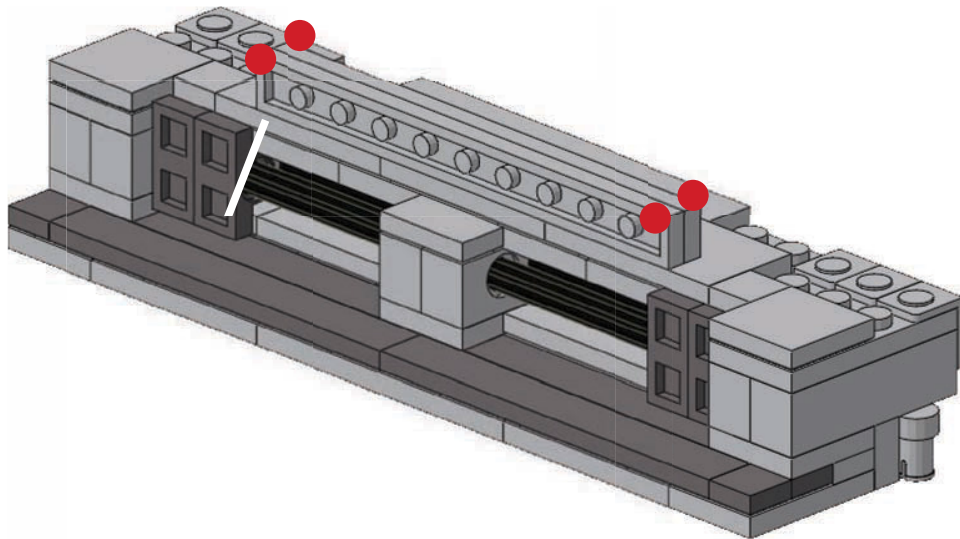
6



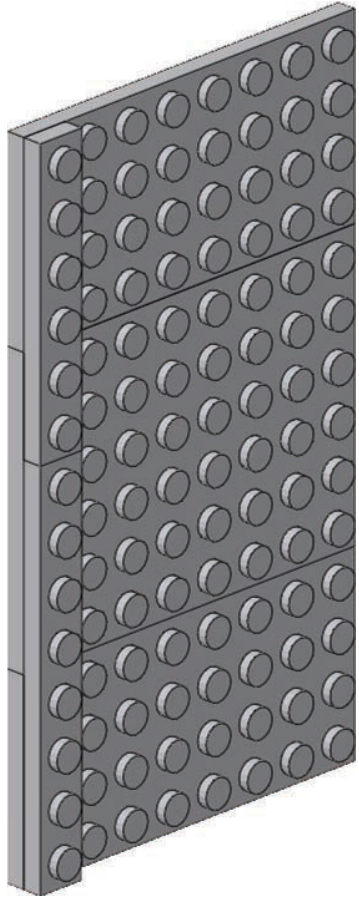
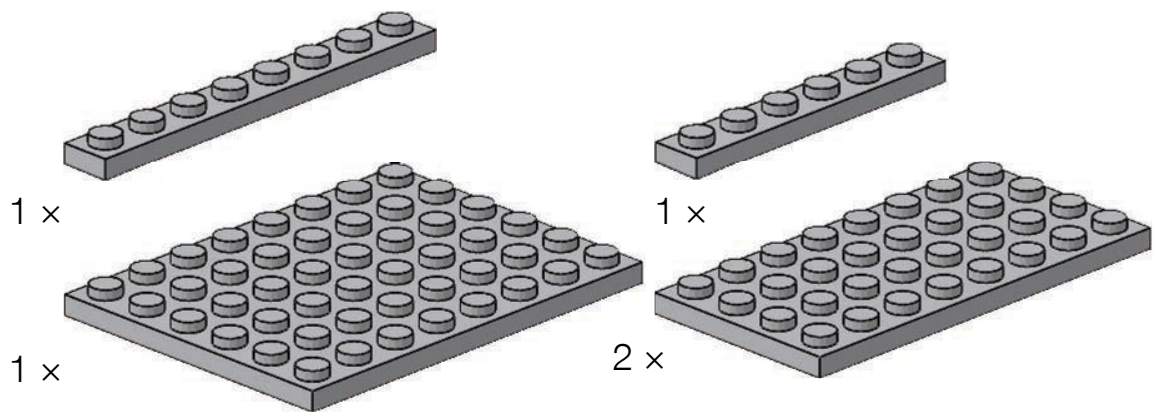
7



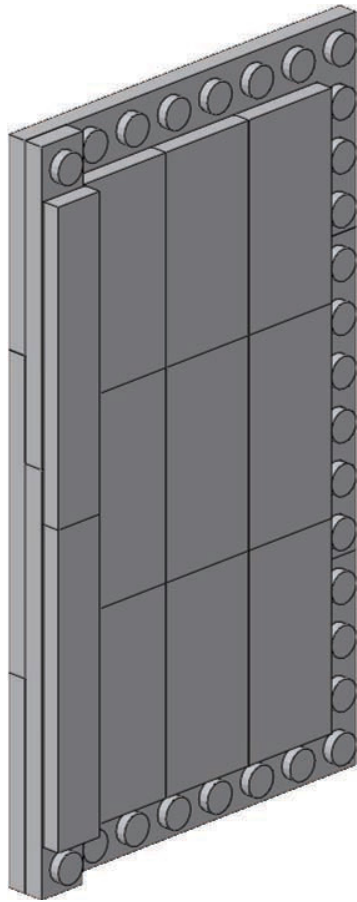
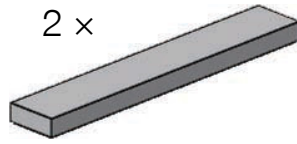
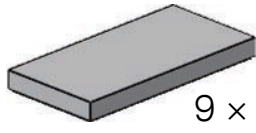
Glue to parts
on next pages ●



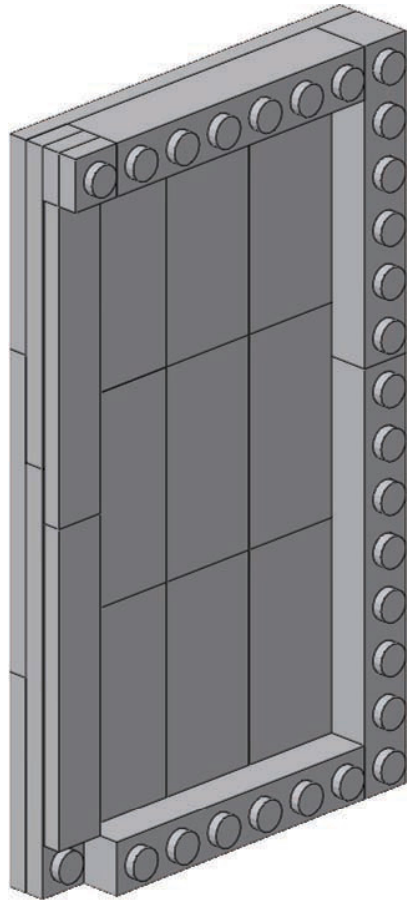
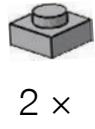
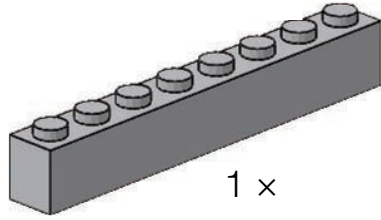
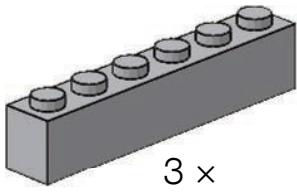
1



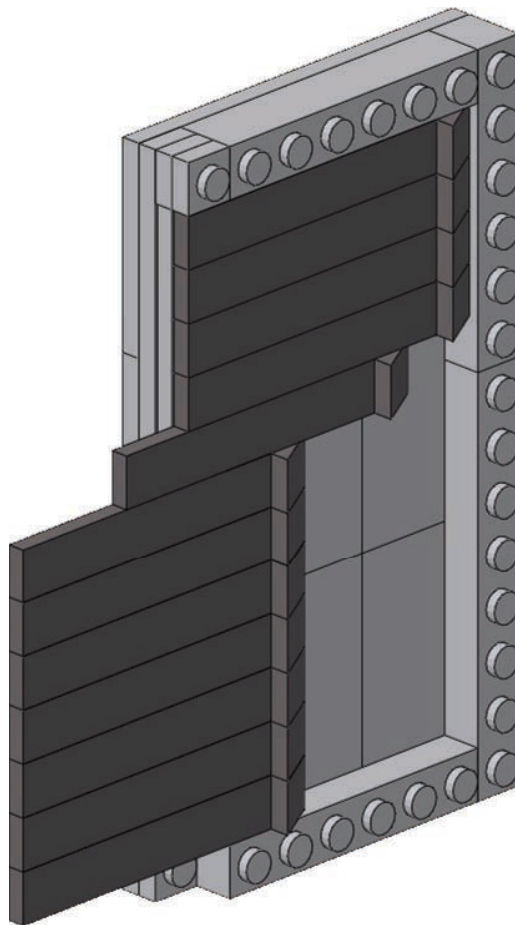
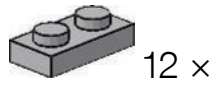
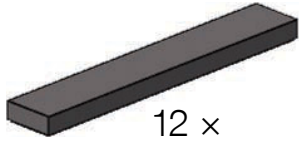
2



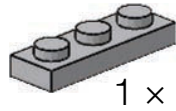
3



4



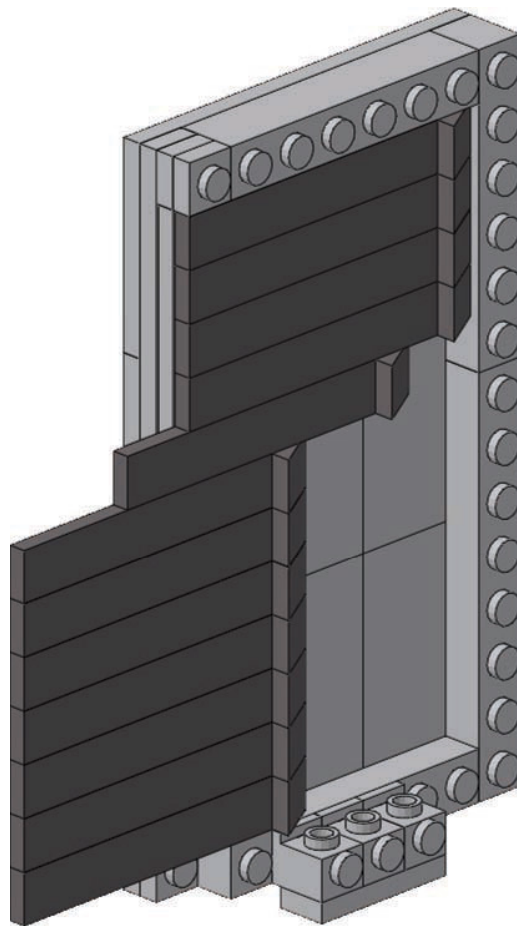
5



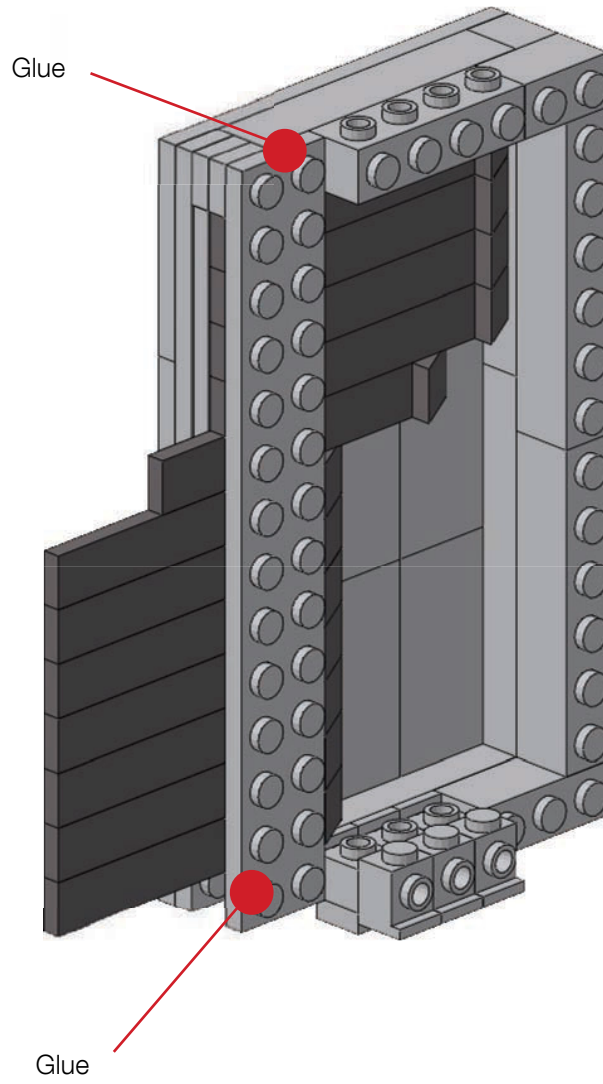
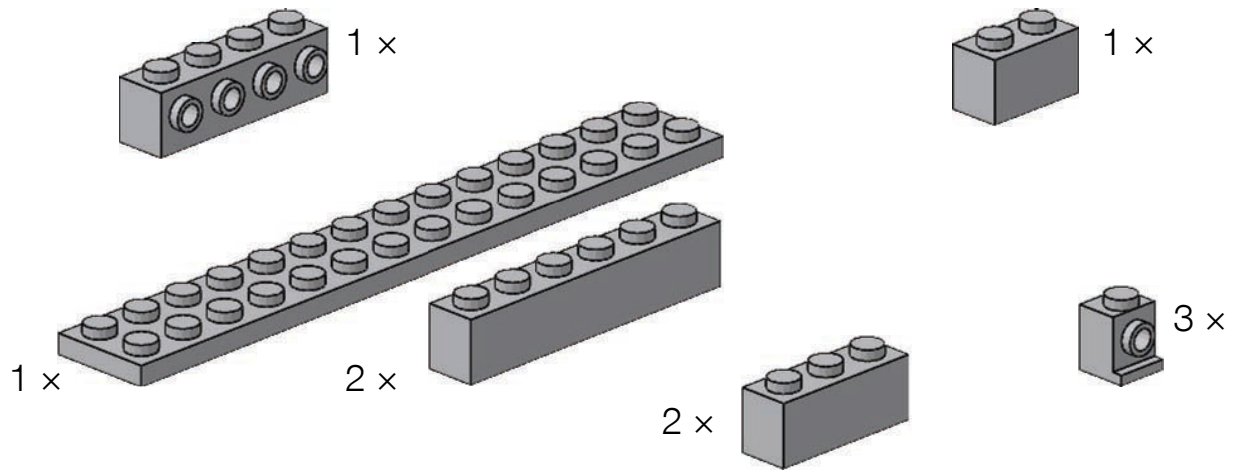
1 x



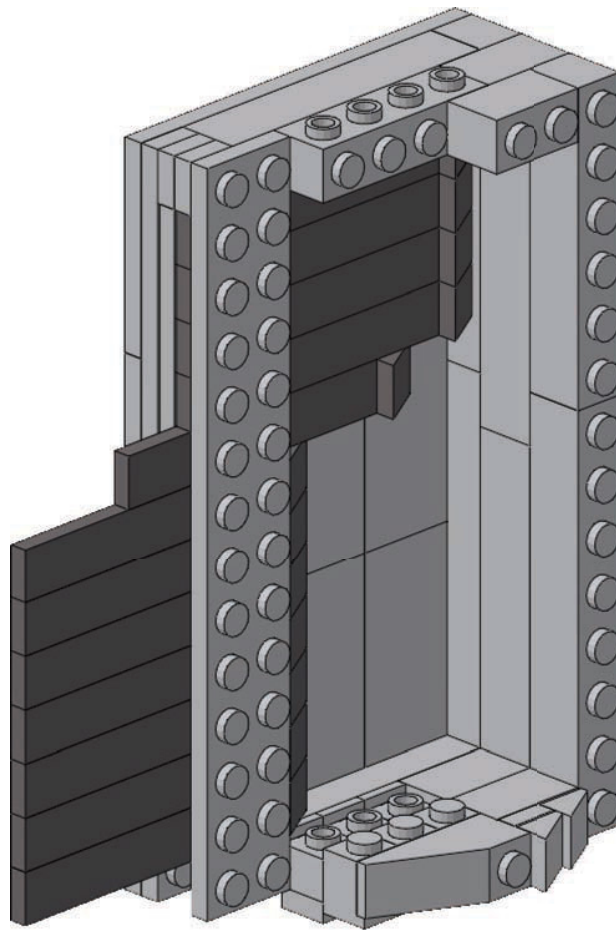
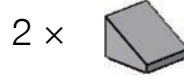
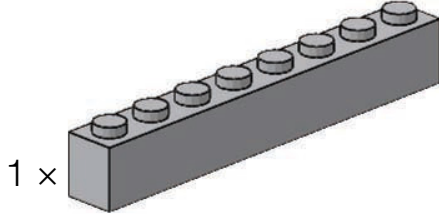
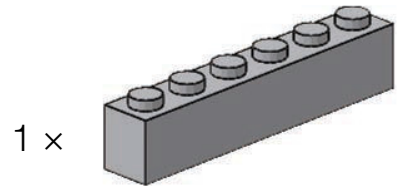
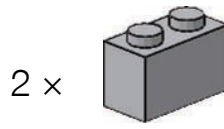
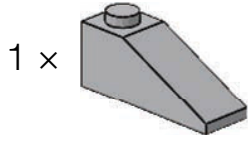
3 x



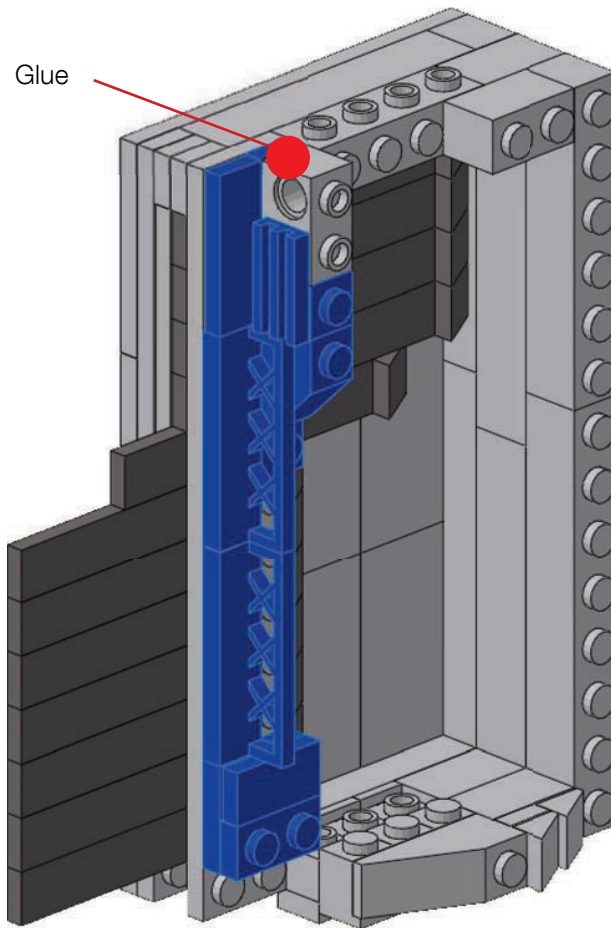
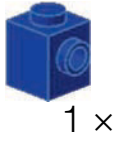
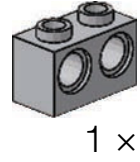
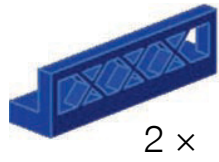
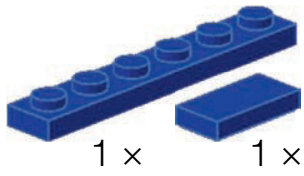
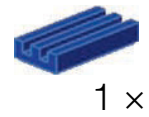
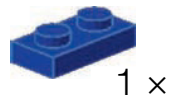
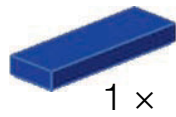
6



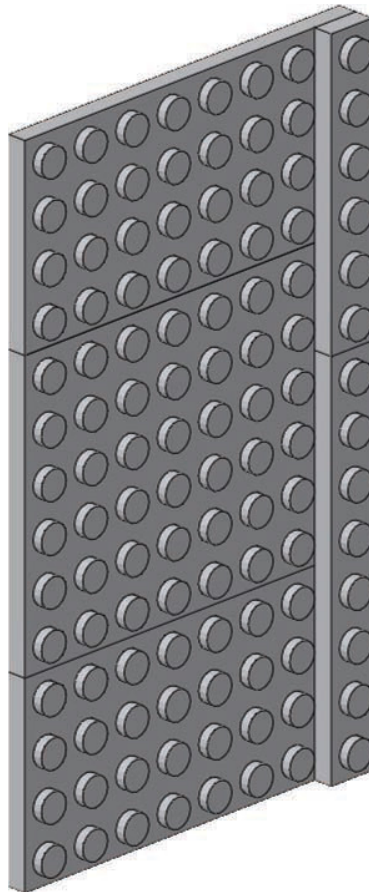
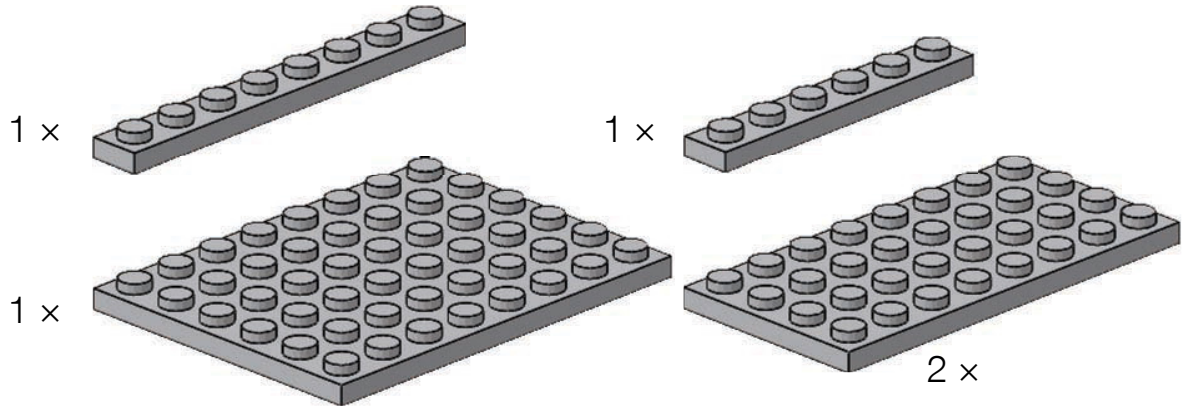
7



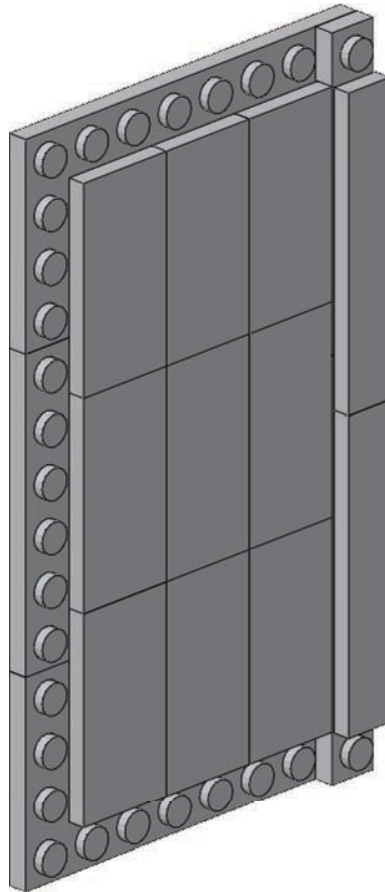
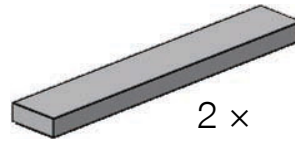
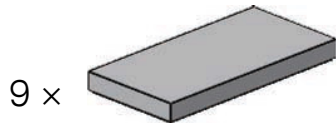
8



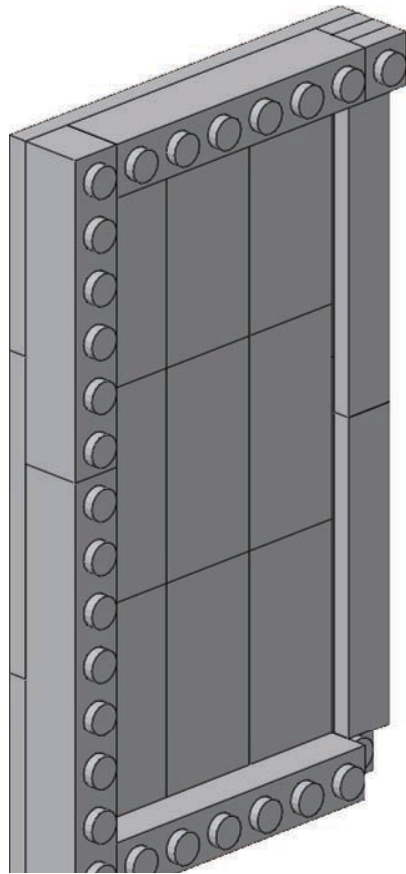
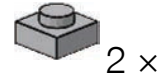
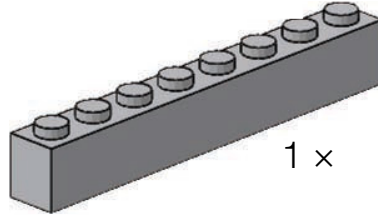
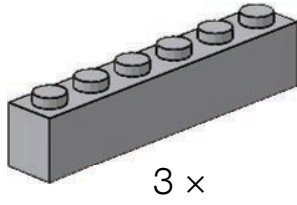
1



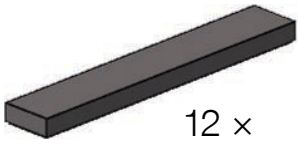
2



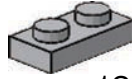
3



4



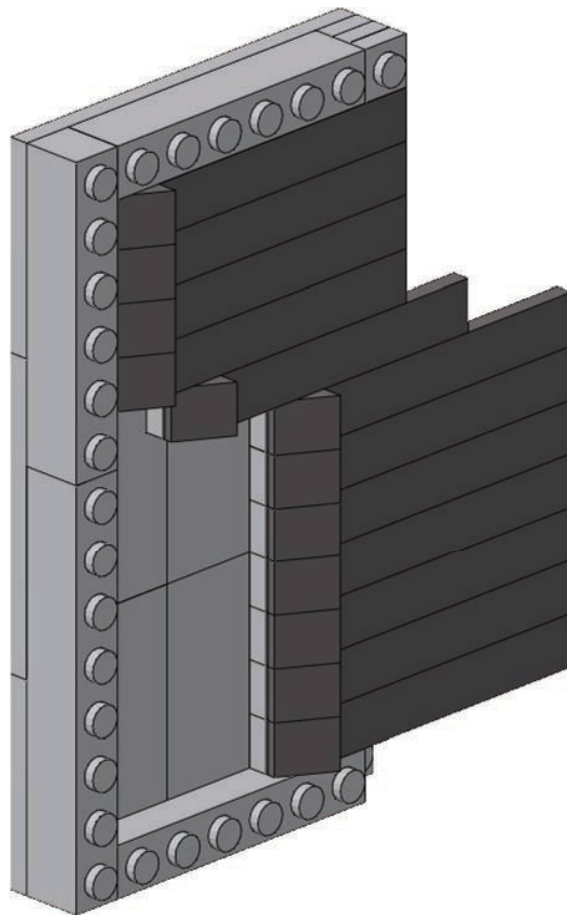
12 x



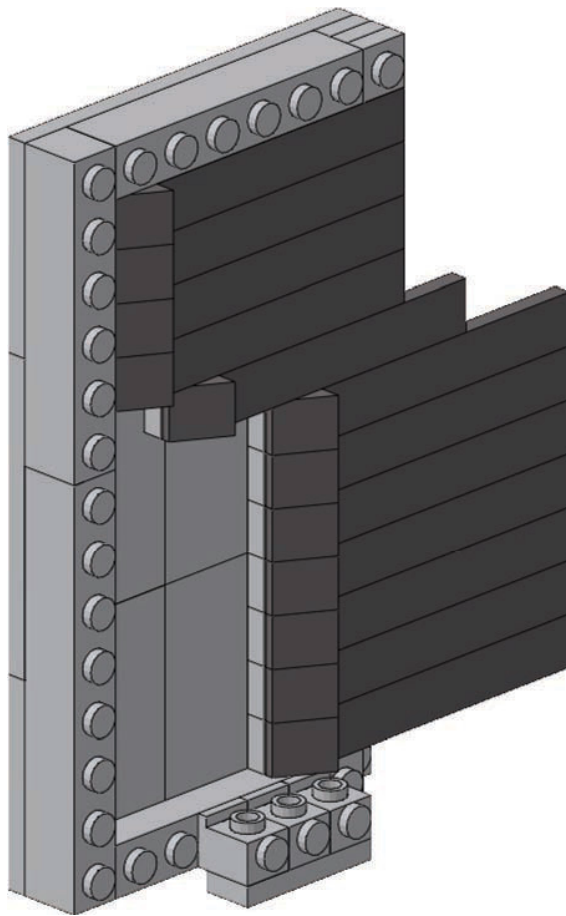
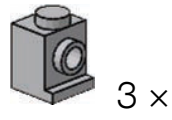
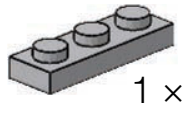
12 x



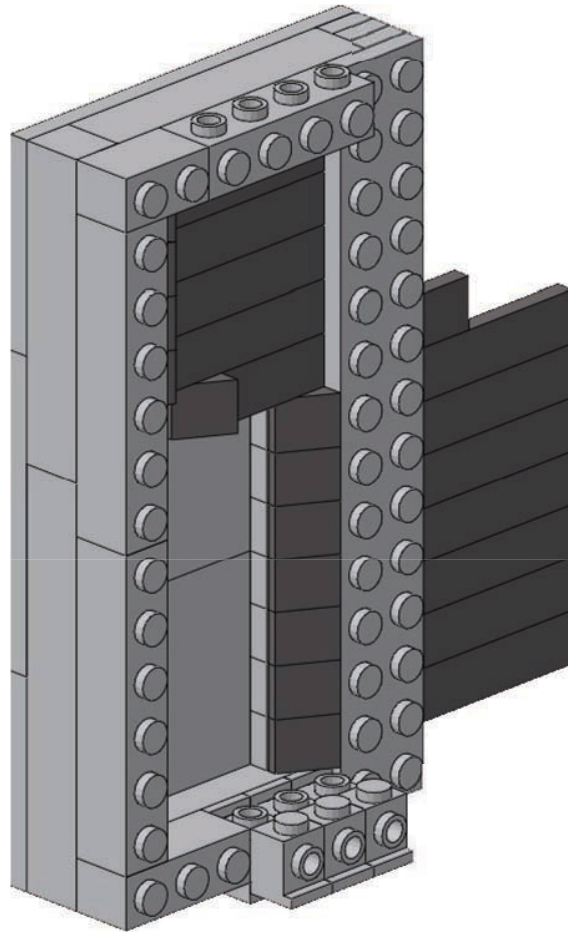
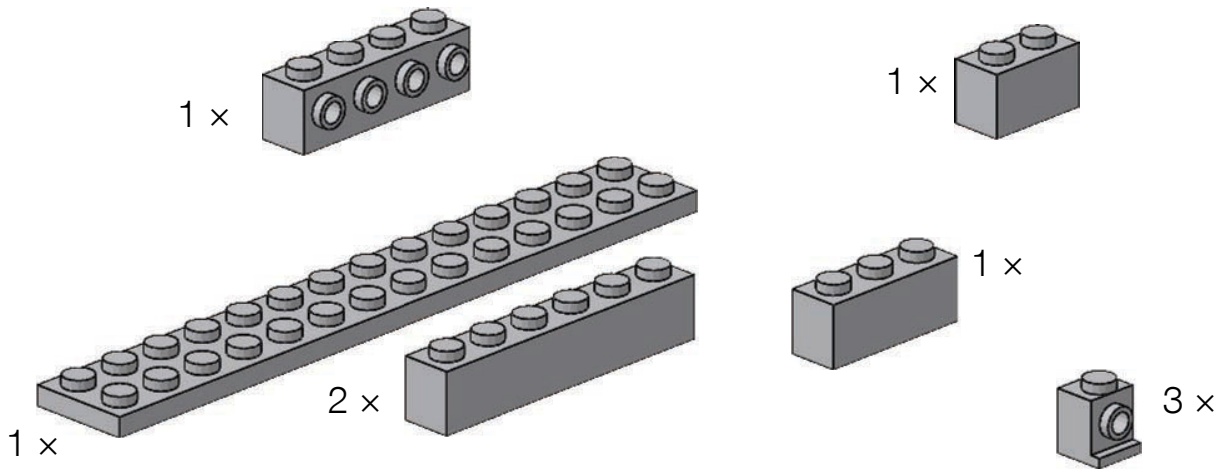
12 x



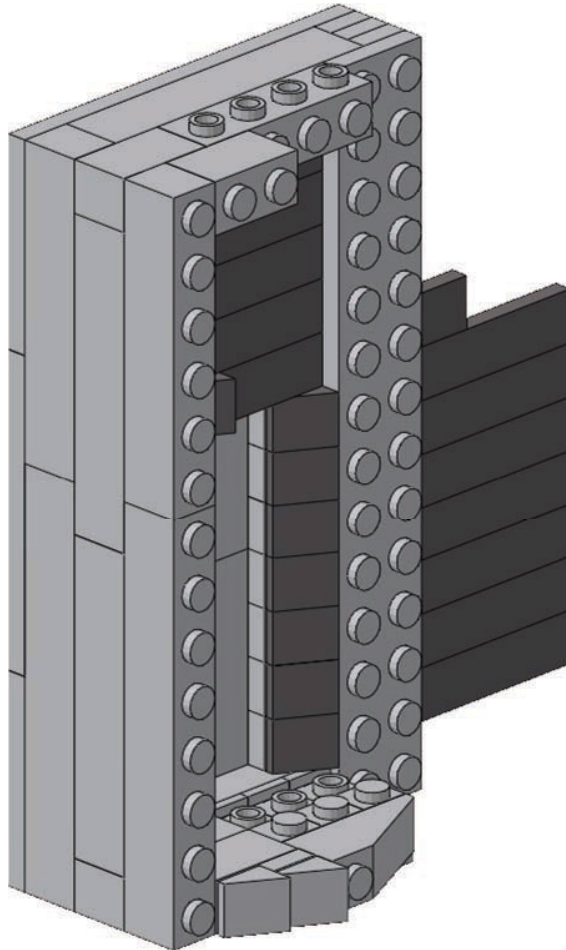
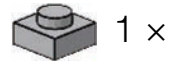
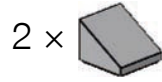
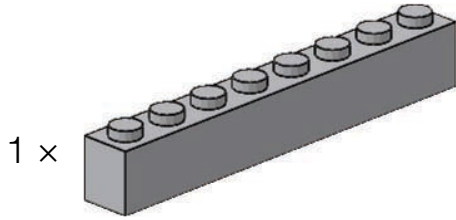
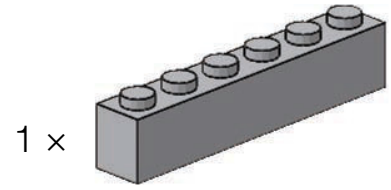
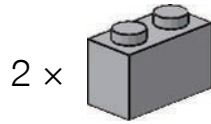
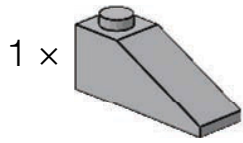
5



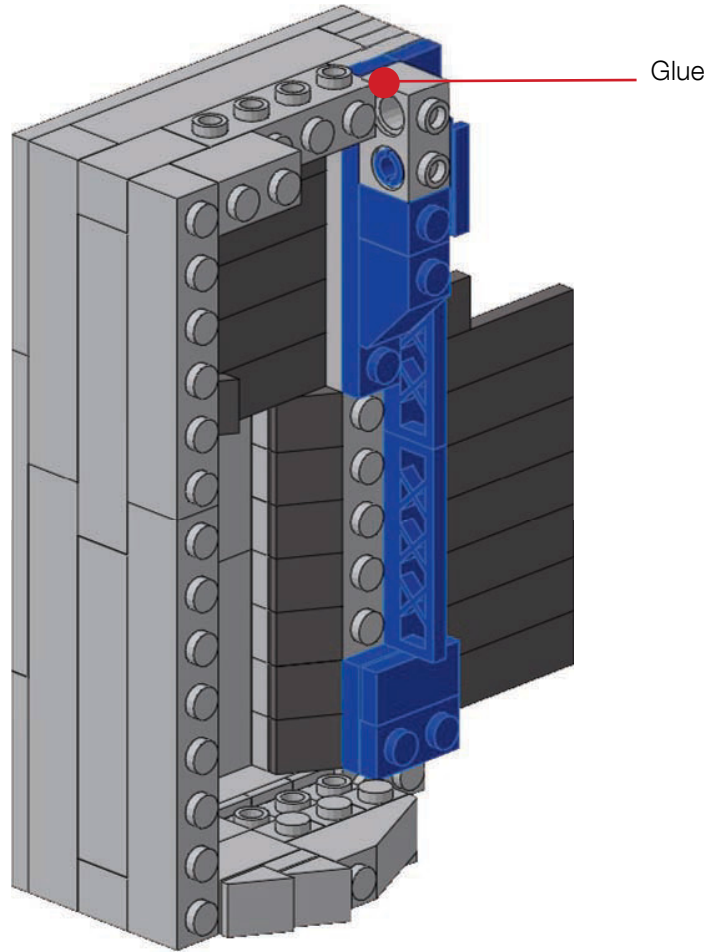
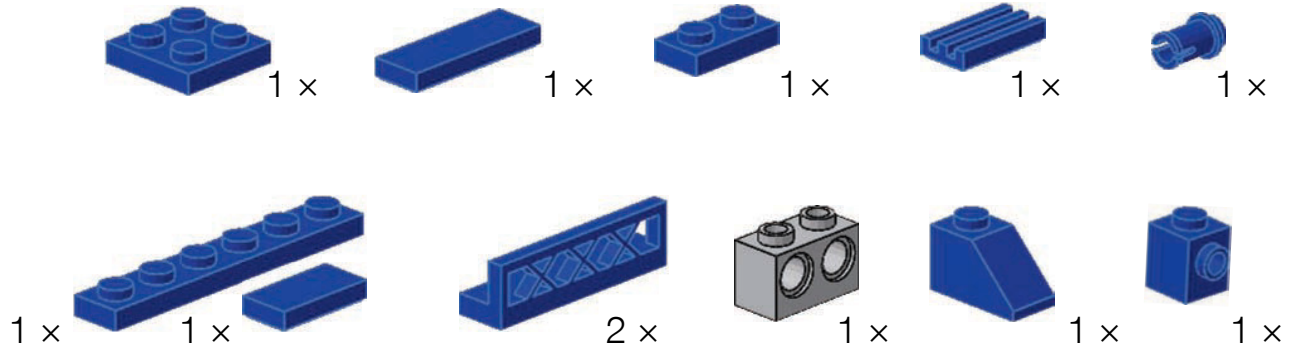
6

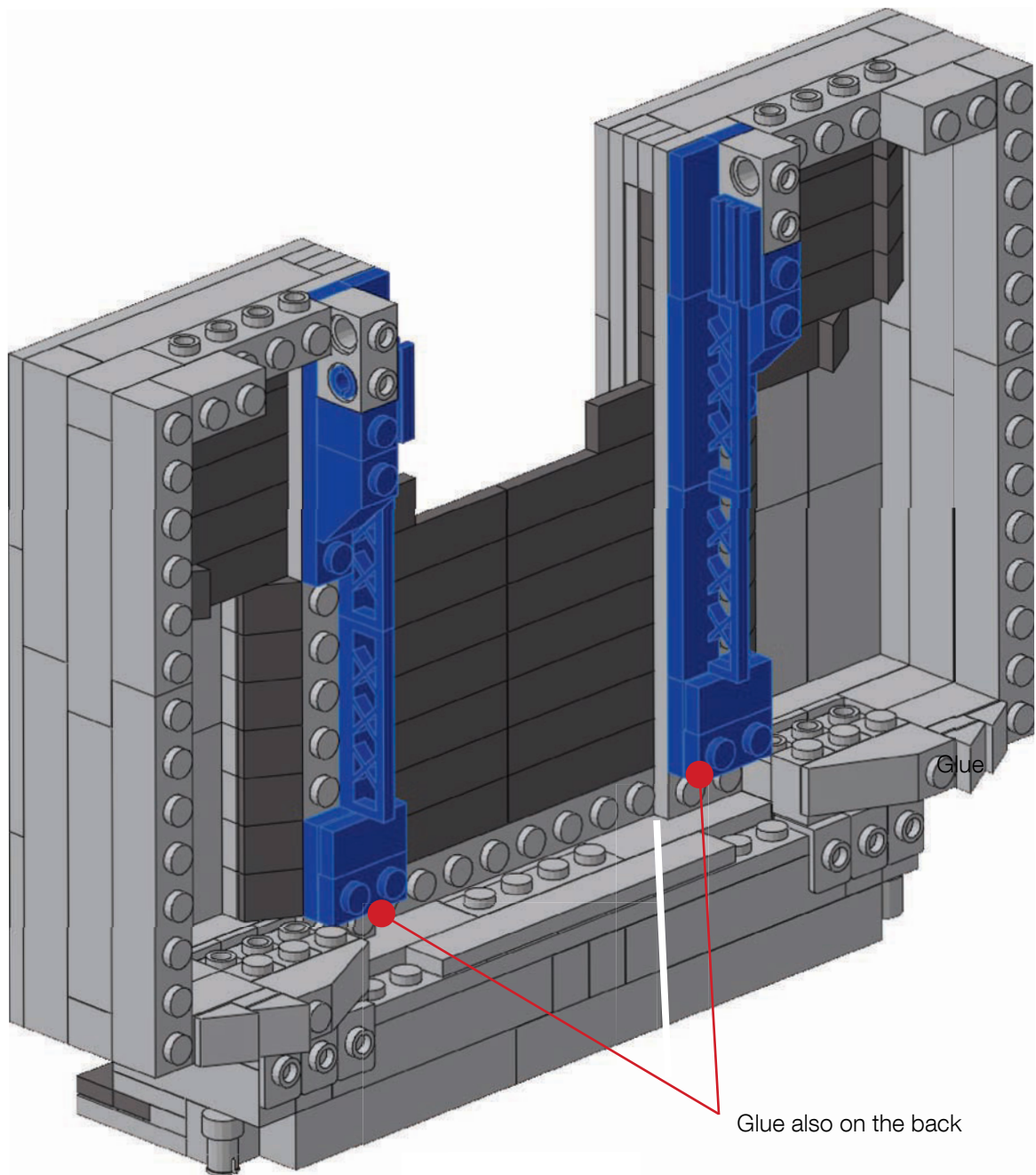


7

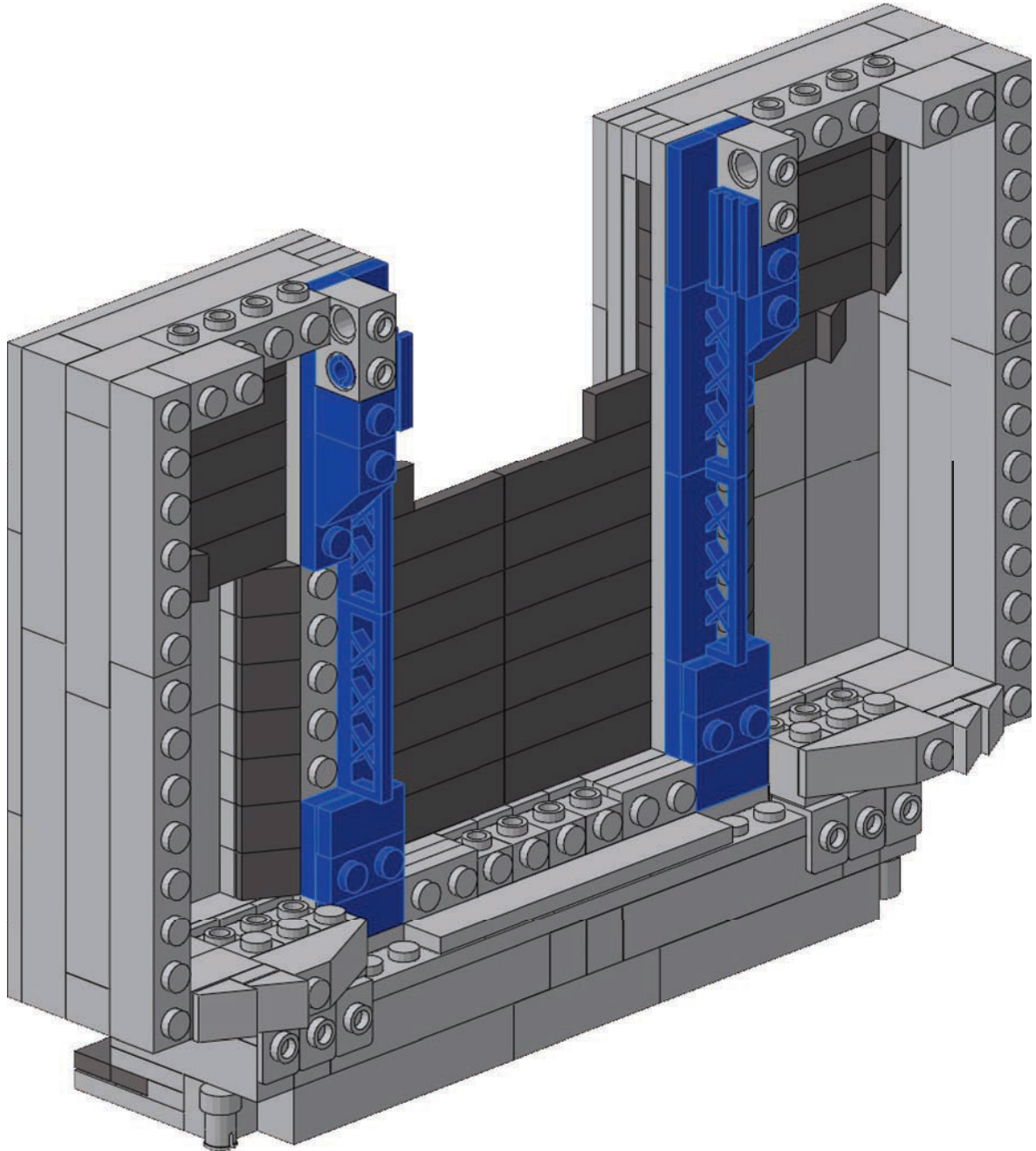
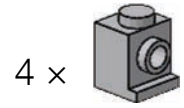
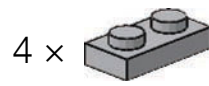
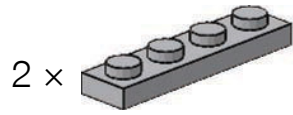


8

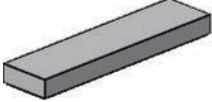

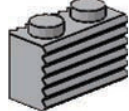

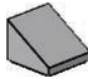


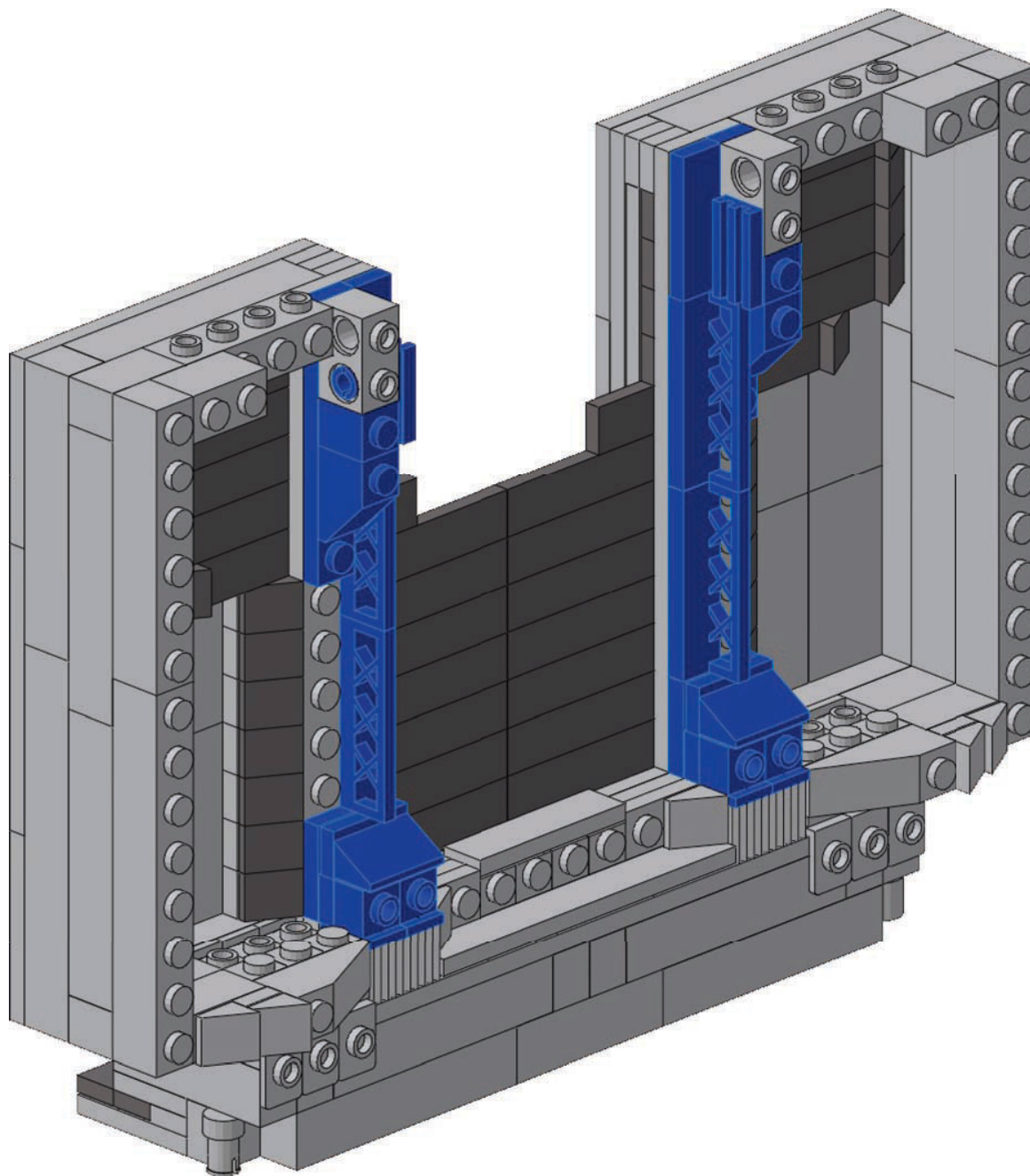


9

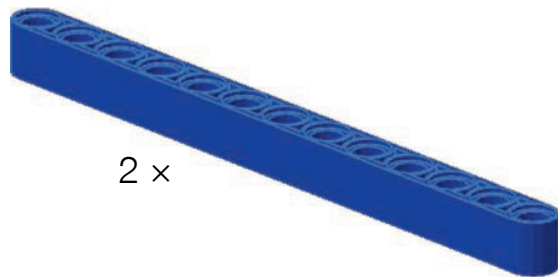


10

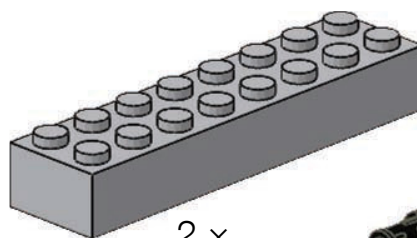
- 1 ×  2 ×  2 ×  4 ×  2 × 



11



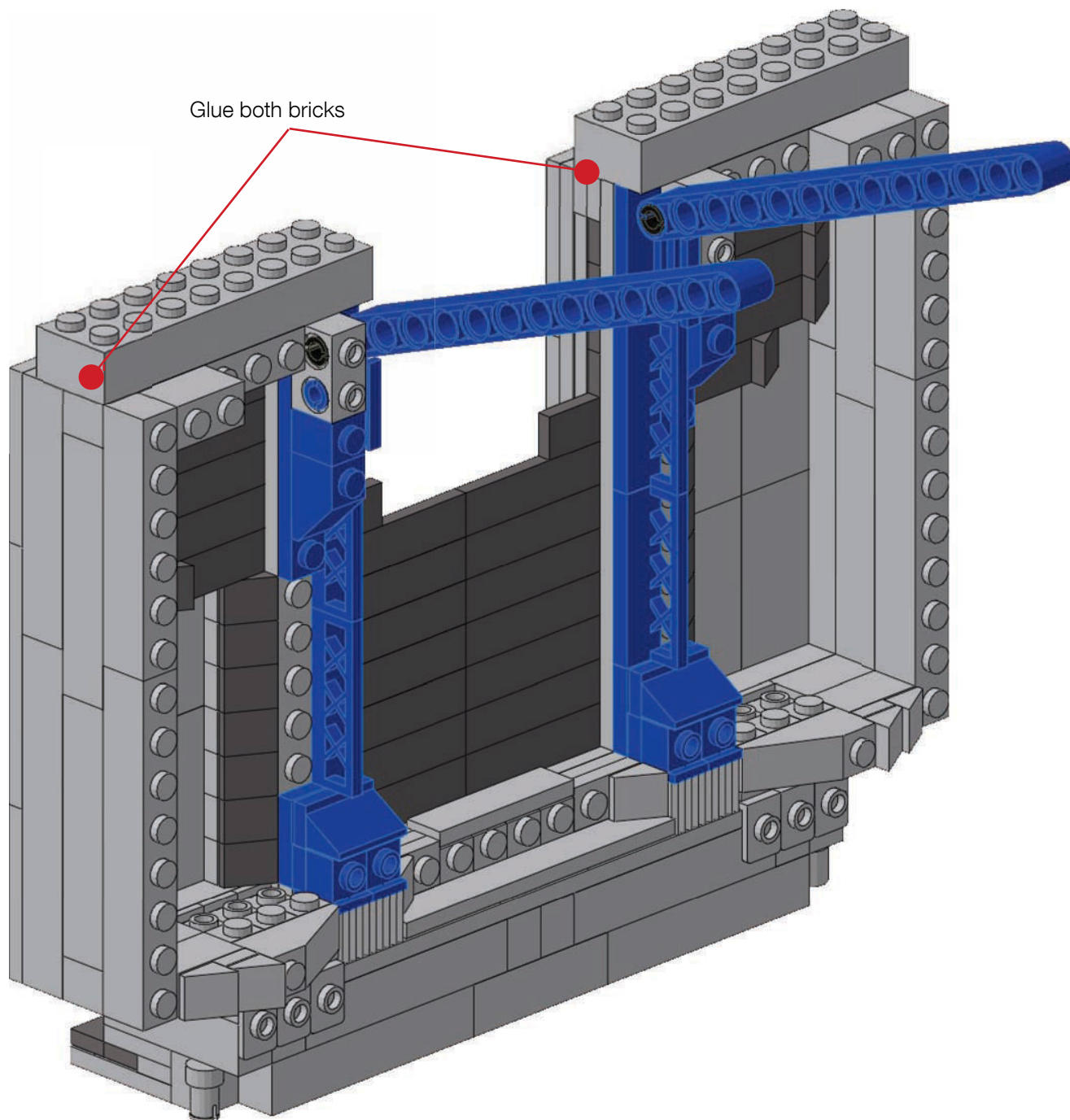
2 x



2 x

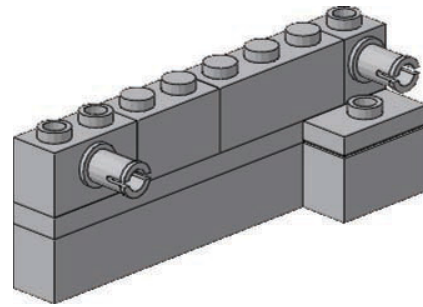
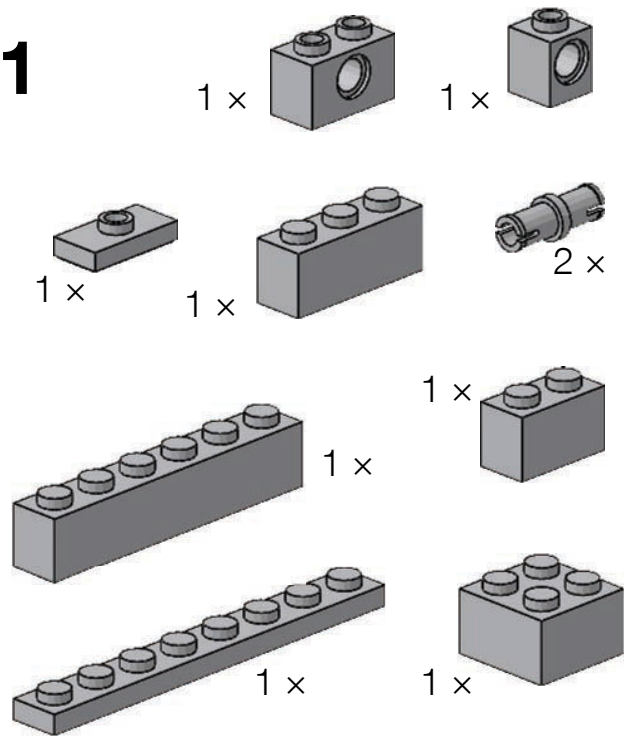


2 x

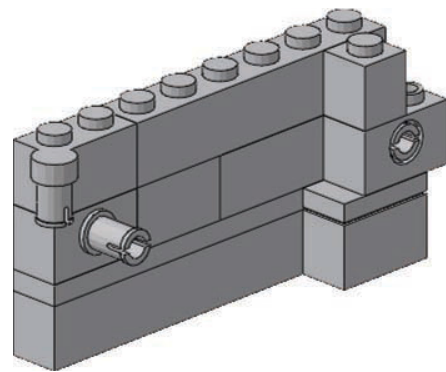
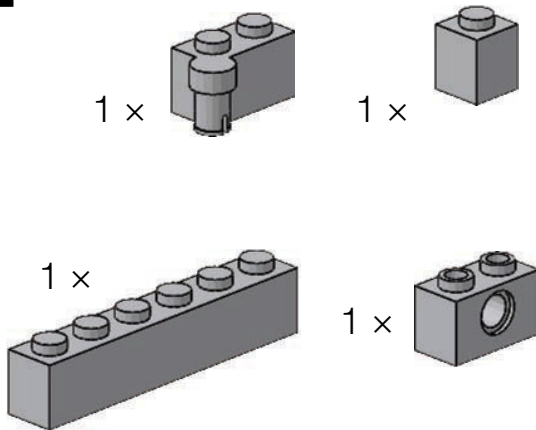


Glue both bricks

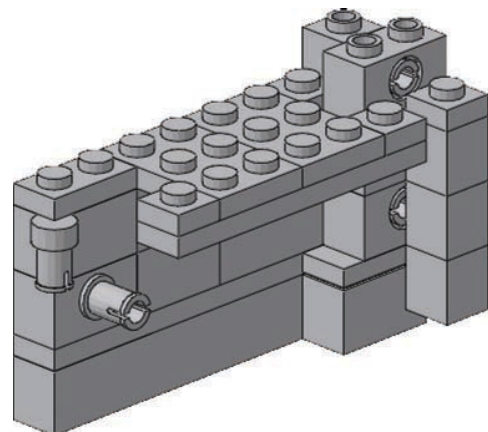
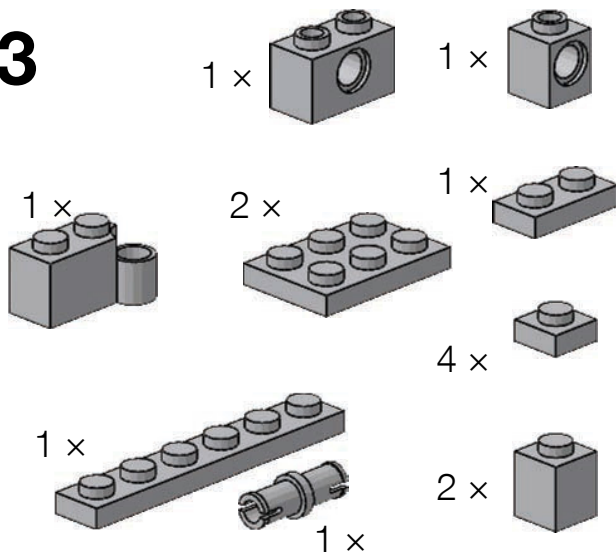
1



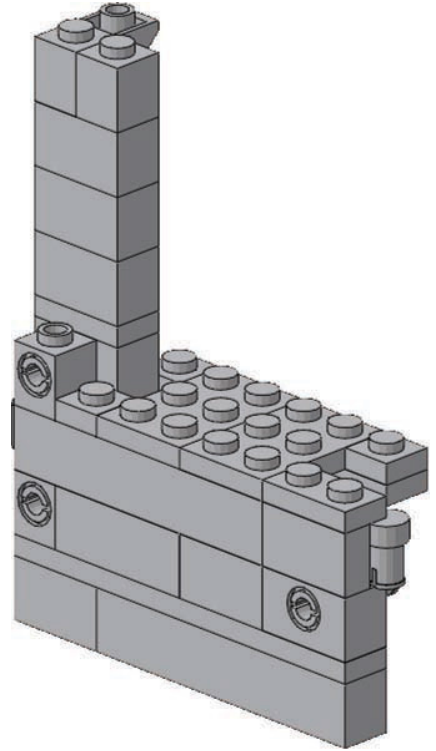
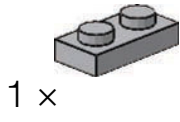
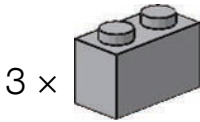
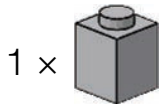
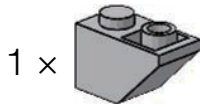
2



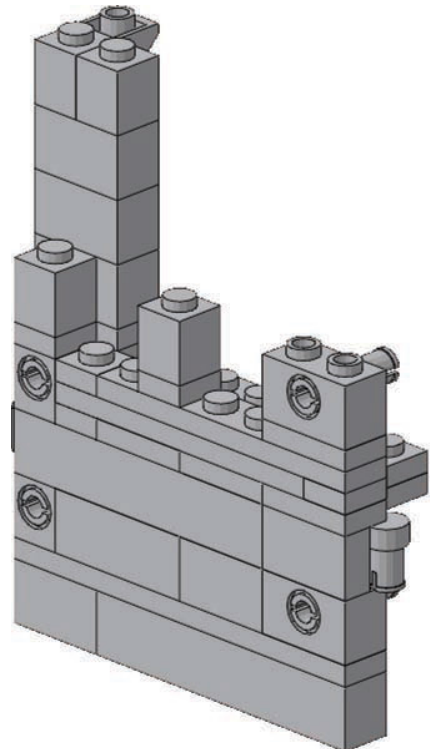
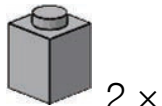
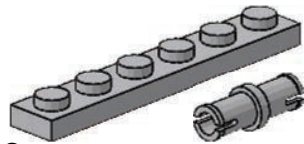
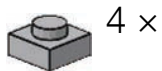
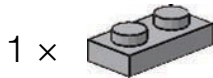
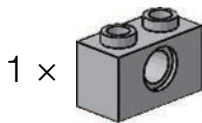
3

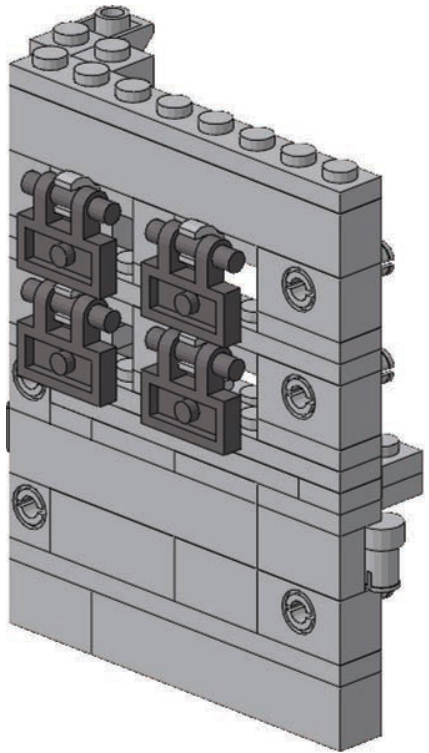
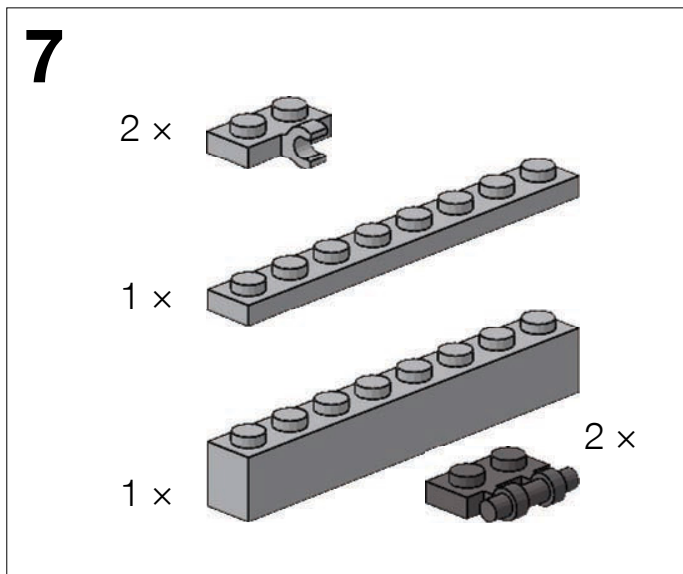
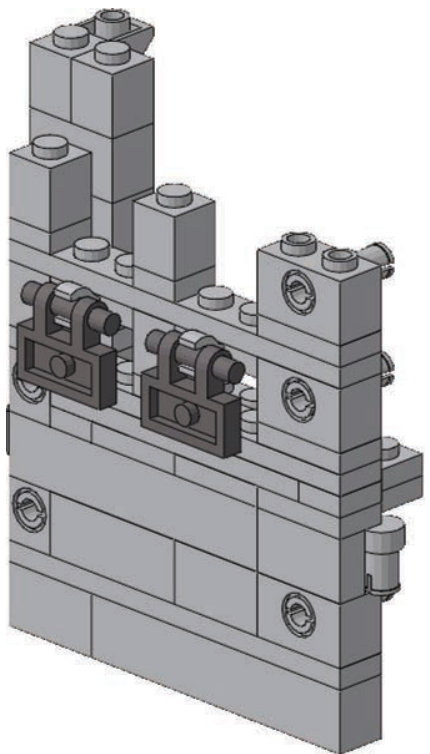
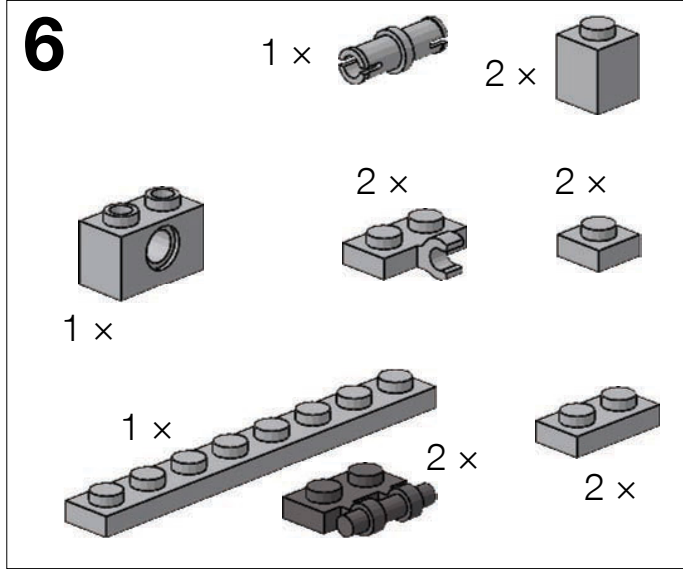


4

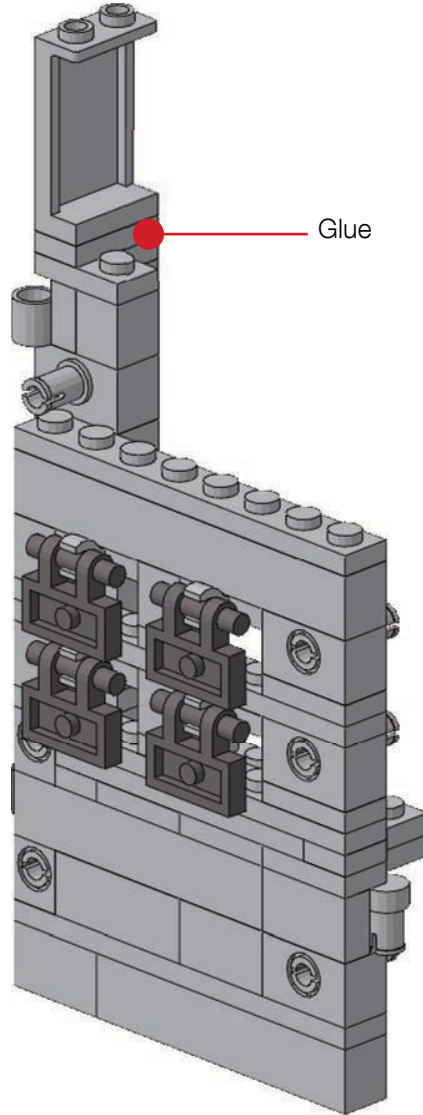
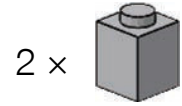
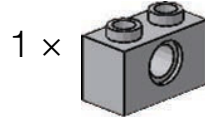
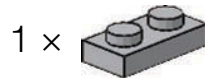
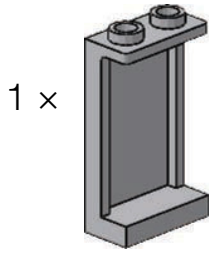
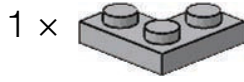
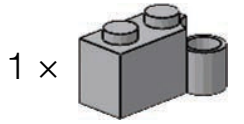


5

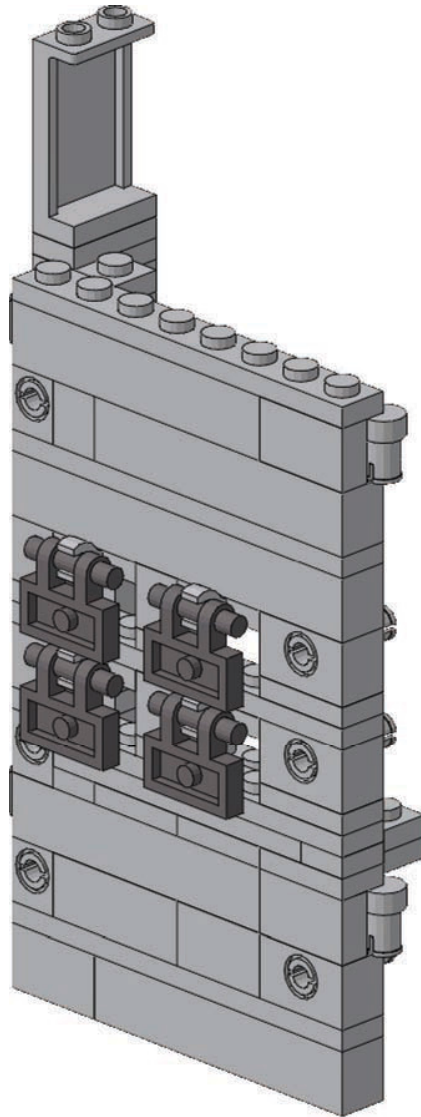
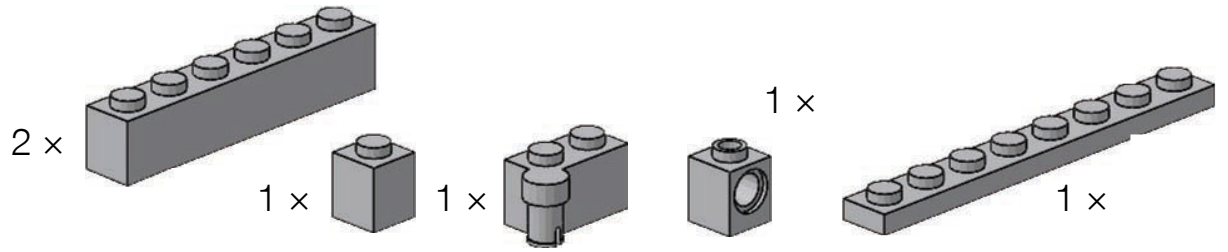




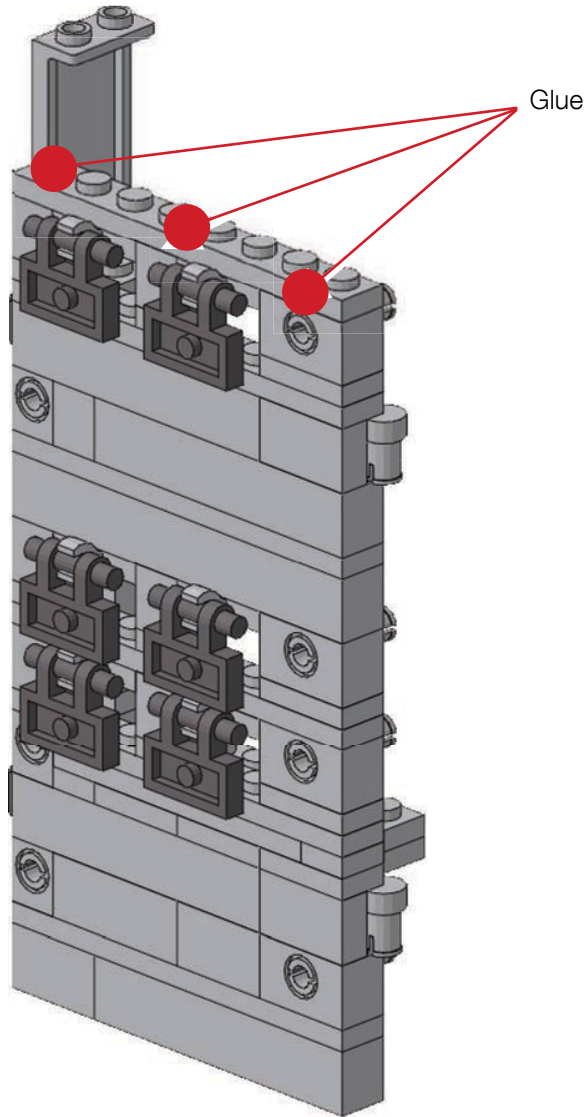
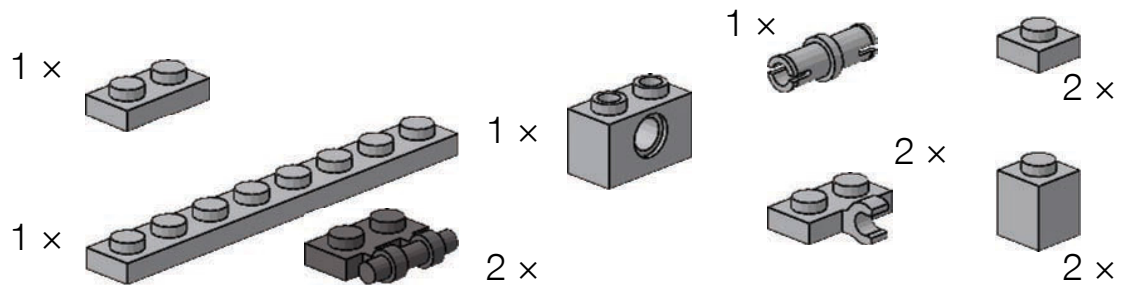
8



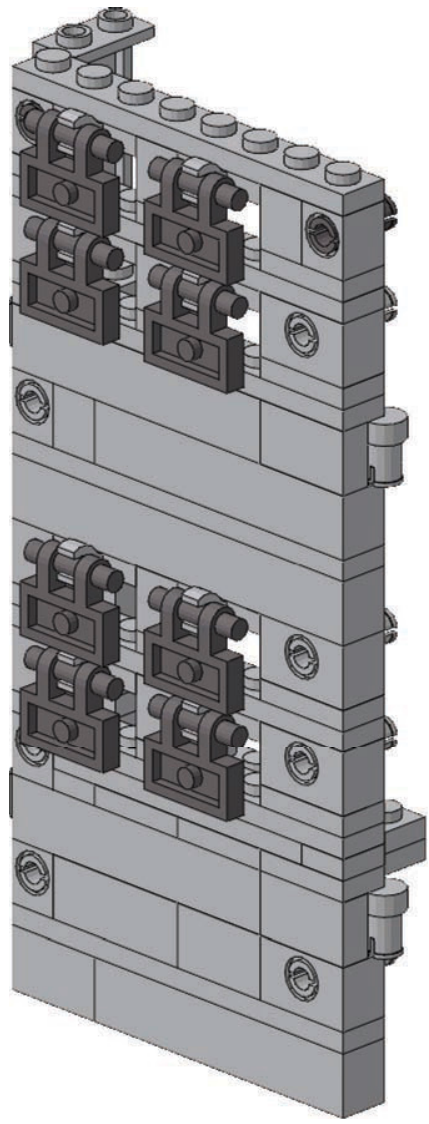
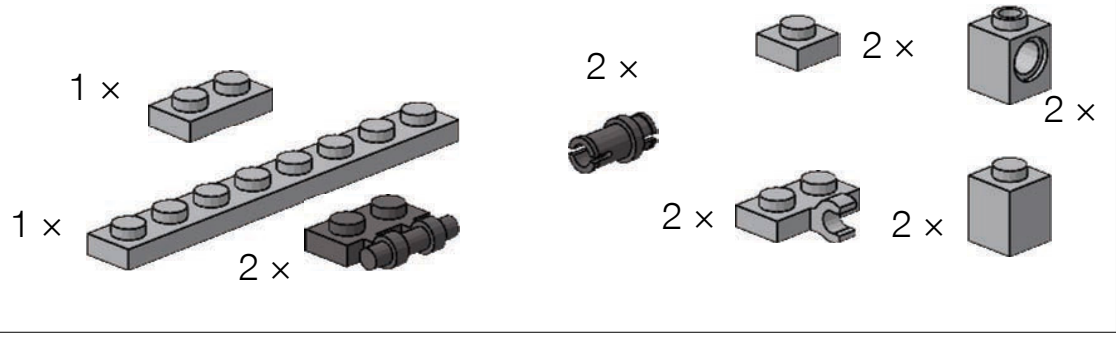
9



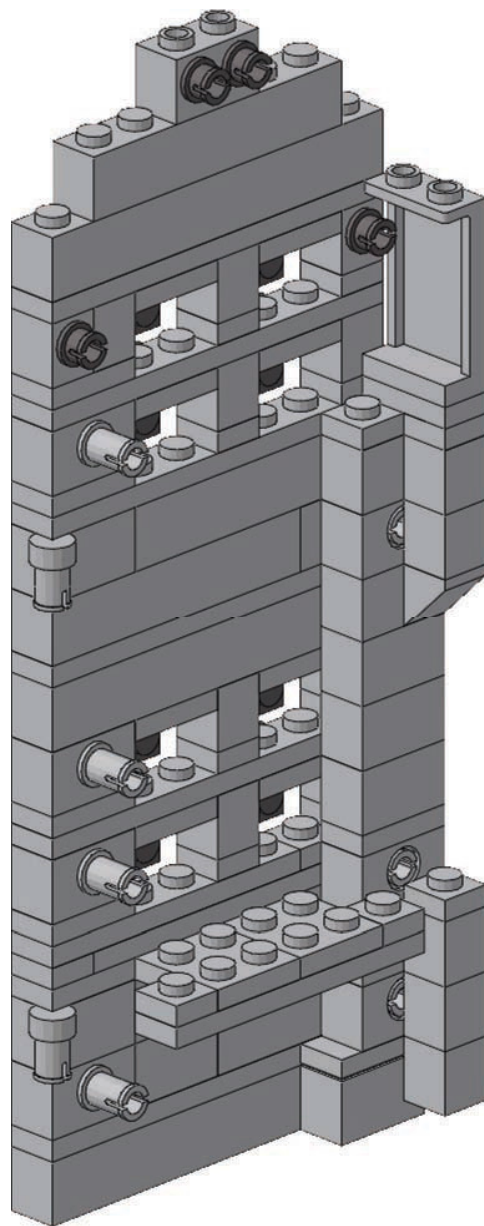
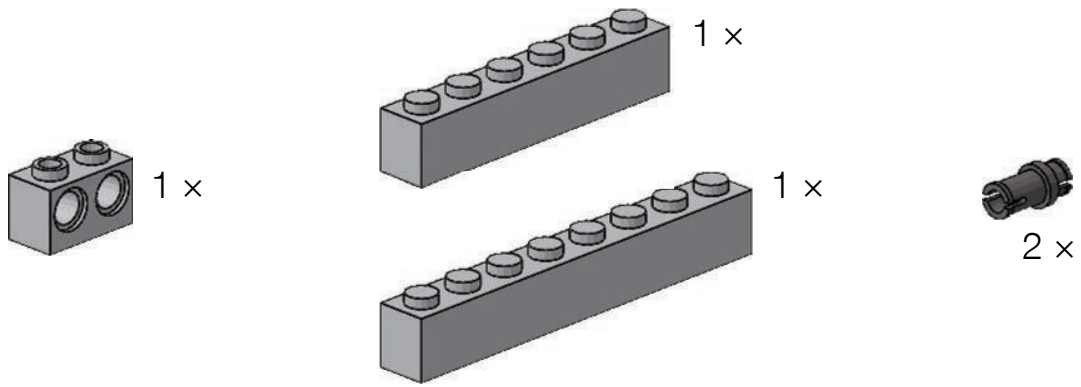
10



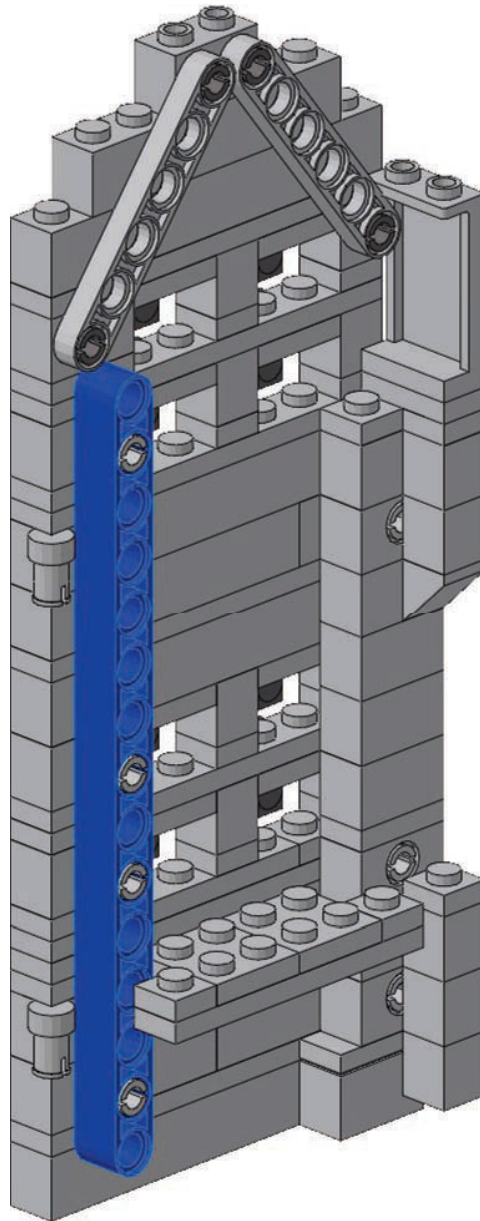
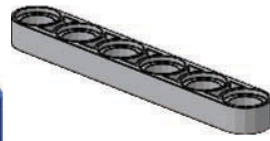
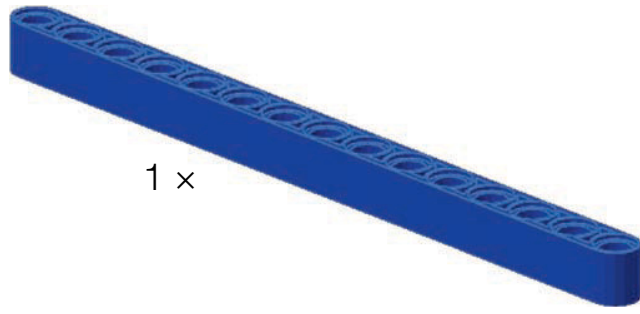
11

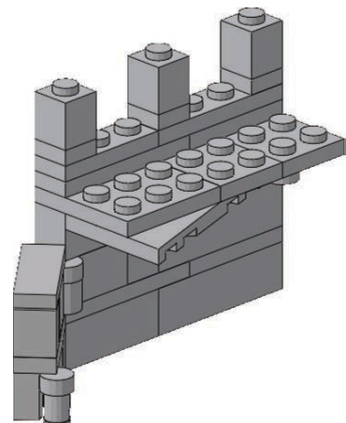
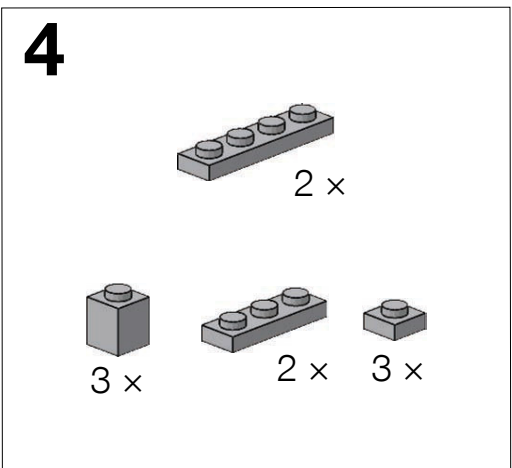
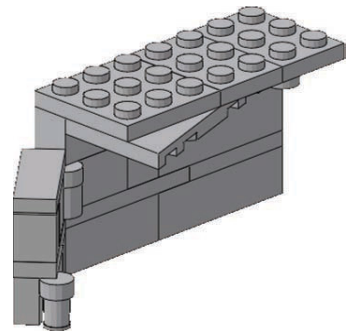
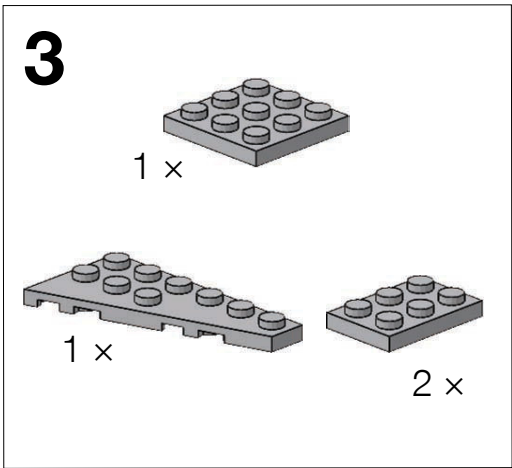
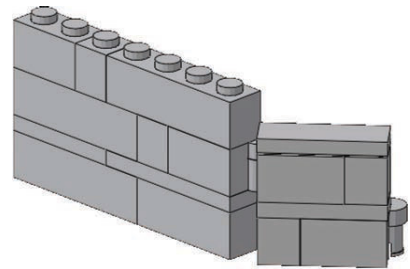
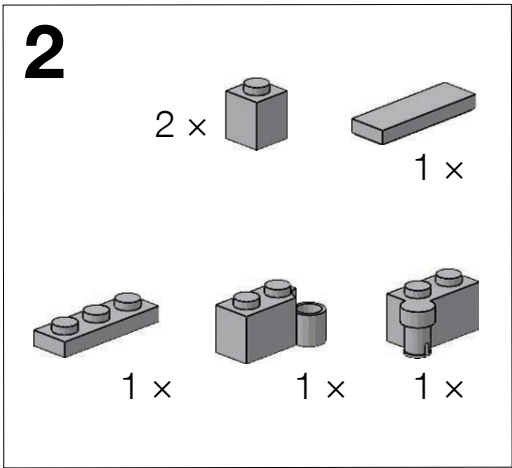
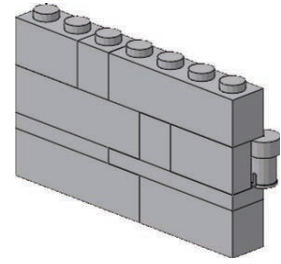
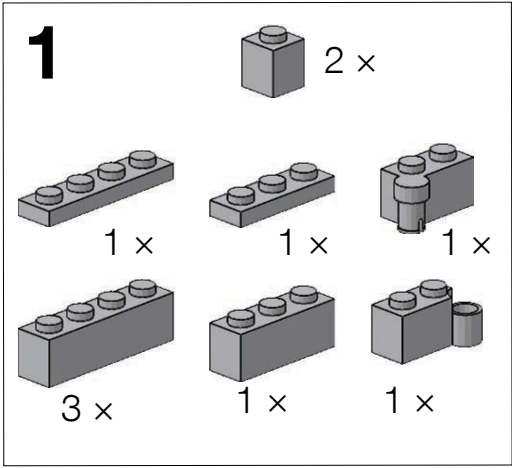


12

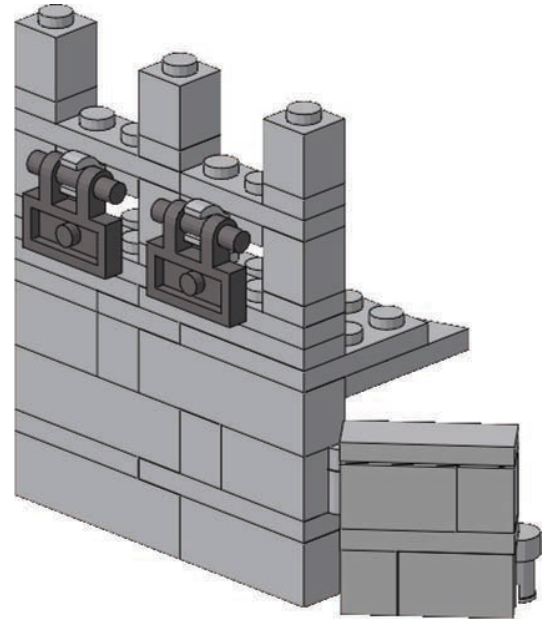
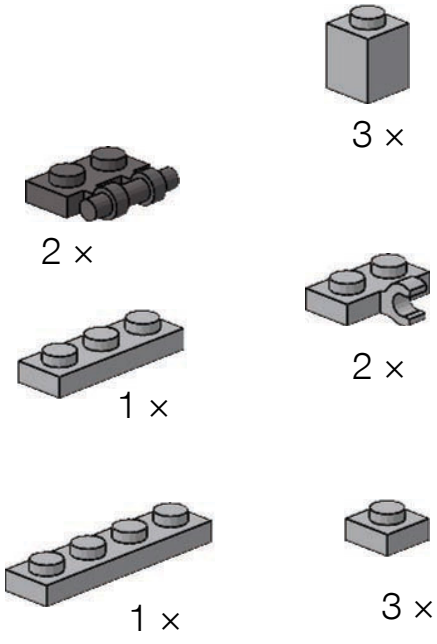


13

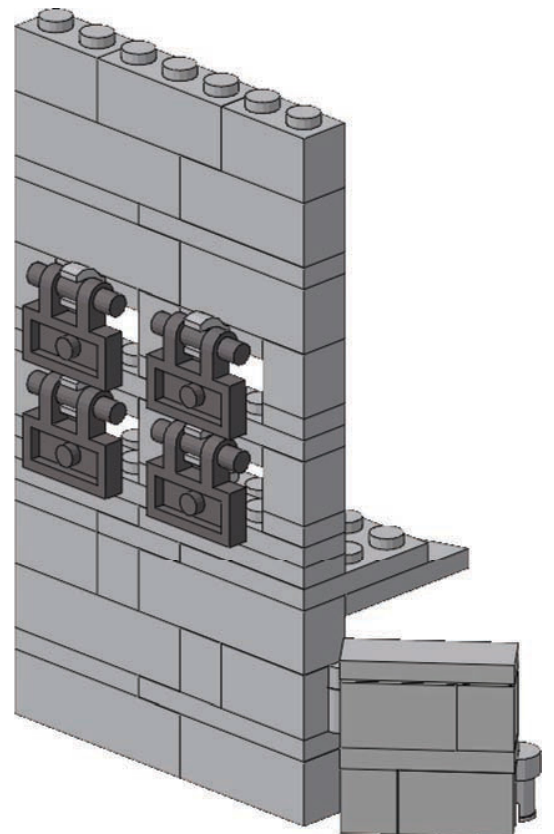
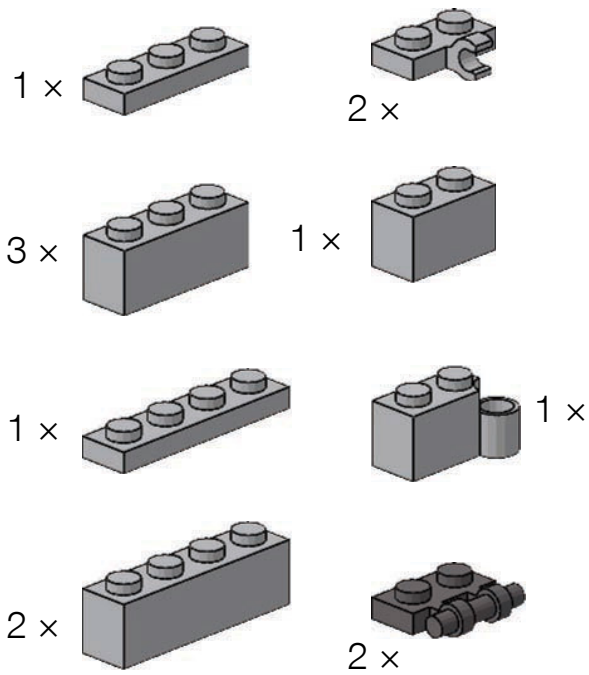




5



6



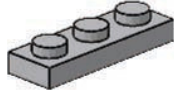
7



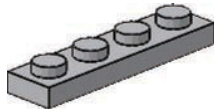
1 x



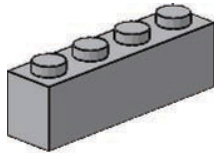
1 x



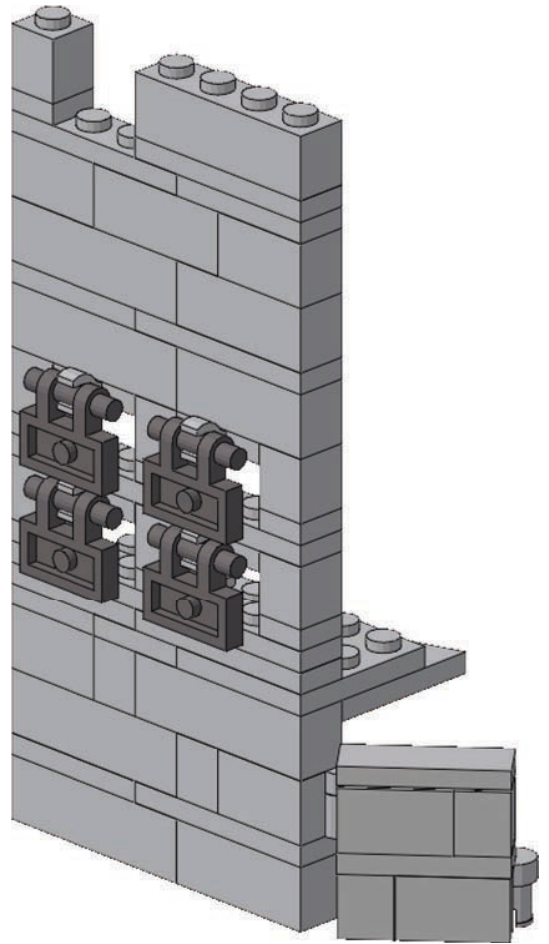
1 x



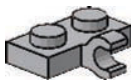
2 x



1 x



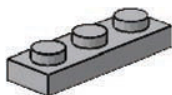
8



1 x

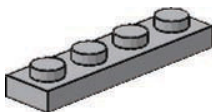


1 x



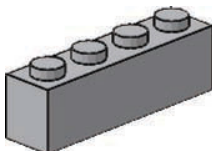
1 x

2 x

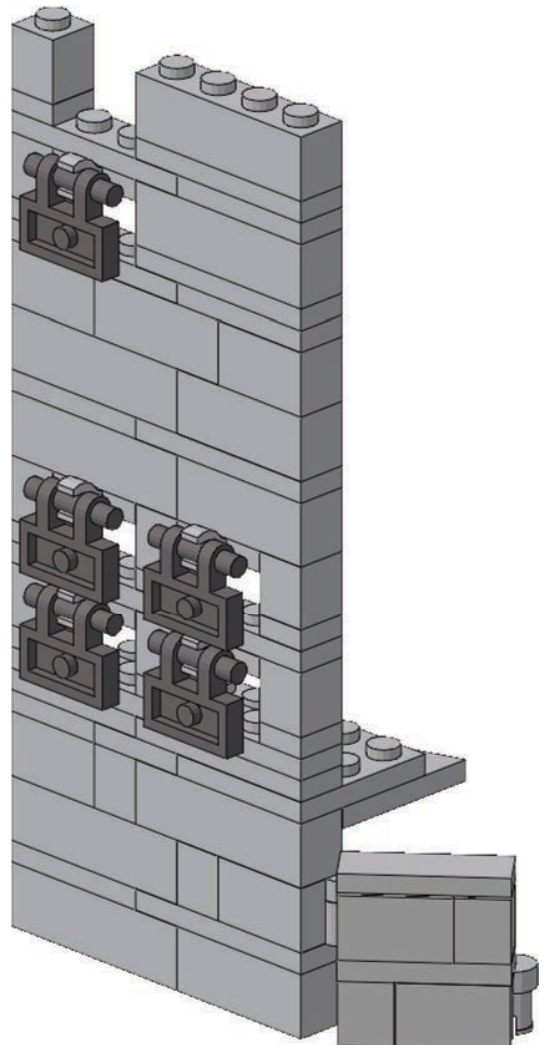


1 x

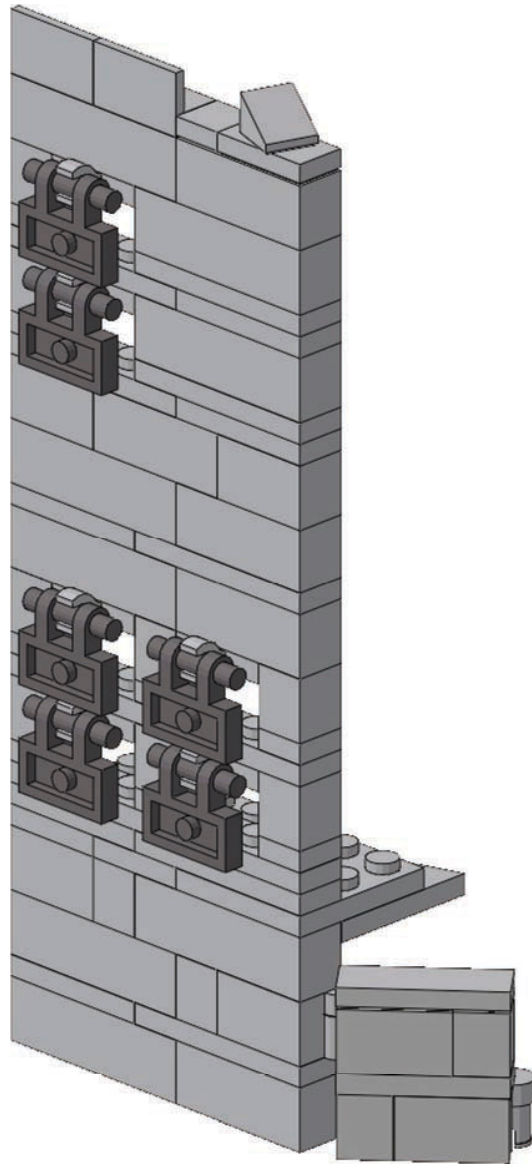
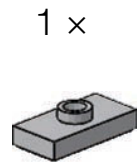
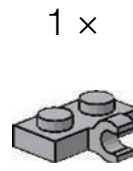
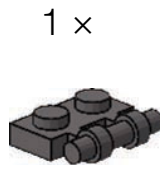
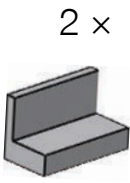
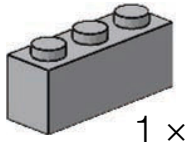
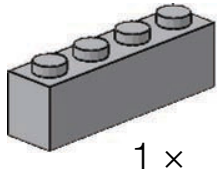
1 x

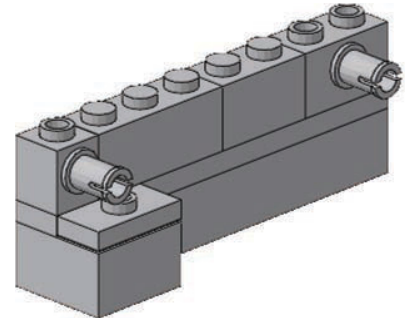
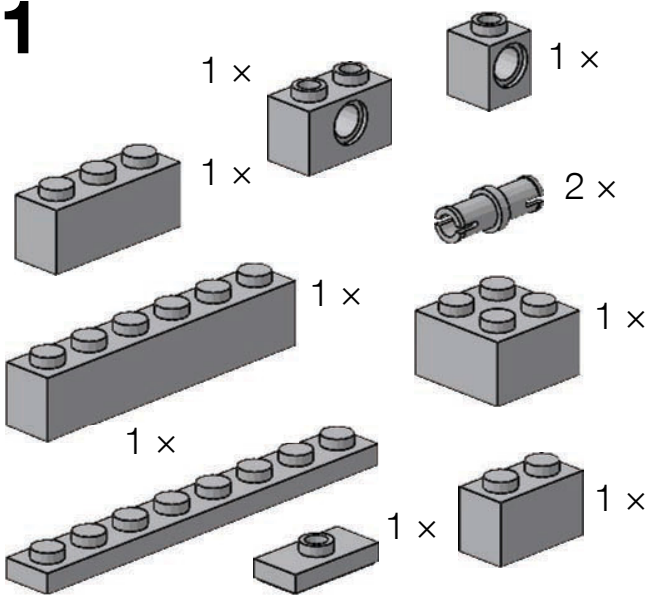
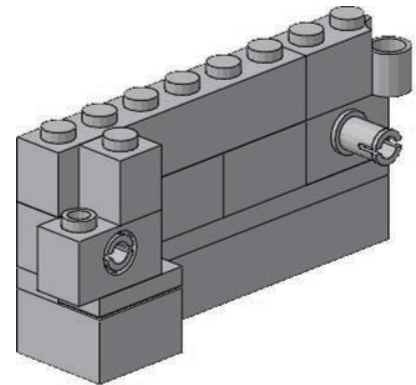
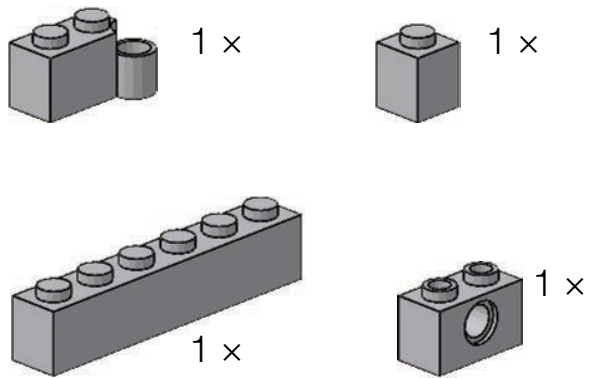
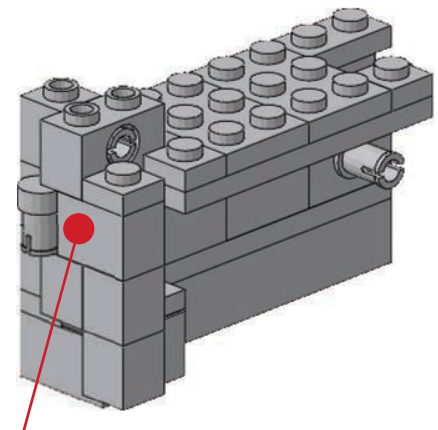
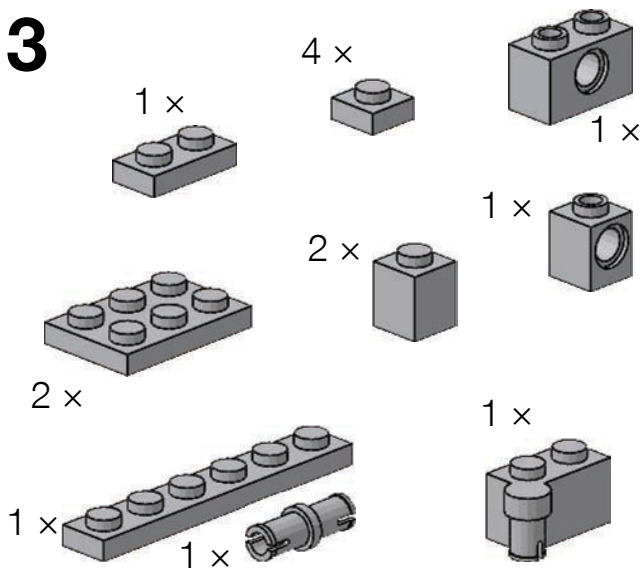


1 x



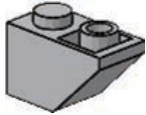
9



1**2****3**

To enable easy access to the Telescope, replace hinge brick with a regular 1 x 2 brick.

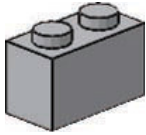
4



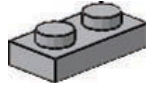
1 x



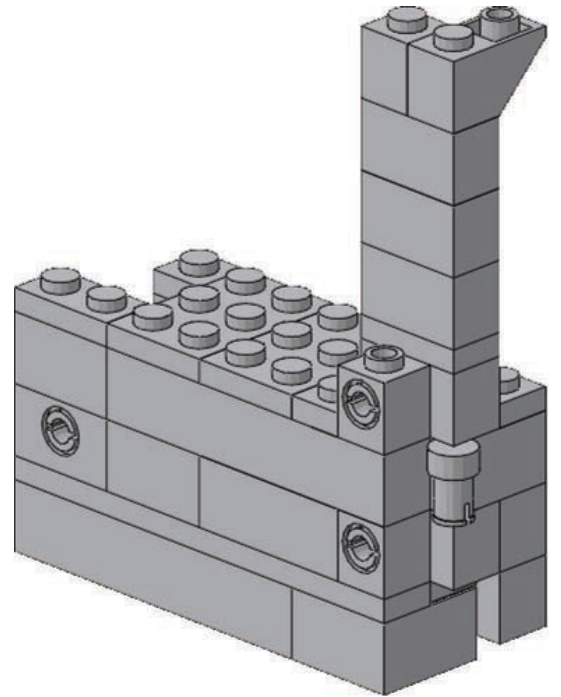
1 x



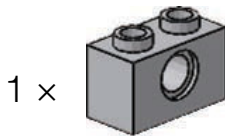
3 x



1 x



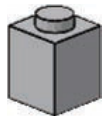
5



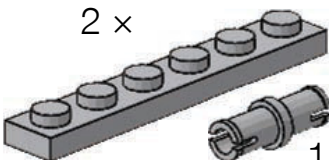
1 x



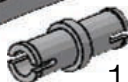
4 x



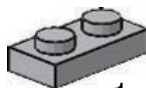
2 x



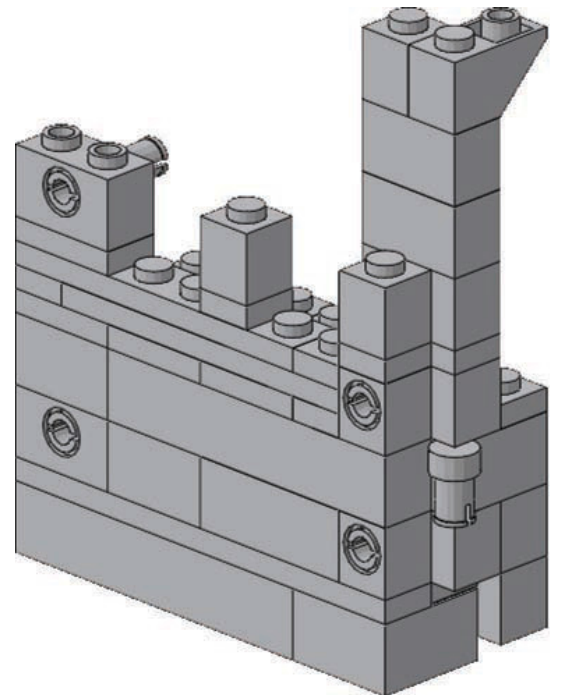
2 x



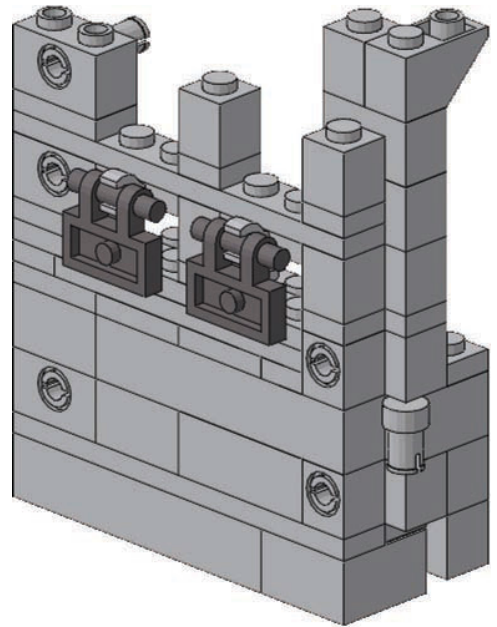
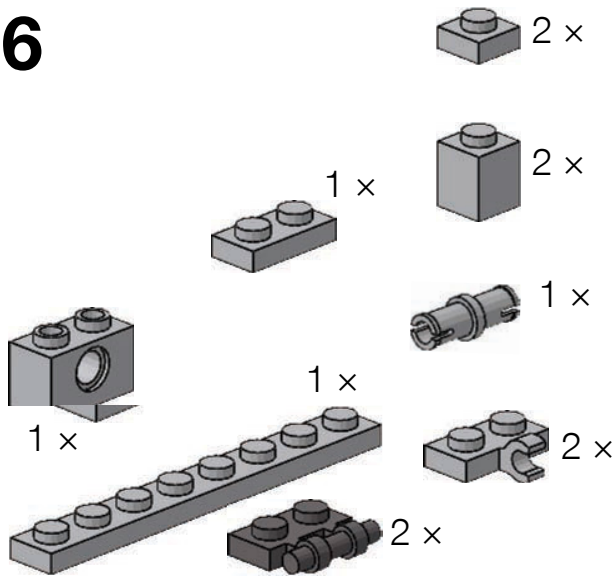
1 x



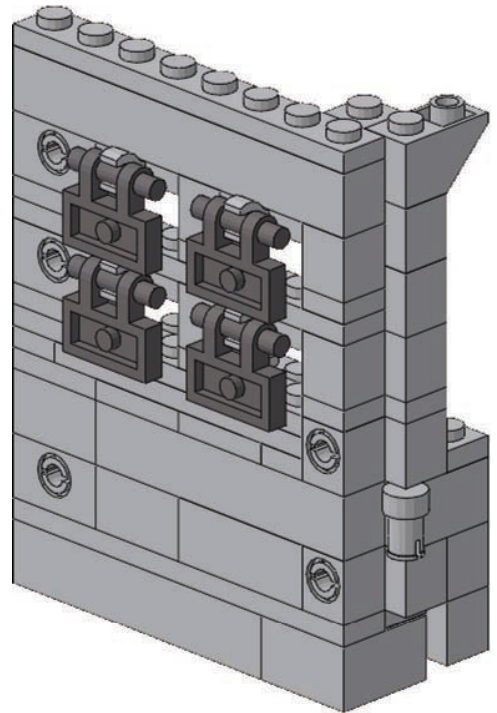
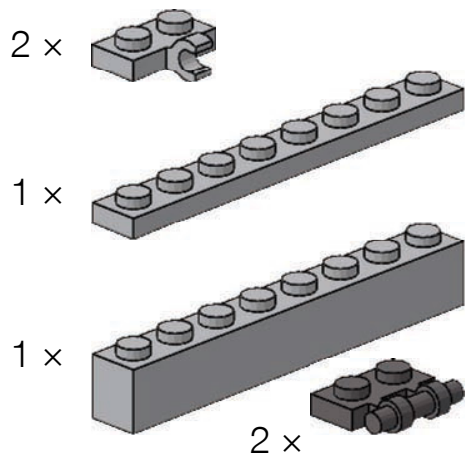
1 x



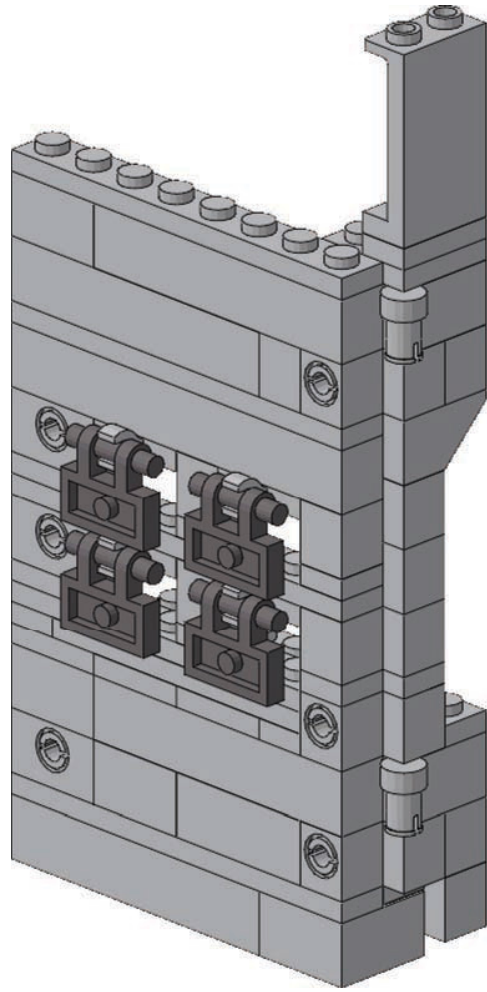
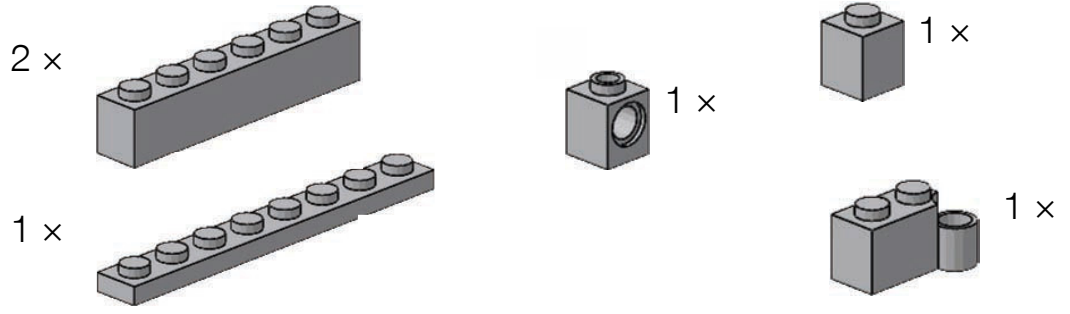
6



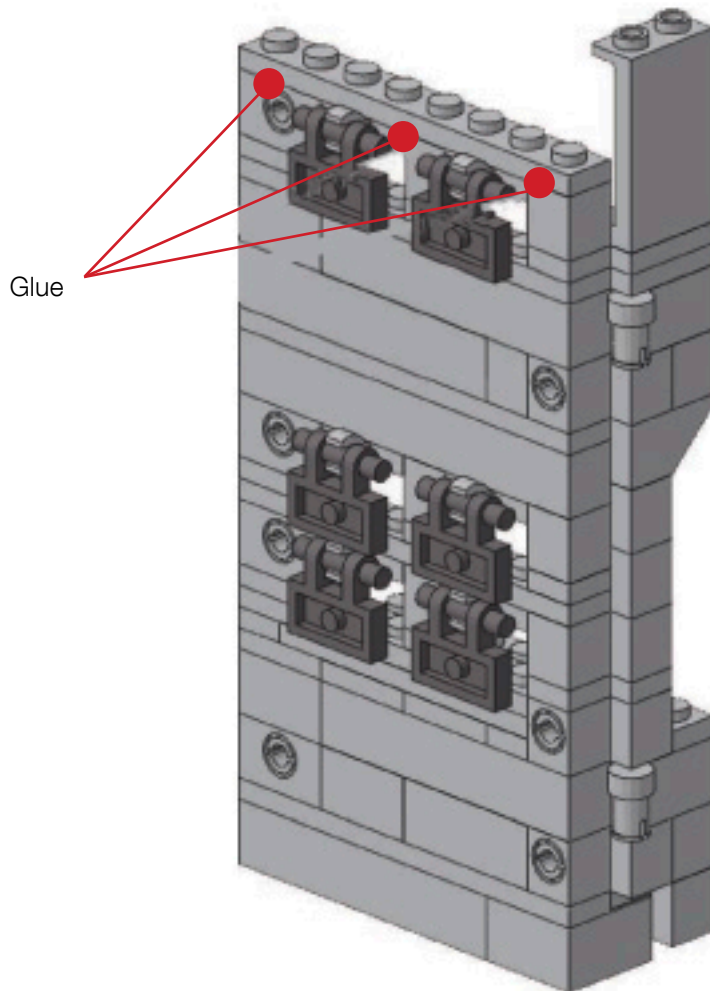
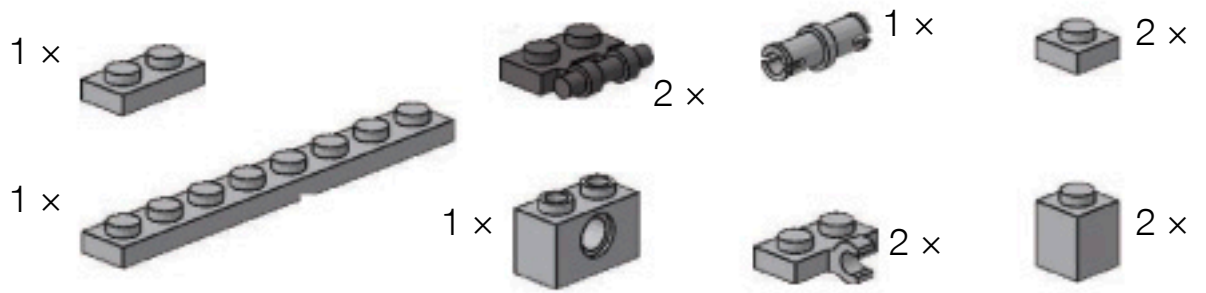
7



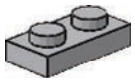
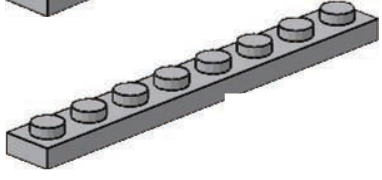


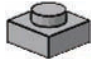
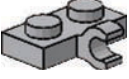
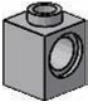

9

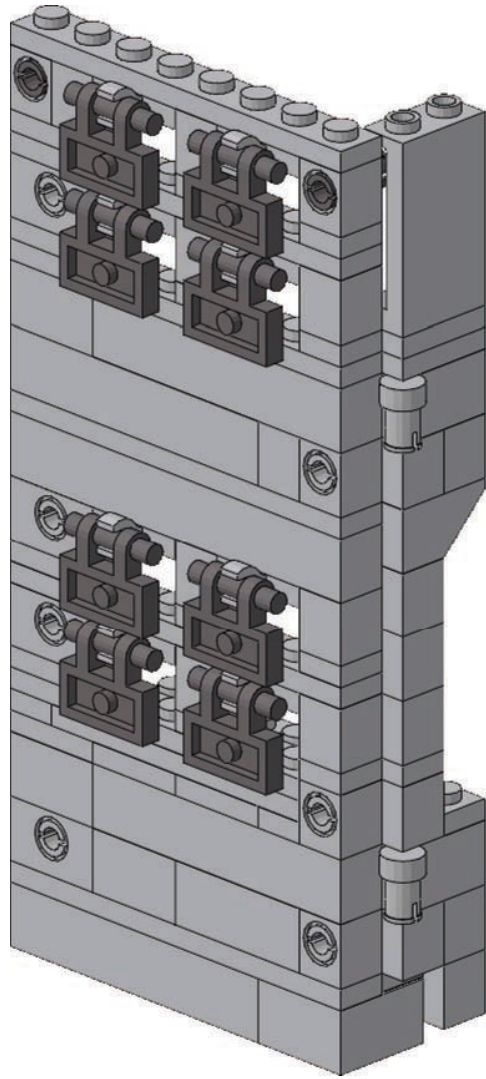


10

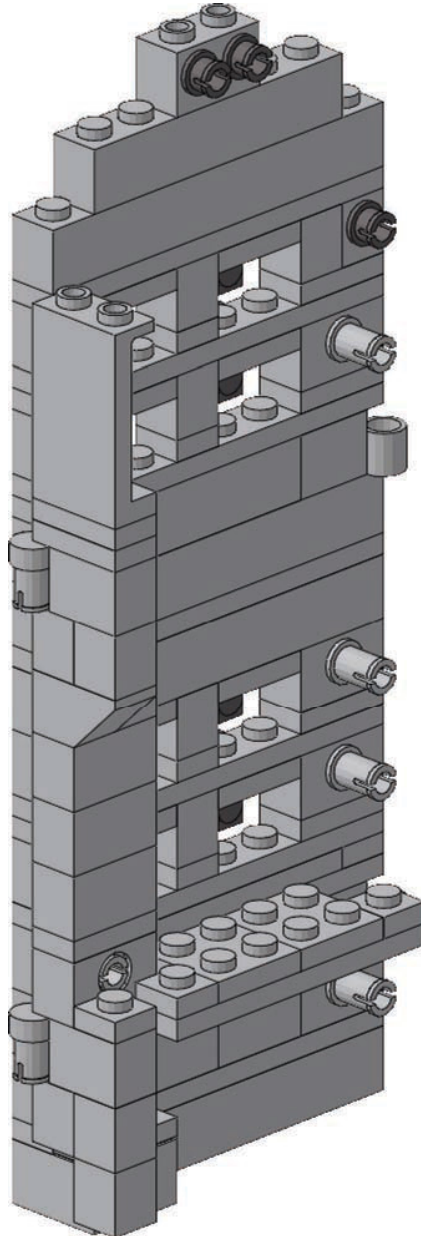
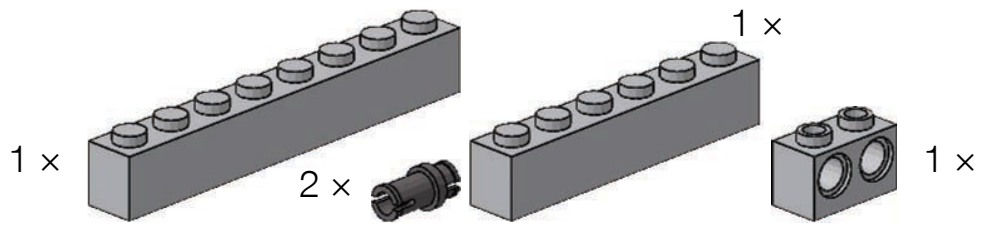


11

- 1 x 
- 1 x 
- 2 x 
- 2 x 
- 2 x 
- 2 x 
- 2 x 
- 2 x 



12

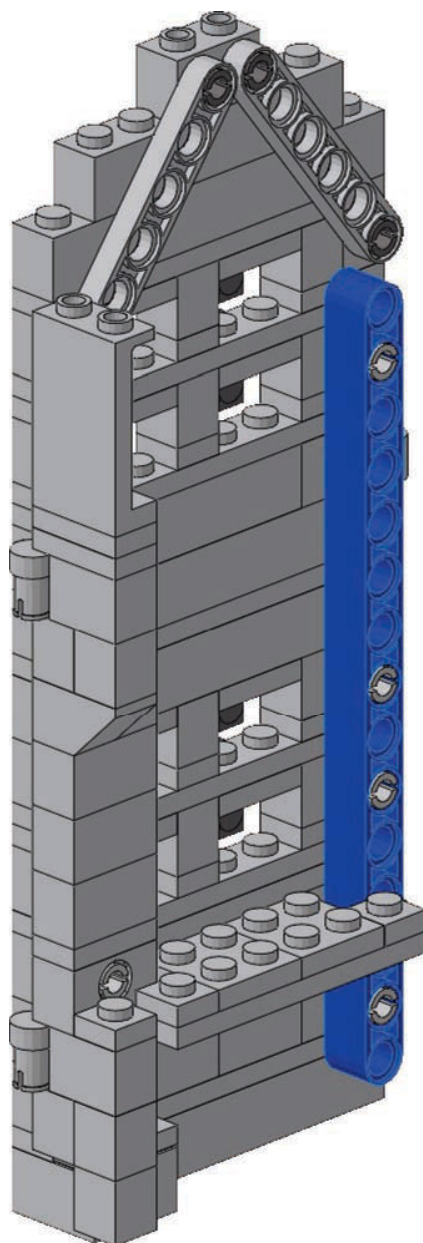
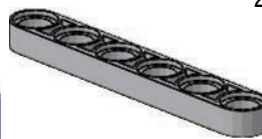


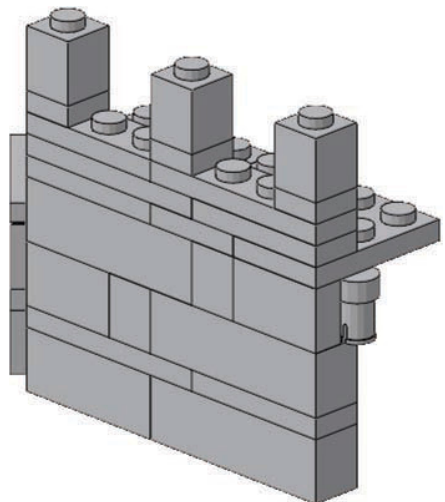
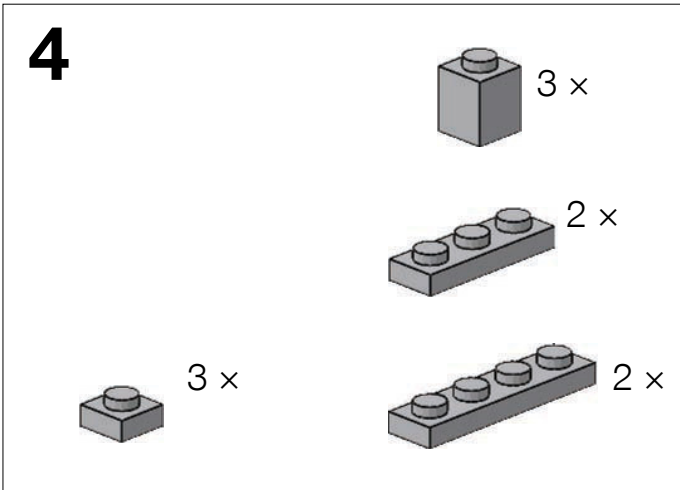
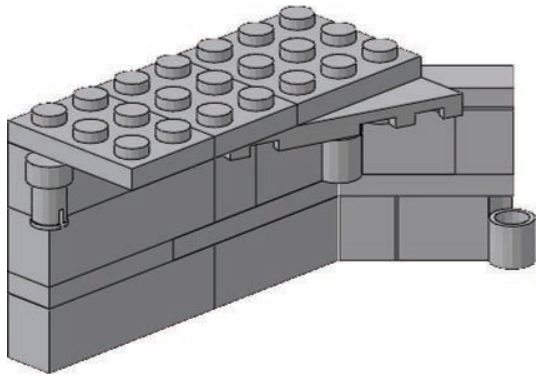
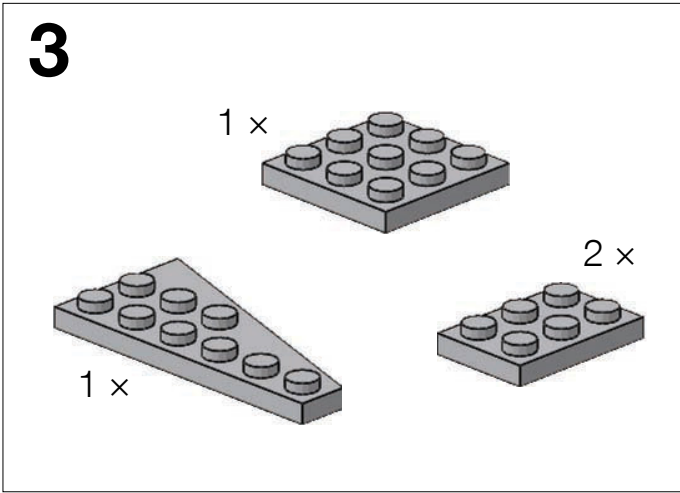
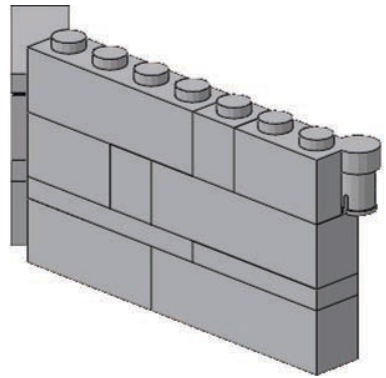
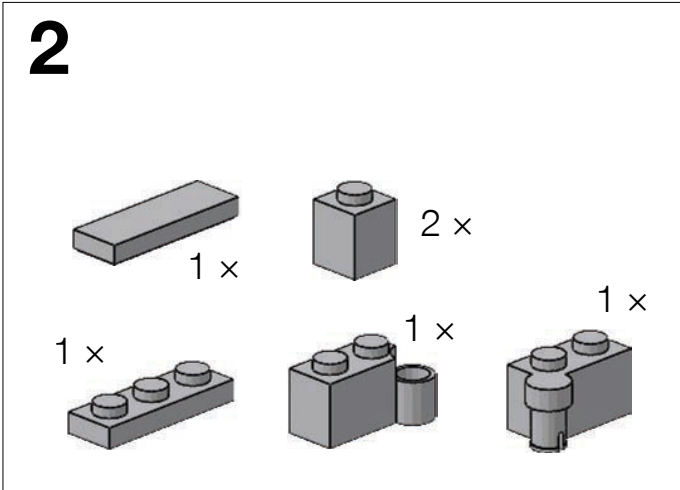
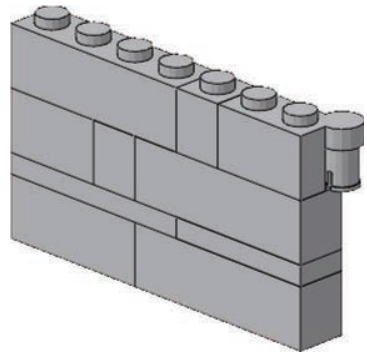
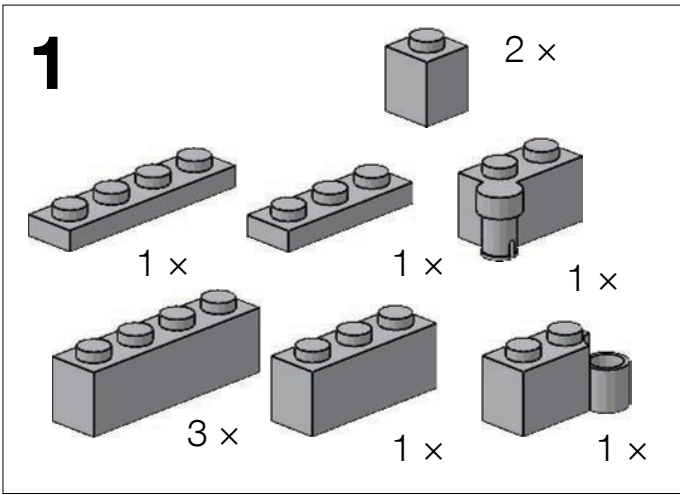
13

1 ×

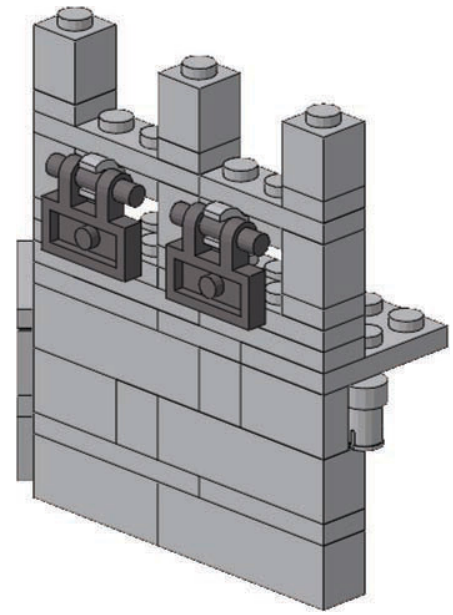
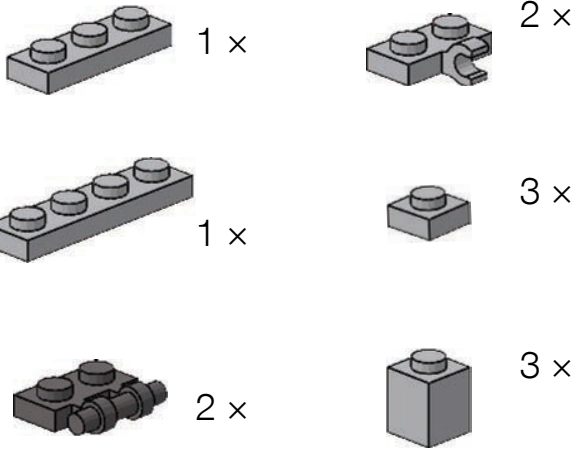


2 ×

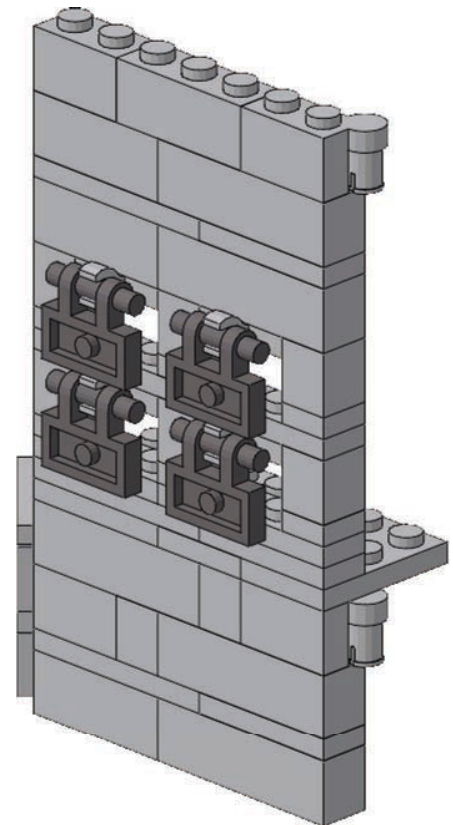
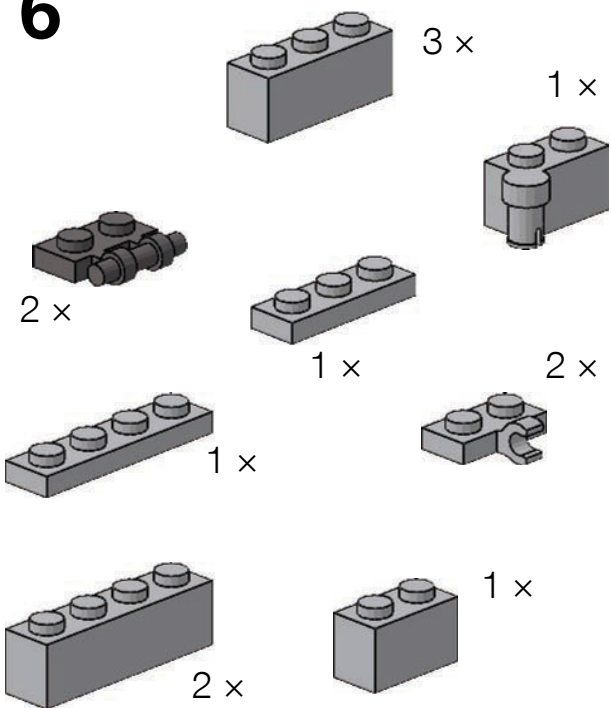




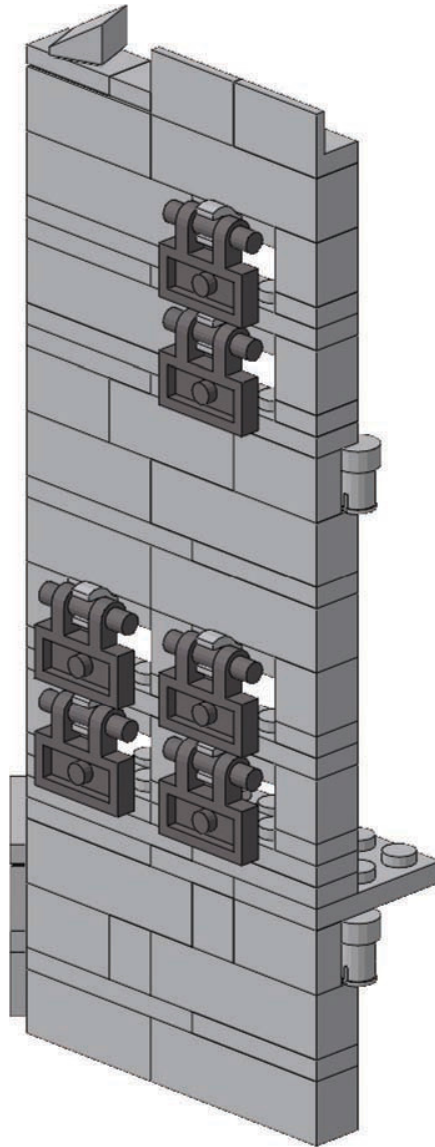
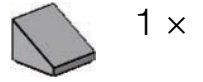
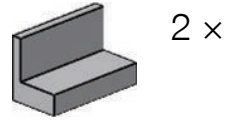
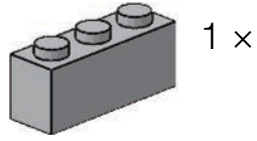
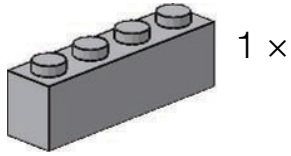
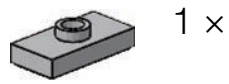
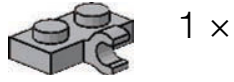
5

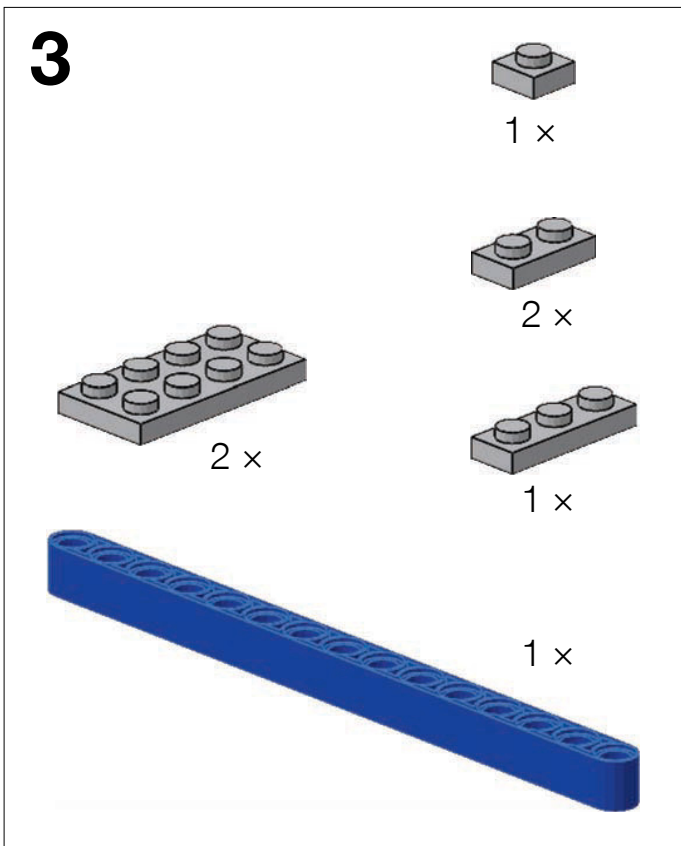
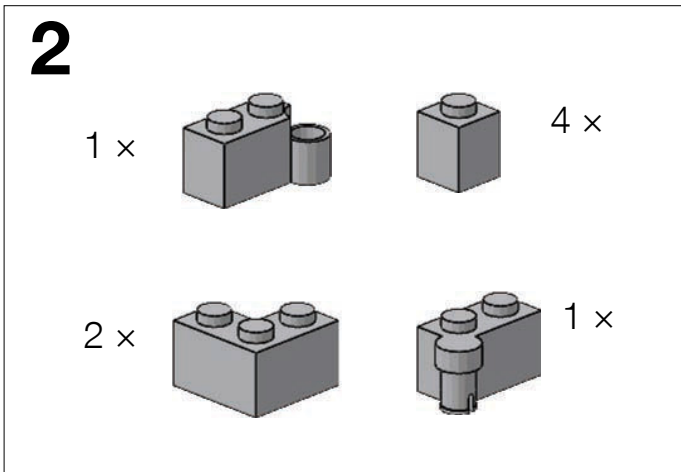
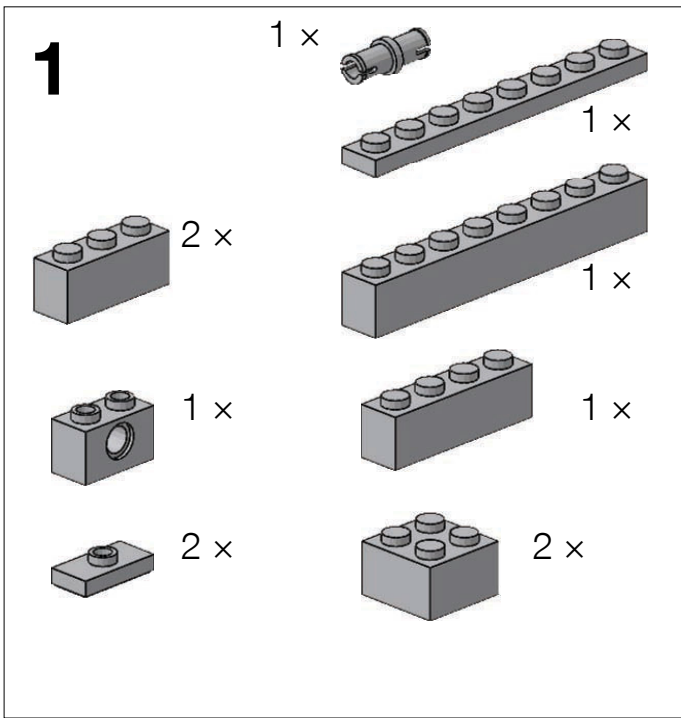


6

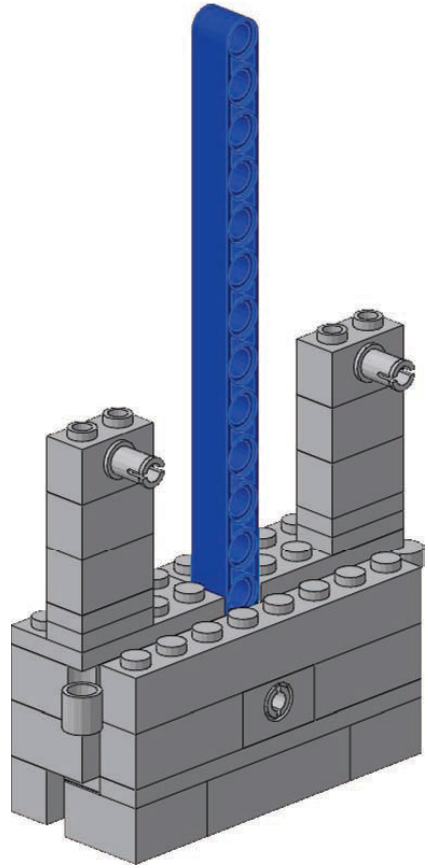
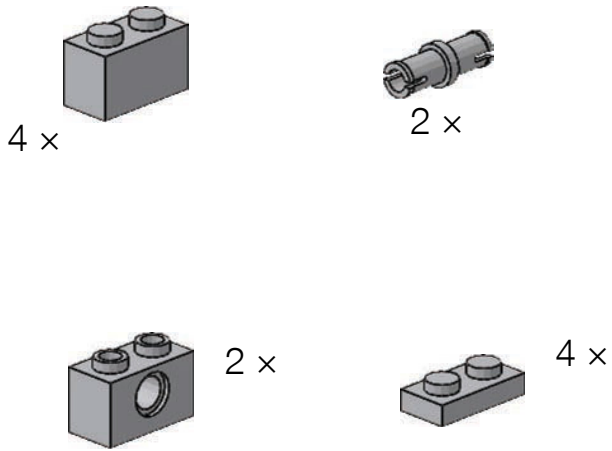


9

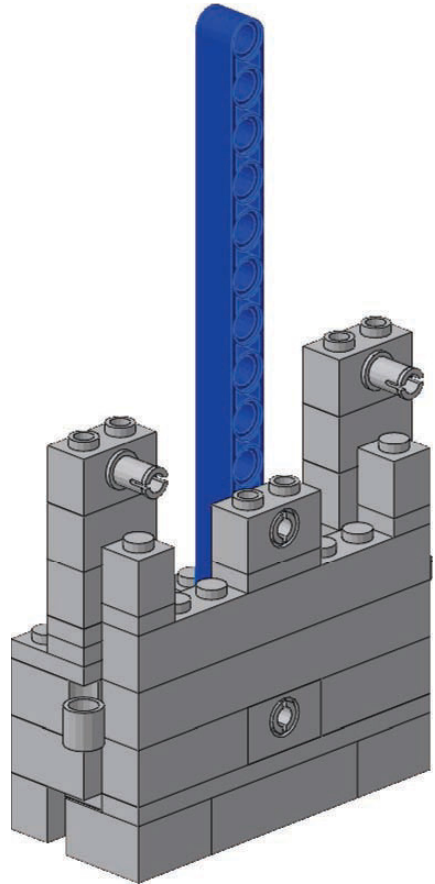
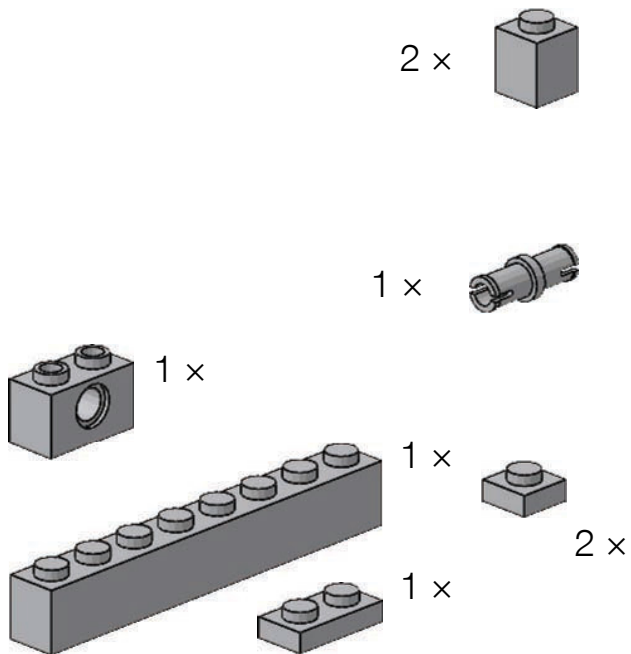




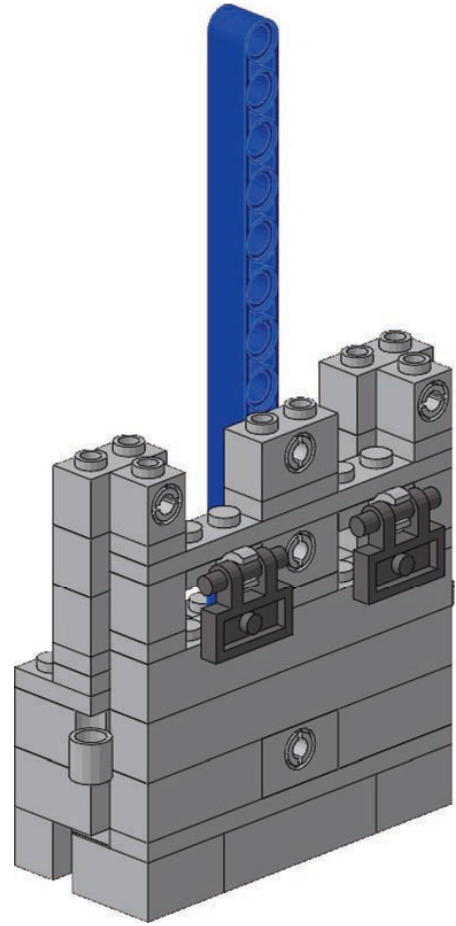
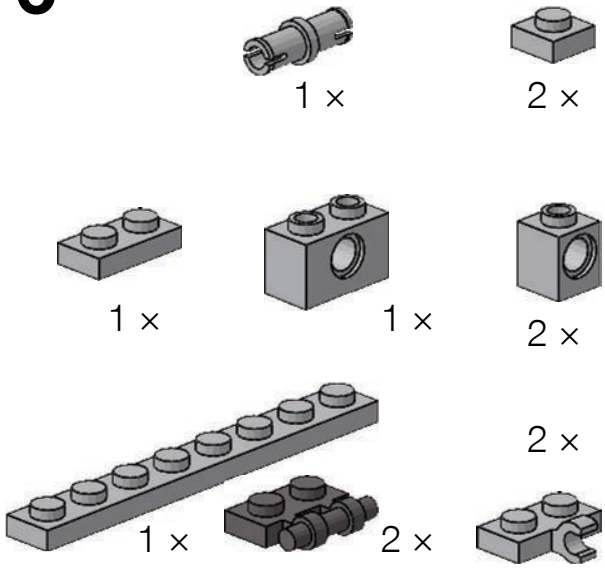
4



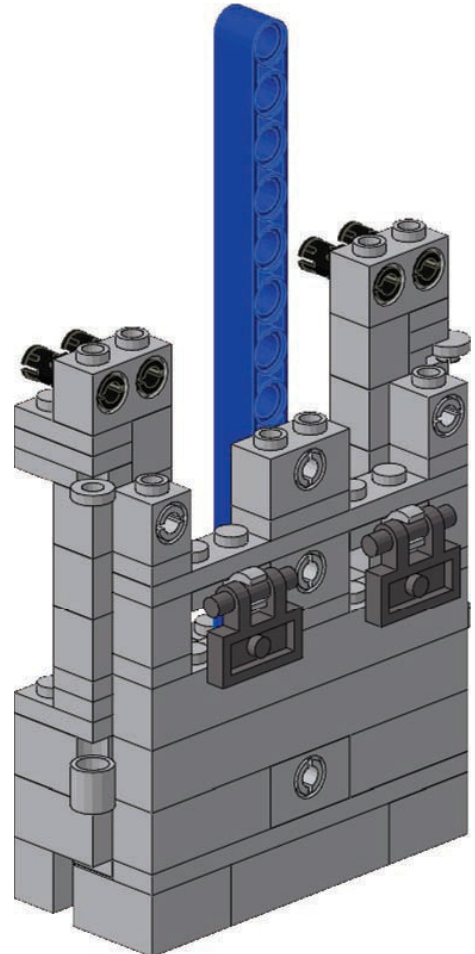
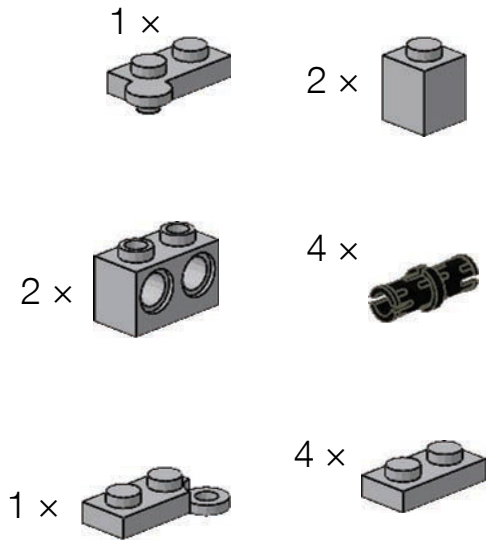
5



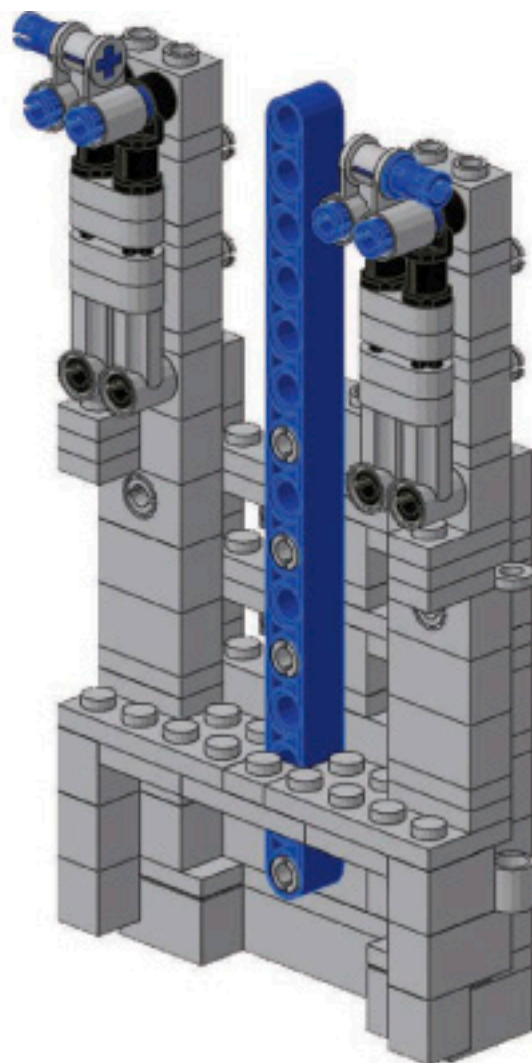
6



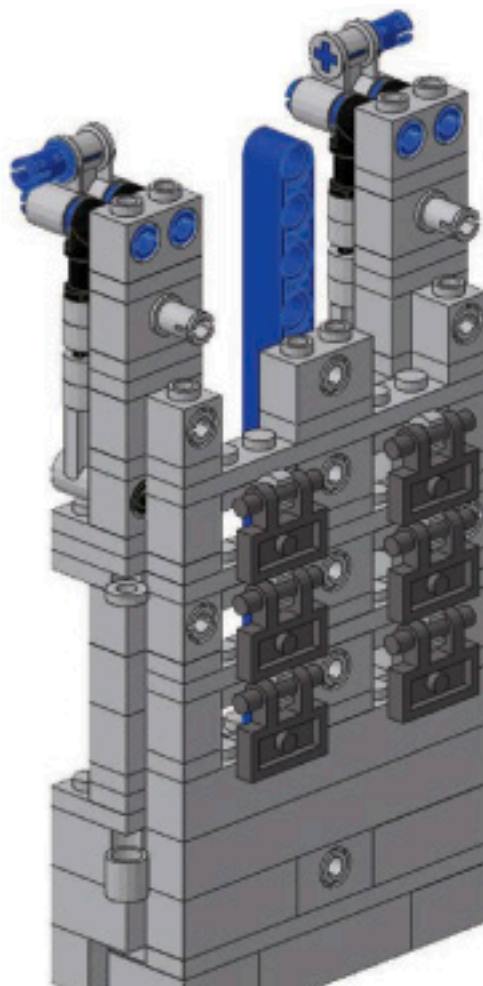
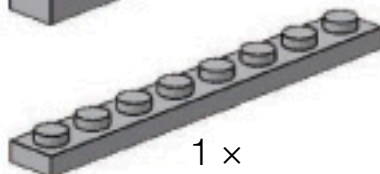
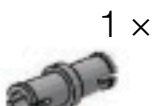
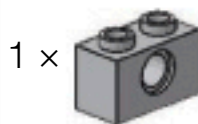
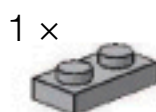
7



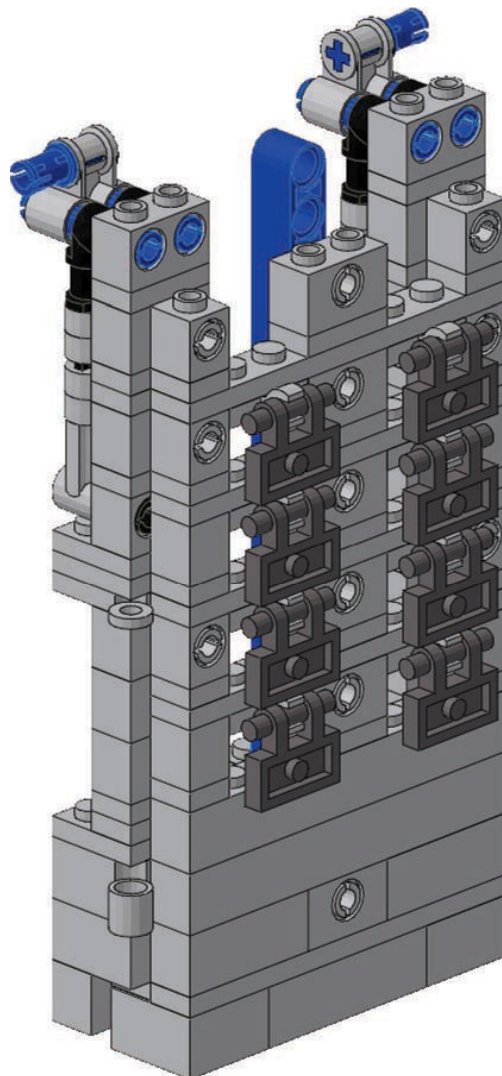
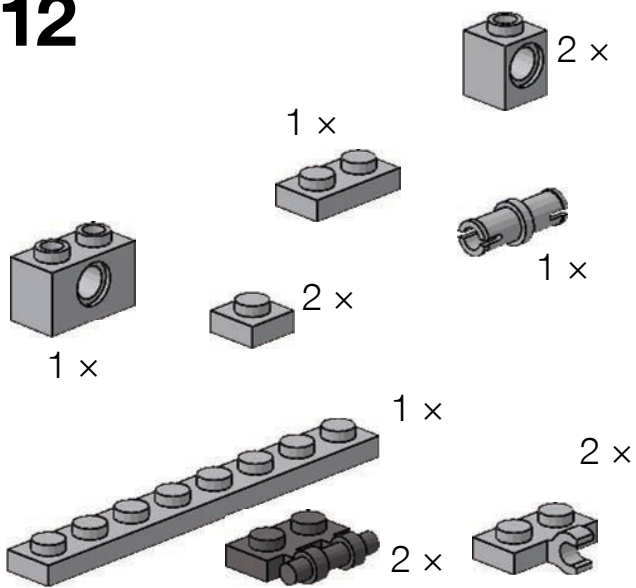
10



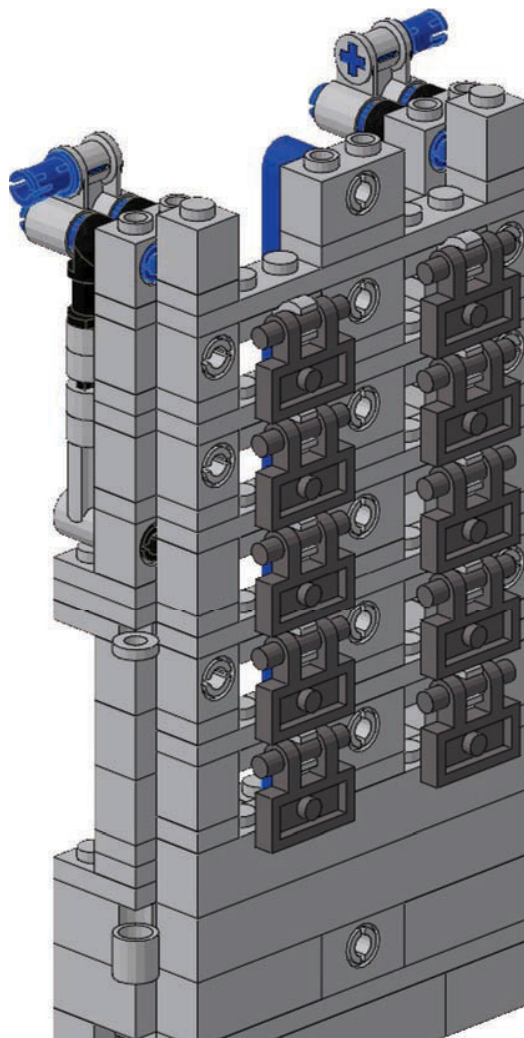
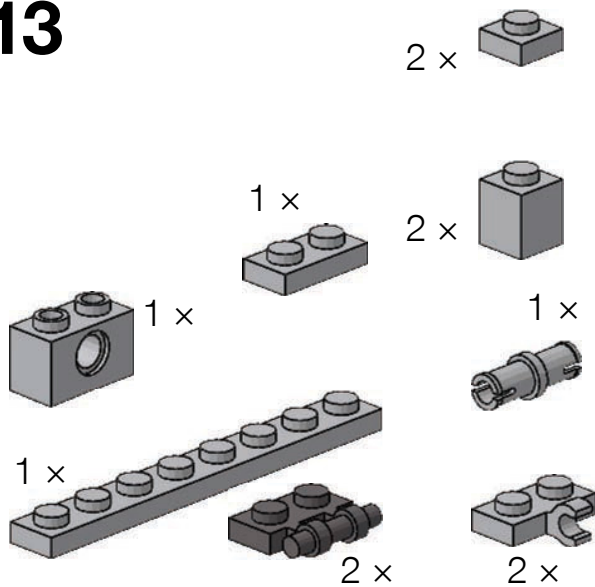
11



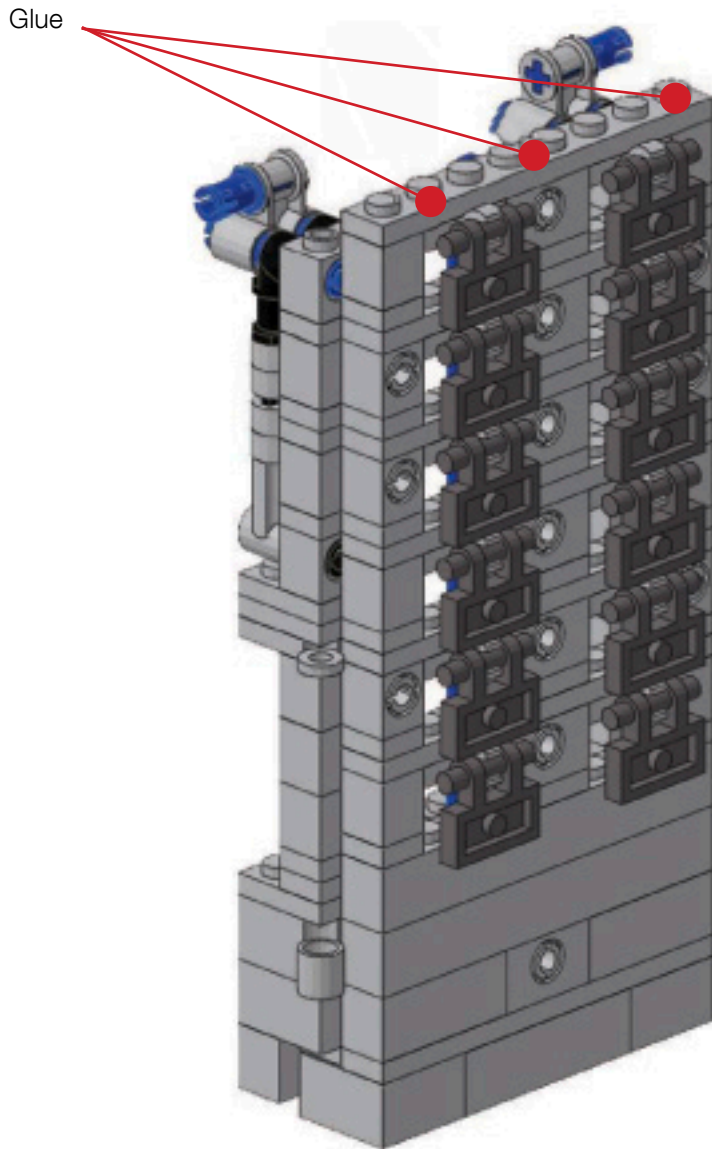
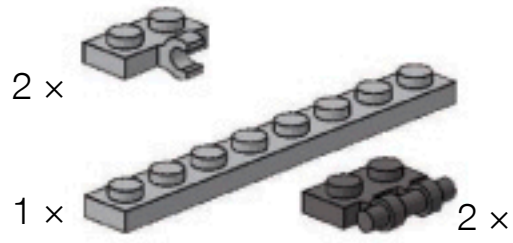
12



13



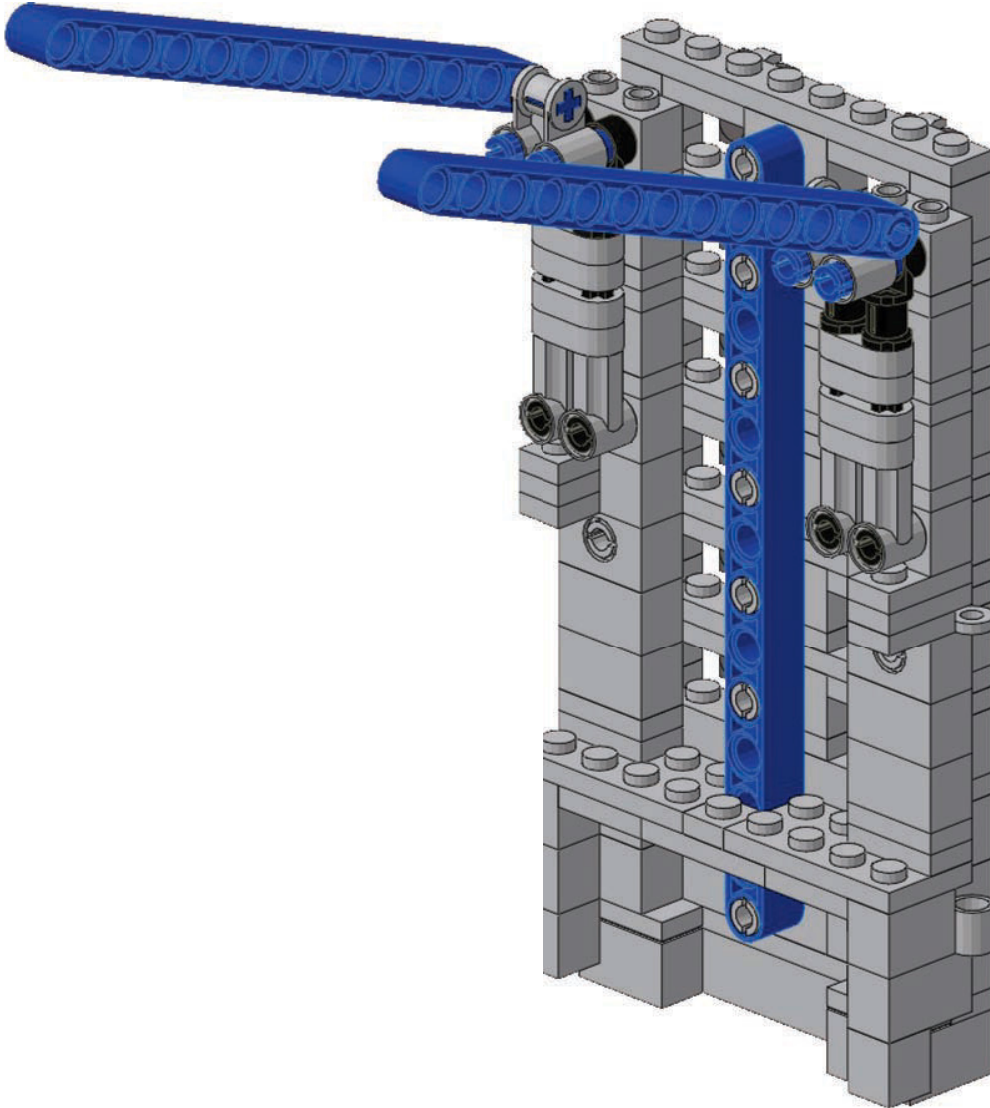
14

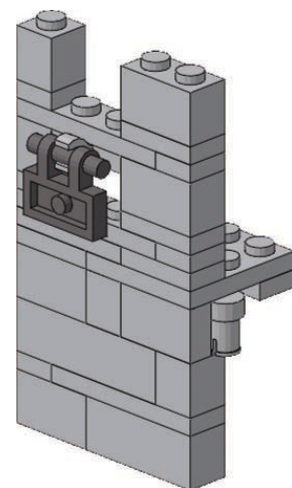
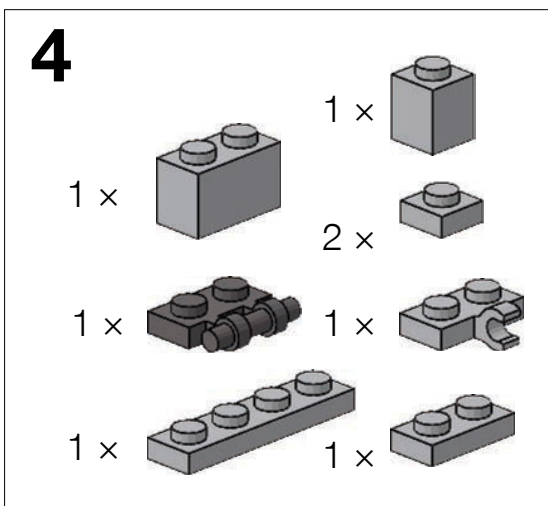
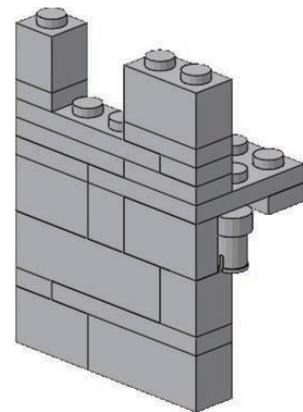
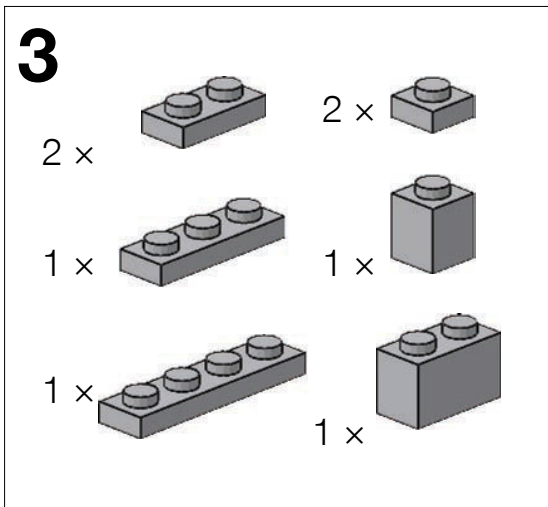
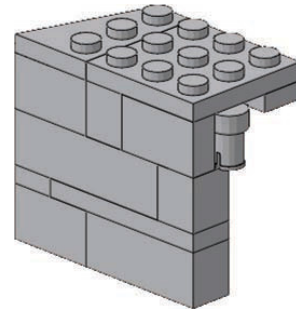
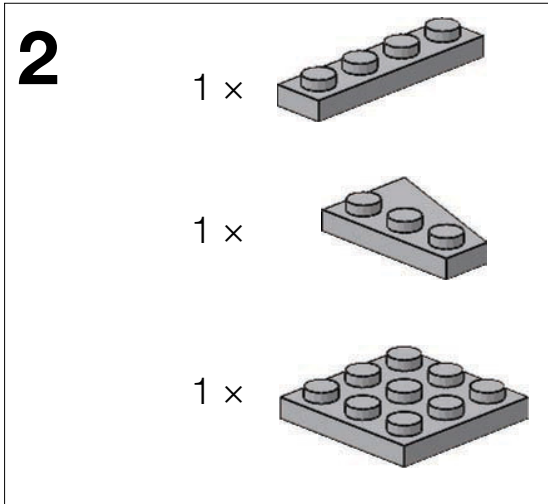
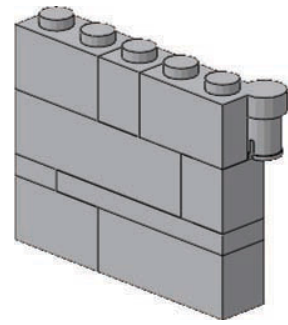
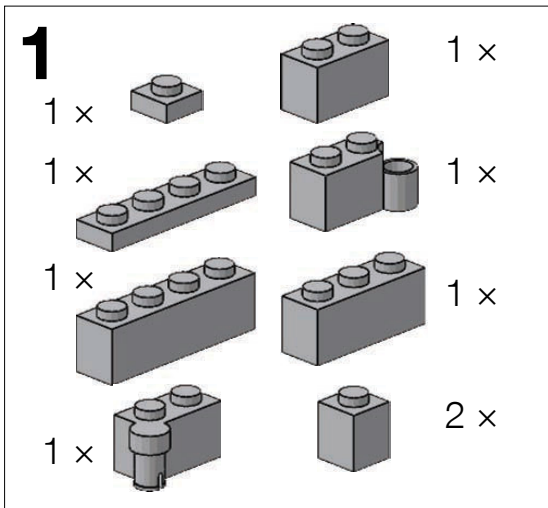


15

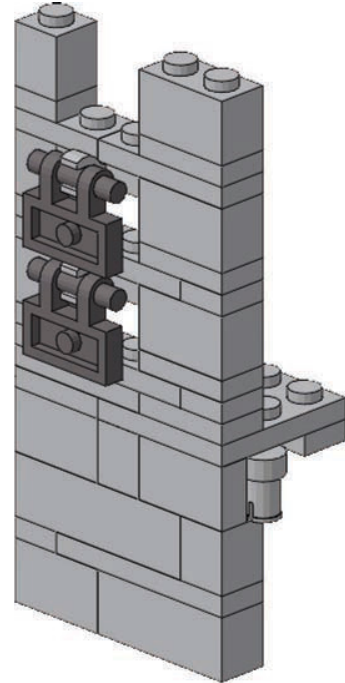
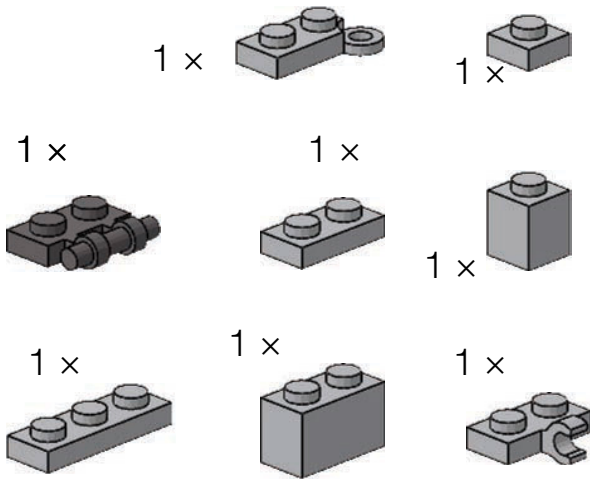


2 x

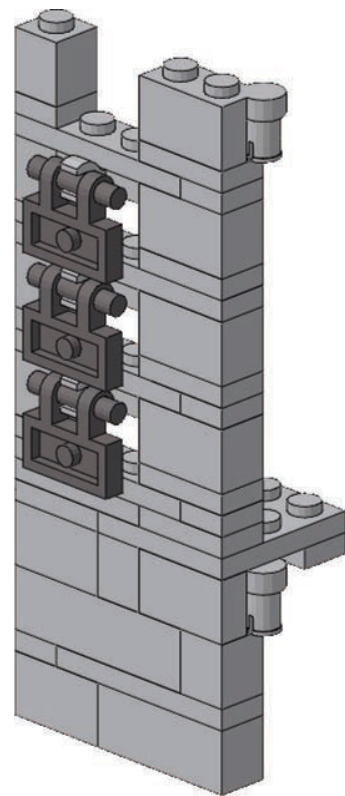
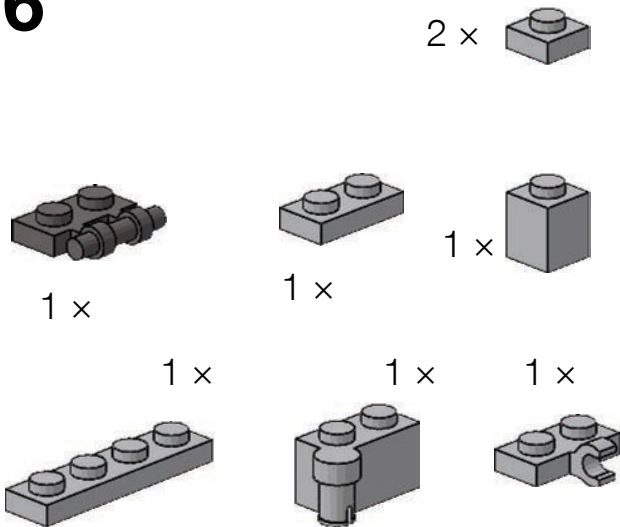




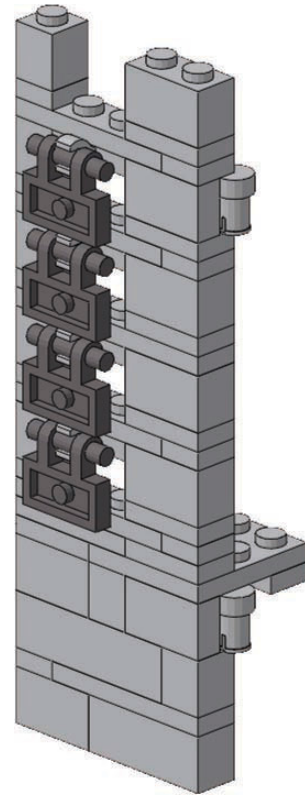
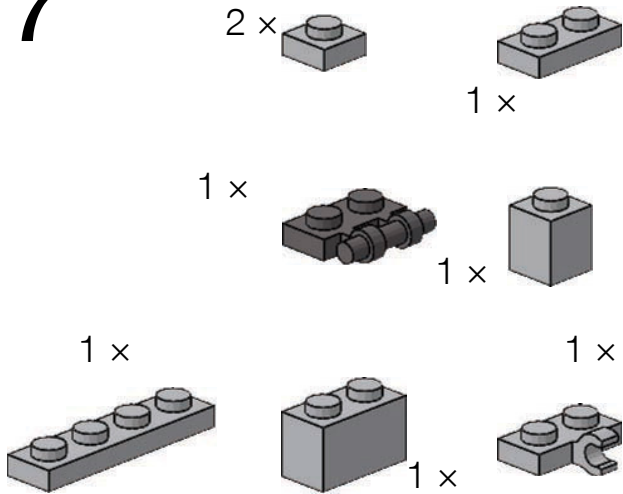
5



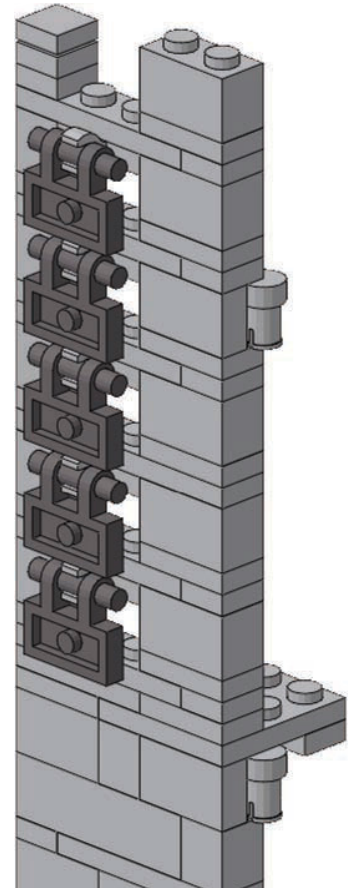
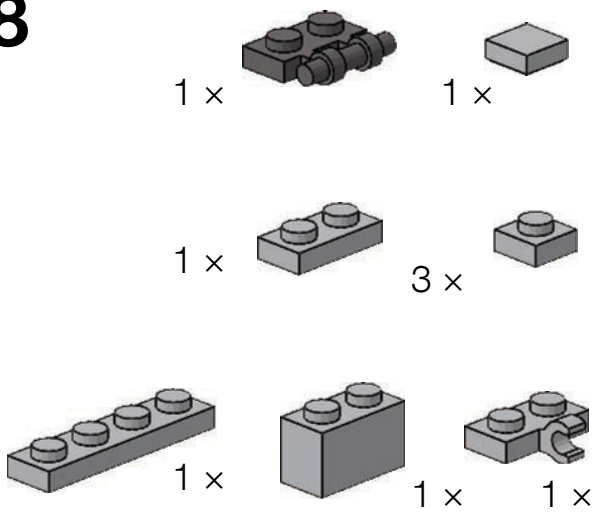
6



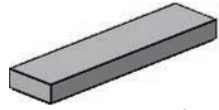
7



8



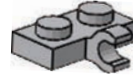
9



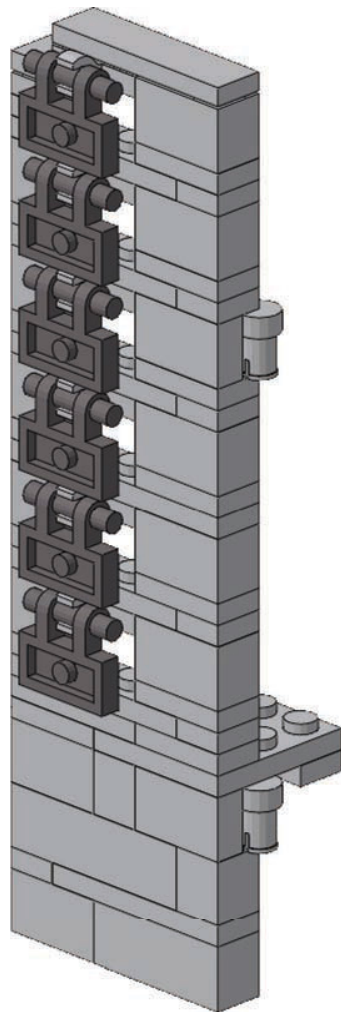
1 x

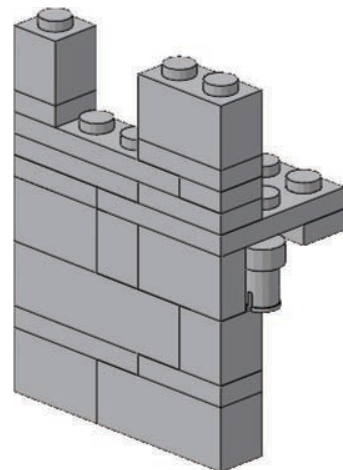
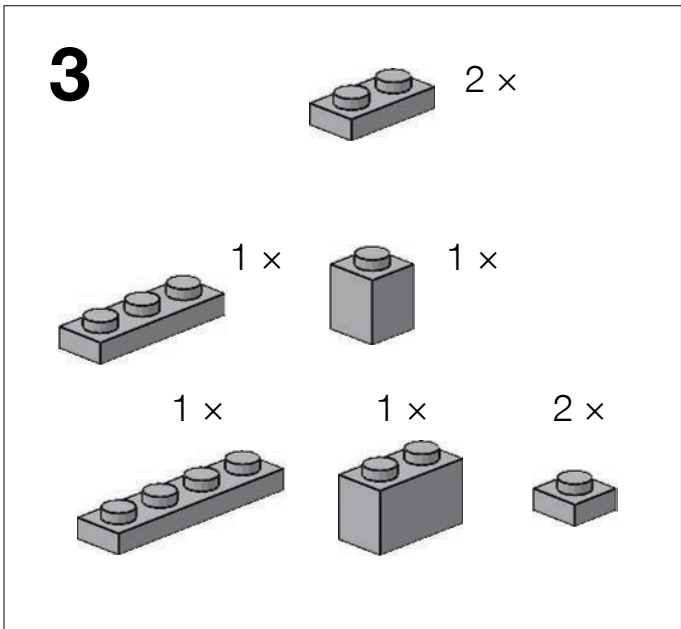
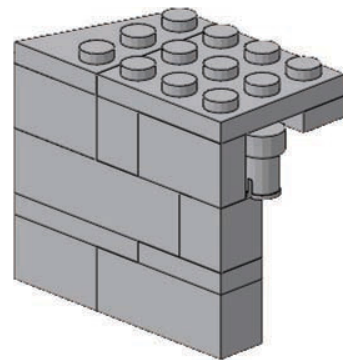
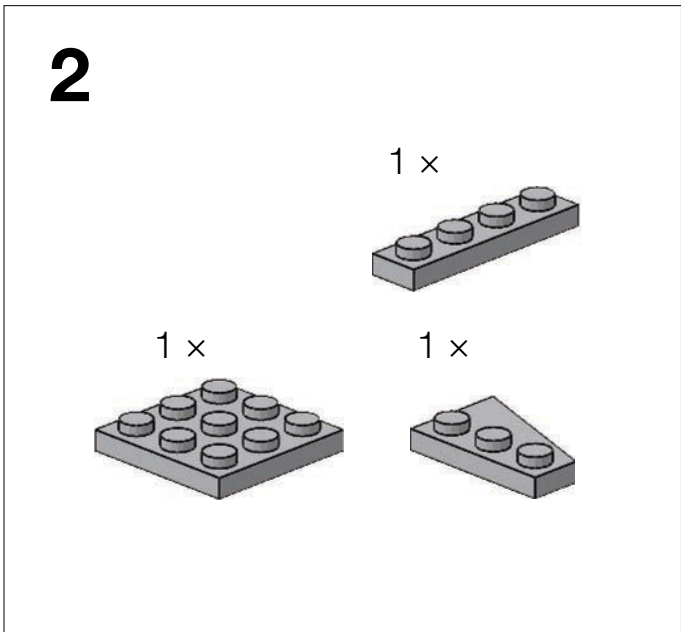
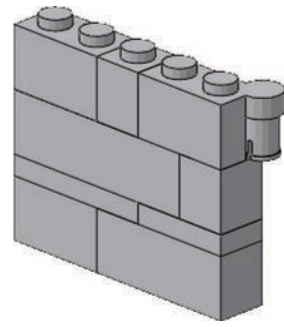
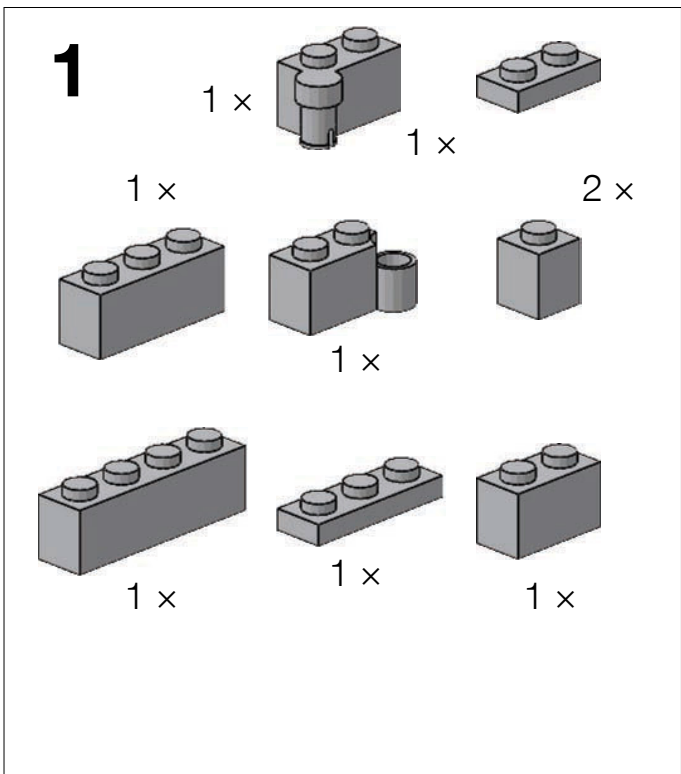


1 x

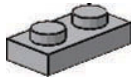


1 x





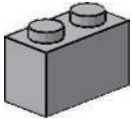
4



1 x



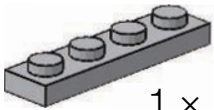
2 x



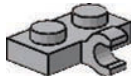
1 x



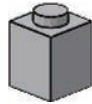
1 x



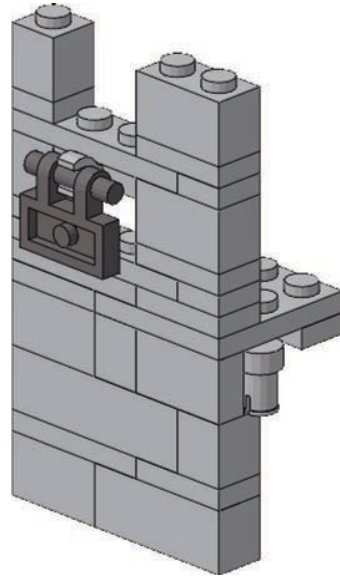
1 x



1 x



1 x



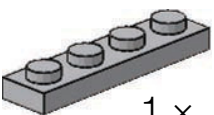
5



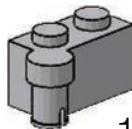
1 x



1 x



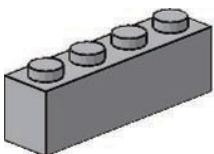
1 x



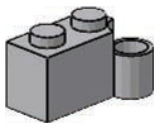
1 x



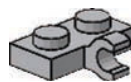
3 x



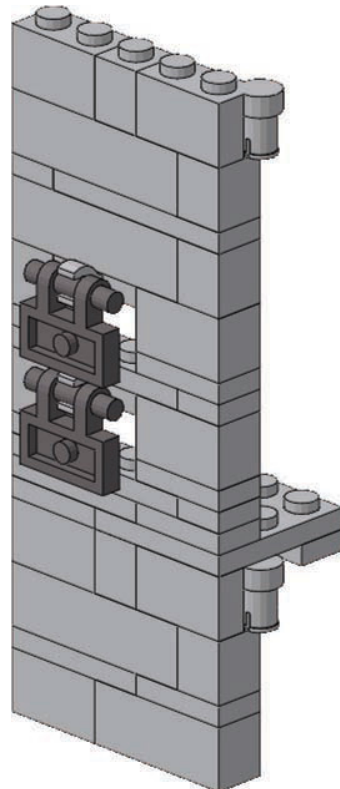
2 x



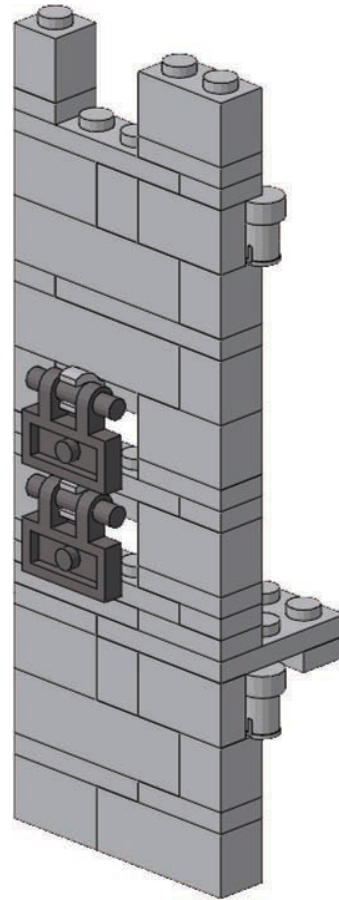
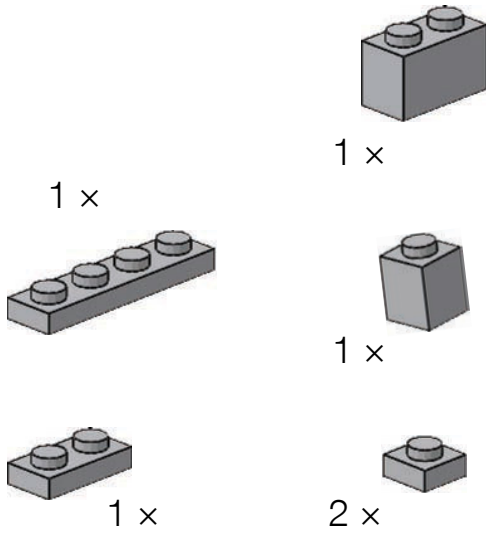
3 x



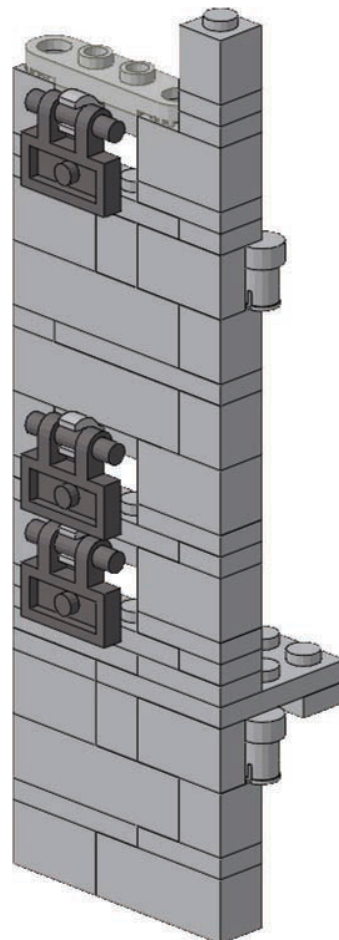
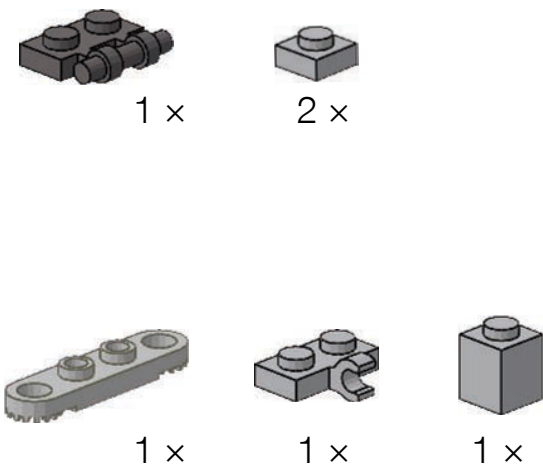
1 x



6



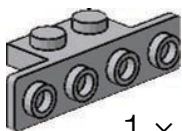
7



8



1 x



1 x



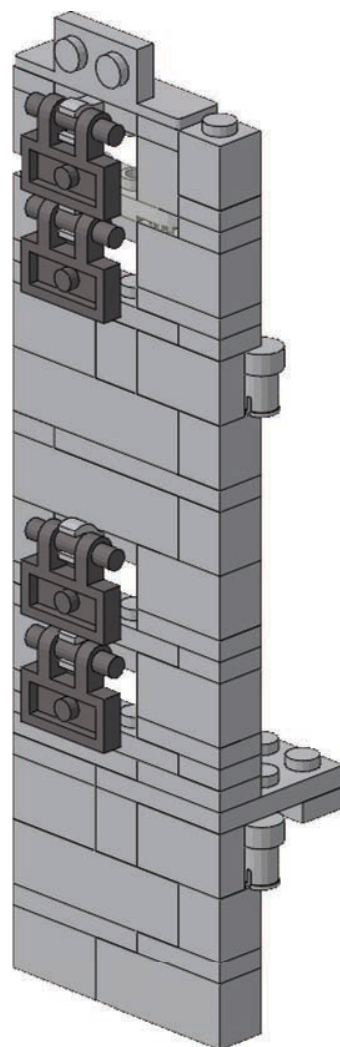
2 x



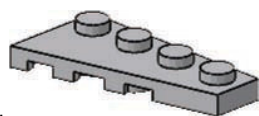
1 x



2 x



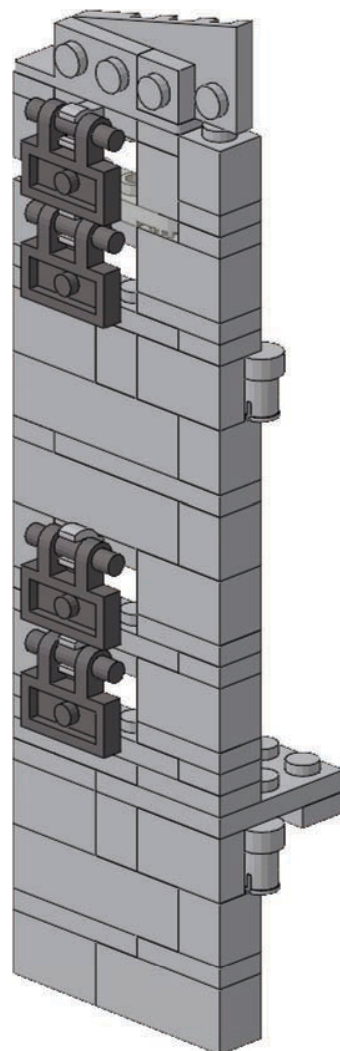
9



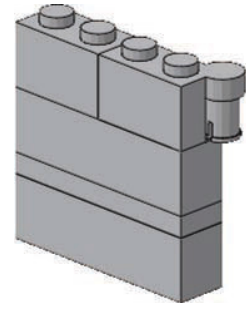
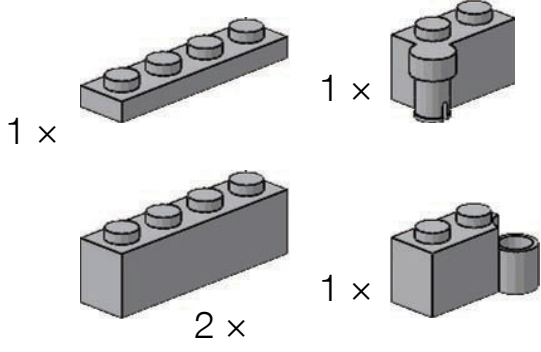
1 x



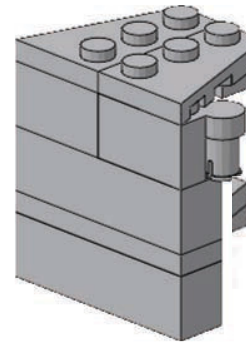
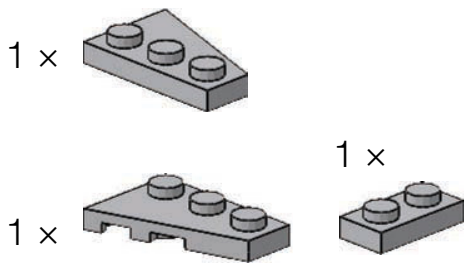
1 x



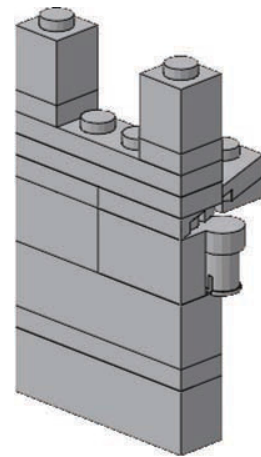
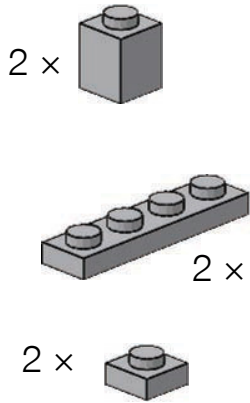
1



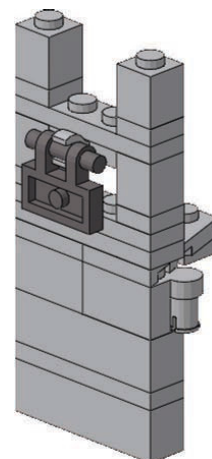
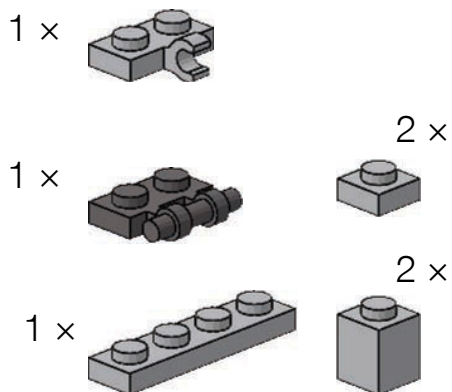
2



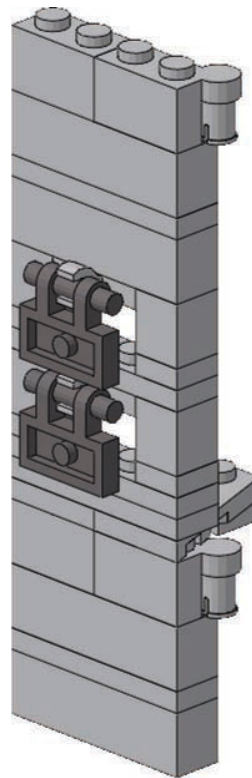
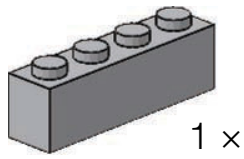
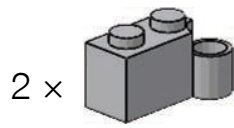
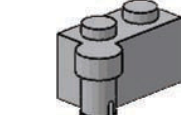
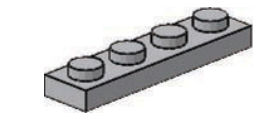
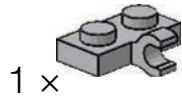
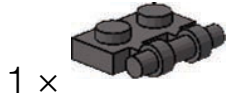
3



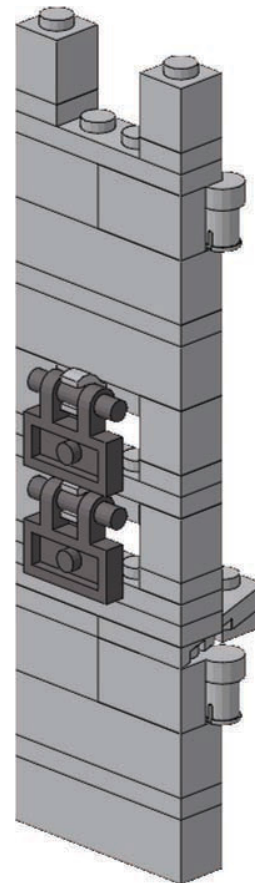
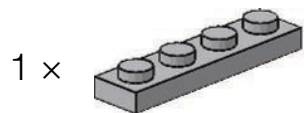
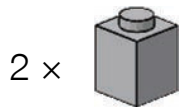
4



5



6



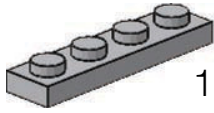
7

2 x 

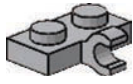


2 x

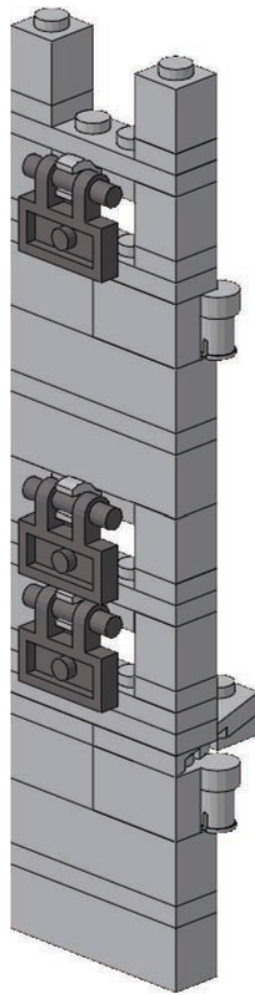
1 x



1 x



1 x

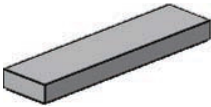


8

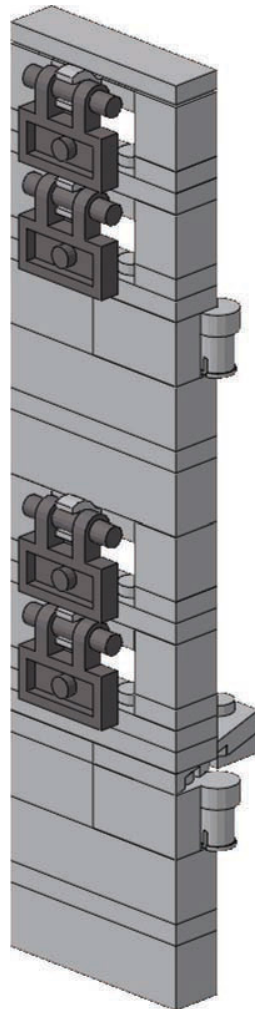
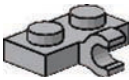
1 x

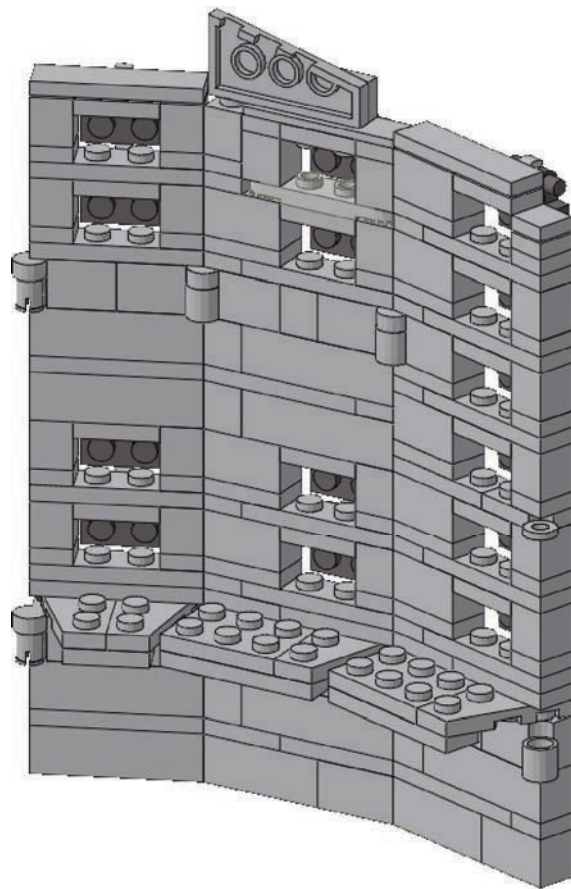


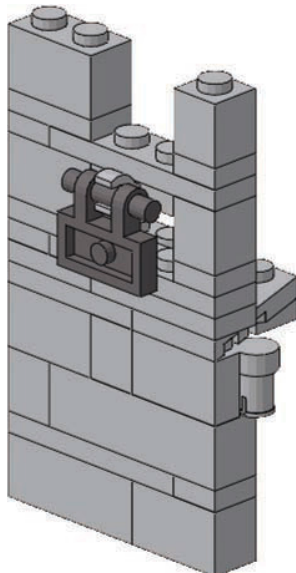
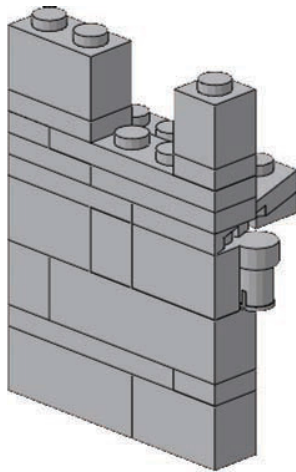
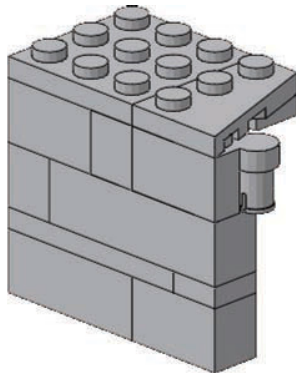
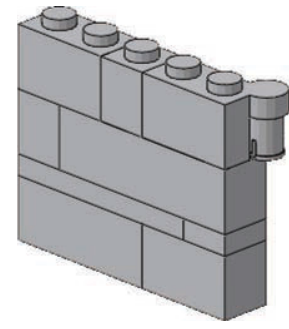
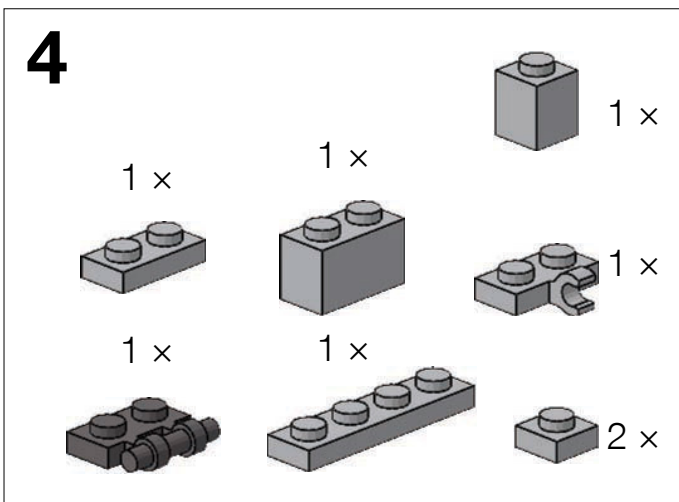
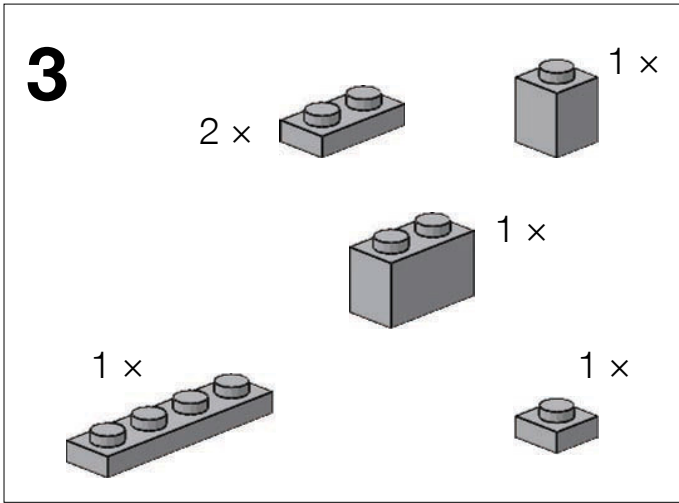
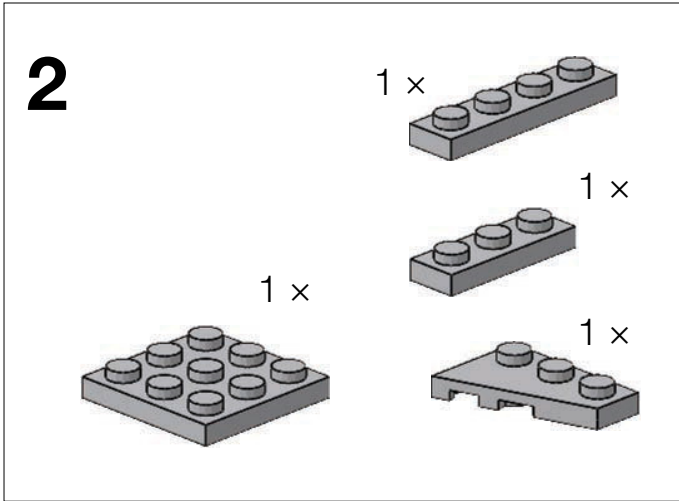
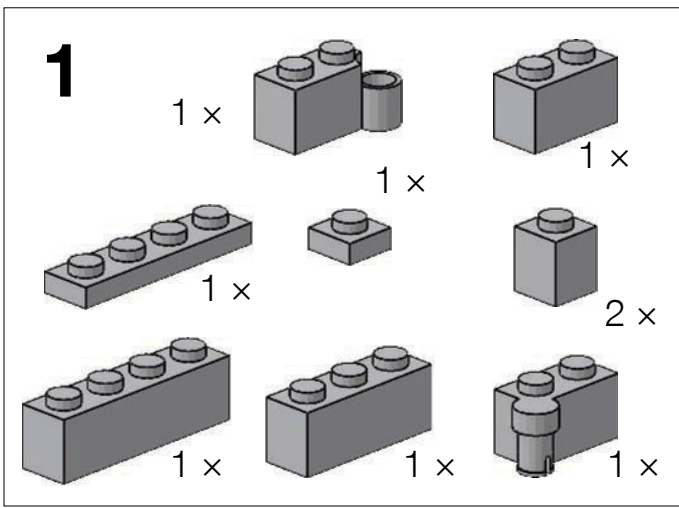
1 x



1 x



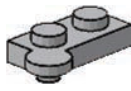




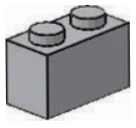
5



1 x



1 x



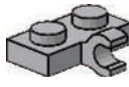
1 x



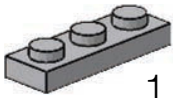
1 x



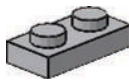
1 x



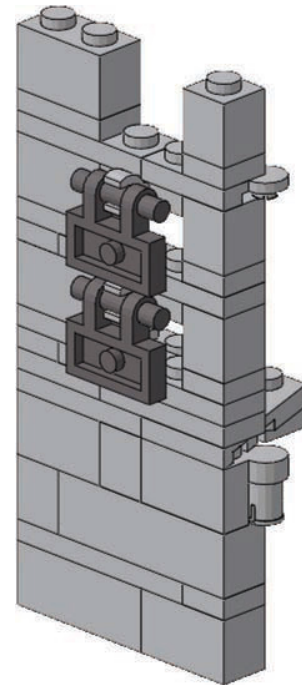
1 x



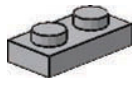
1 x



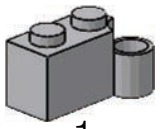
1 x



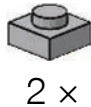
6



1 x



1 x

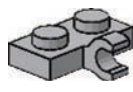


2 x

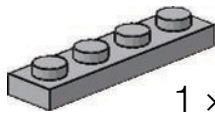
1 x



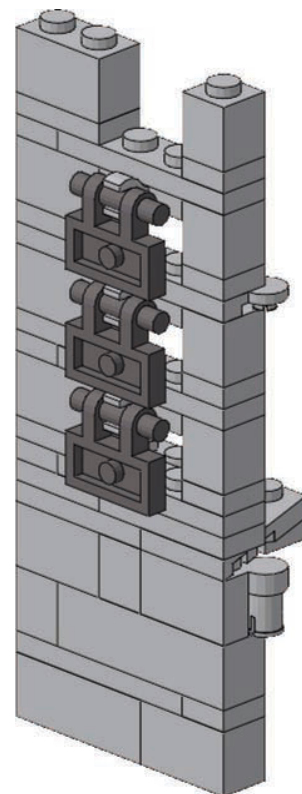
1 x



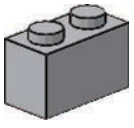
1 x



1 x



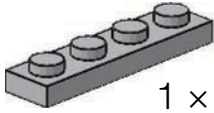
7



1 x



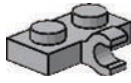
1 x



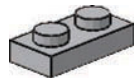
1 x



1 x



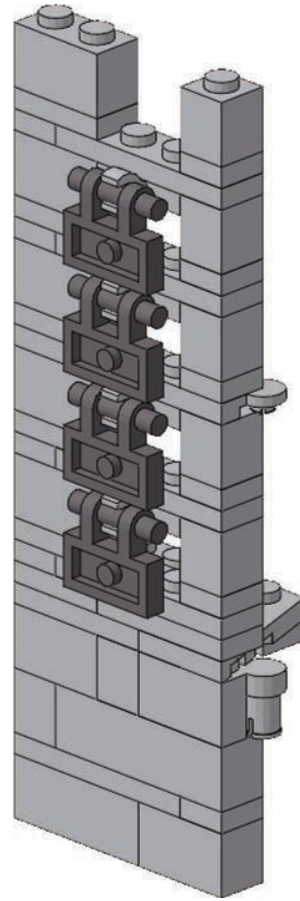
1 x



1 x



2 x



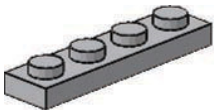
8



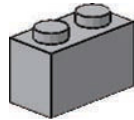
3 x



1 x



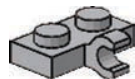
1 x



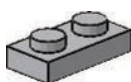
1 x



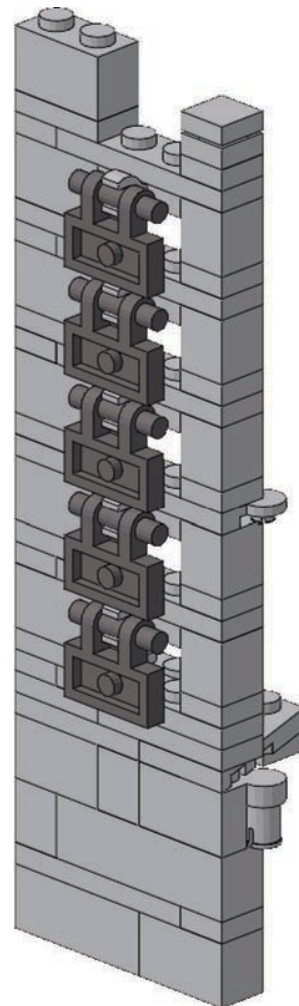
1 x

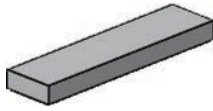


1 x



1 x

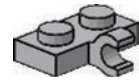




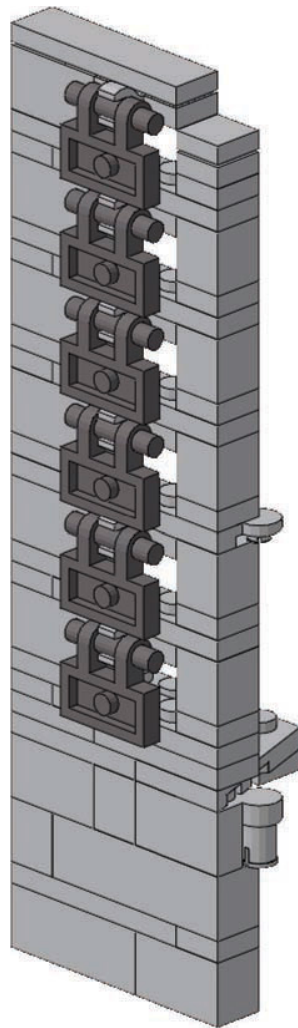
1 x



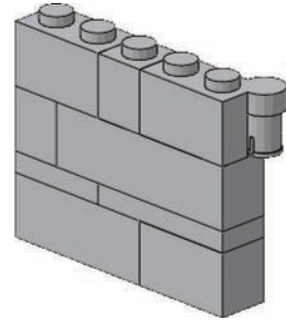
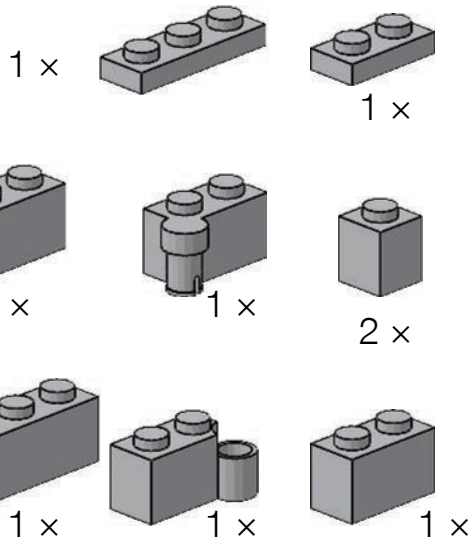
1 x



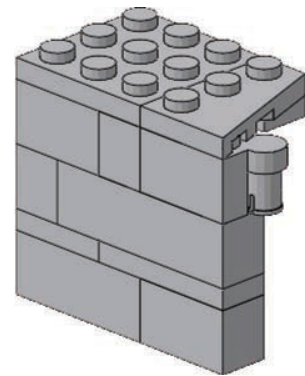
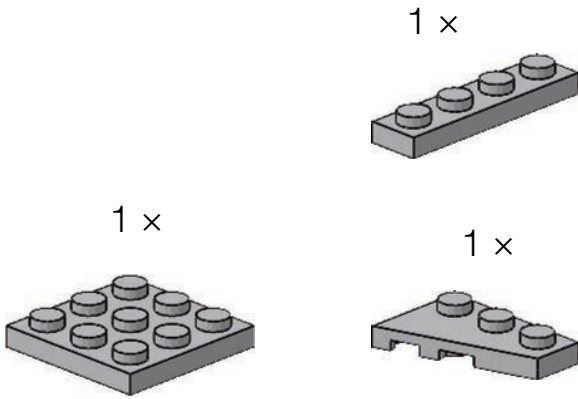
1 x



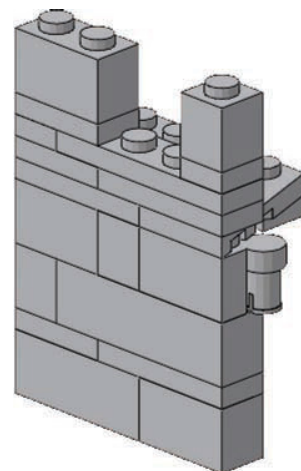
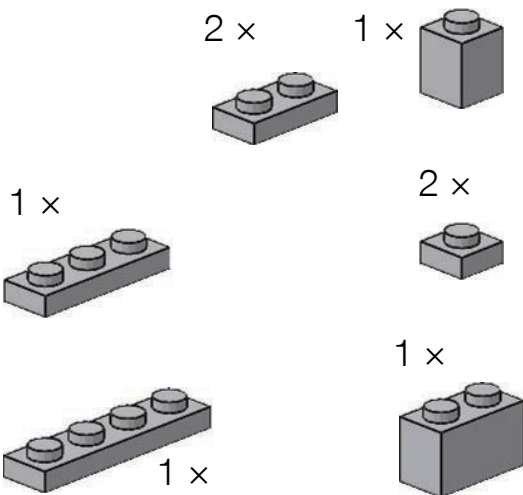
1



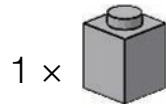
2



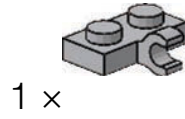
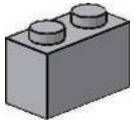
3



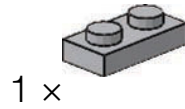
4



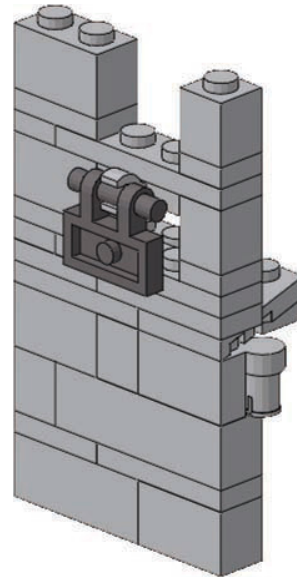
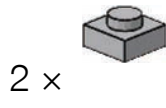
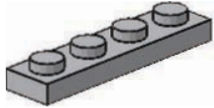
1 x



1 x

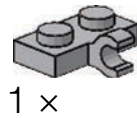
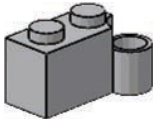


1 x

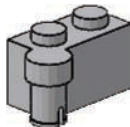


5

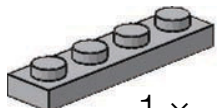
1 x



1 x



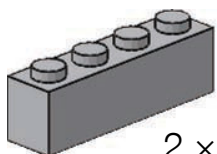
1 x



1 x



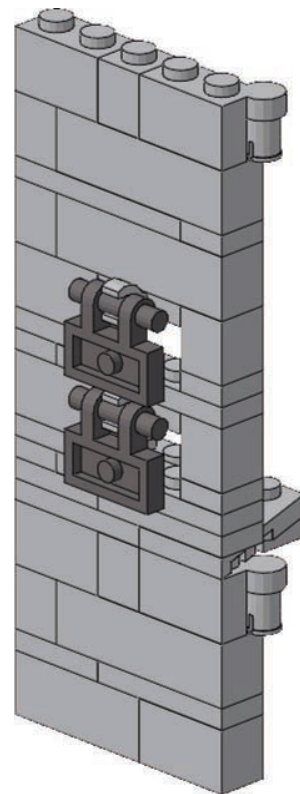
1 x



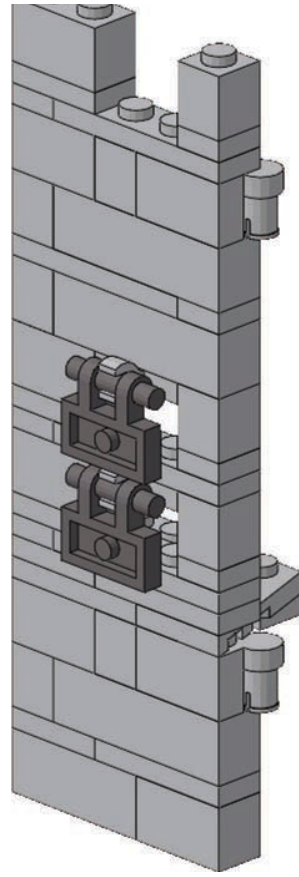
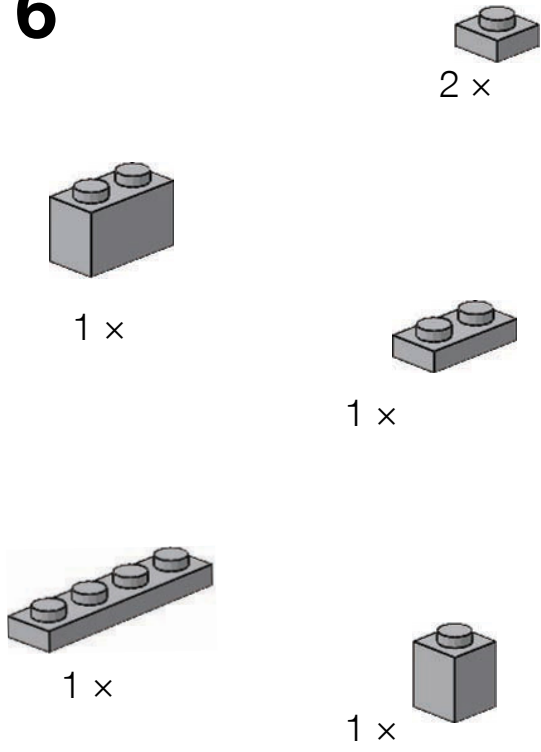
2 x



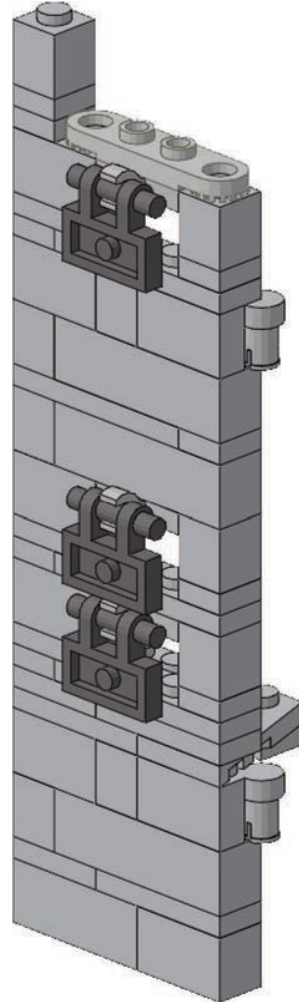
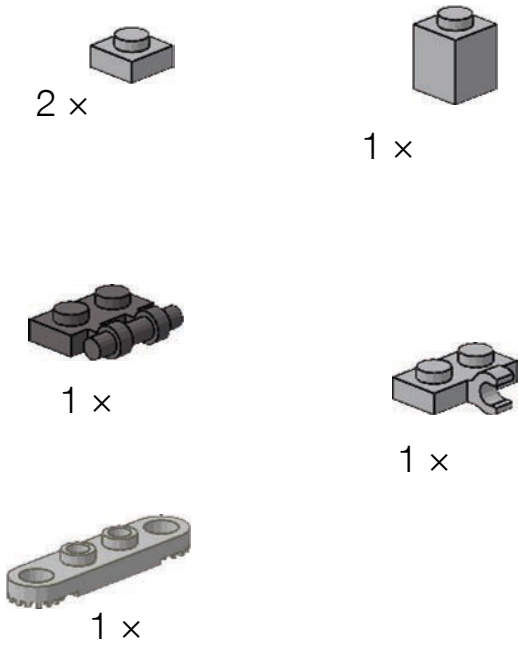
3 x



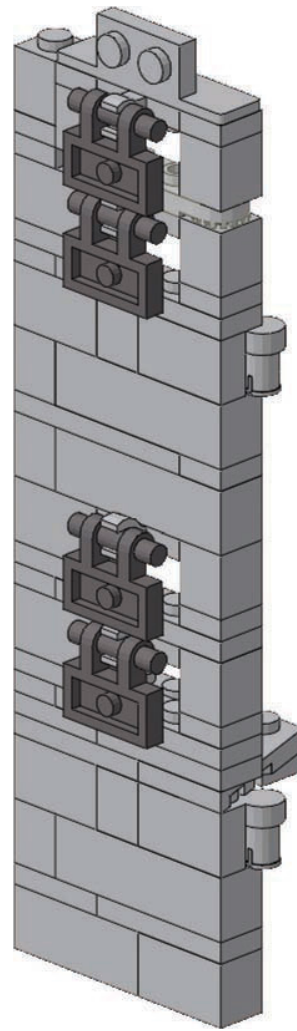
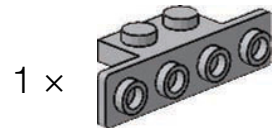
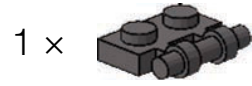
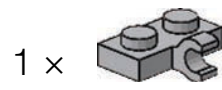
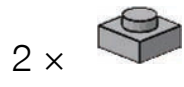
6



7



8

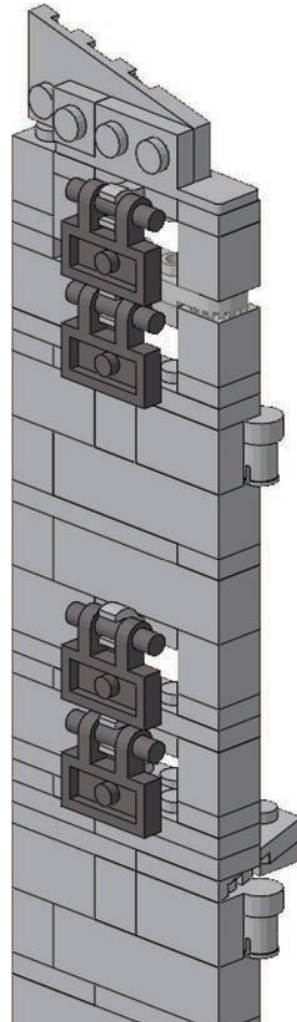
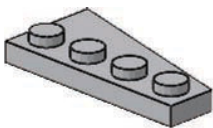


9

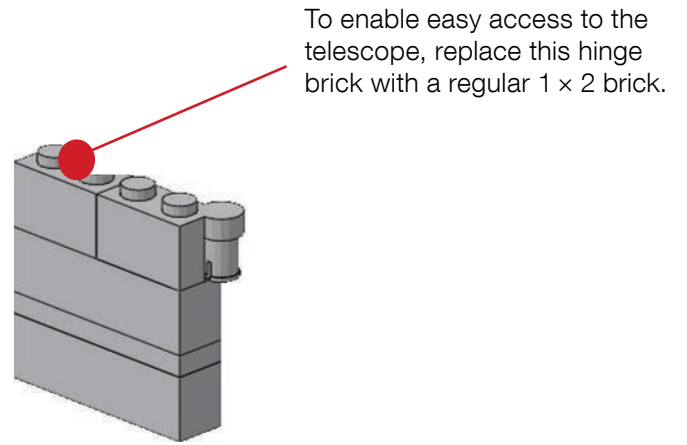
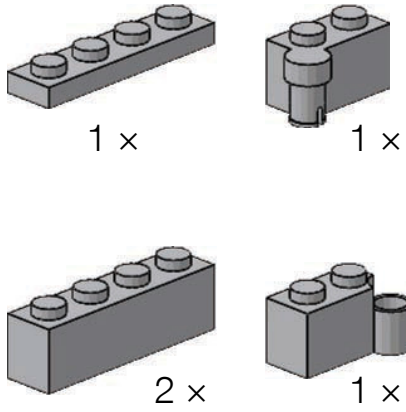
1 x



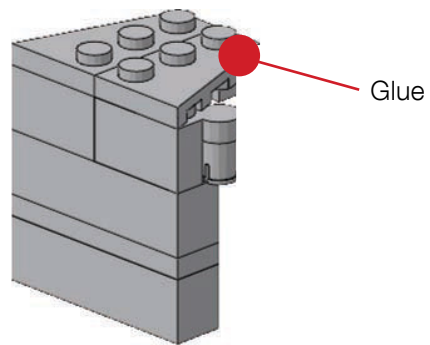
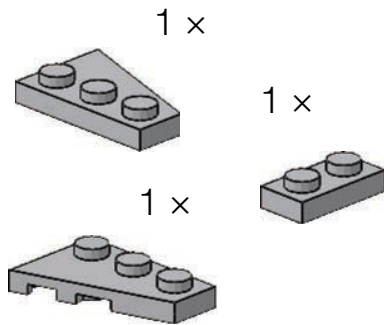
1 x



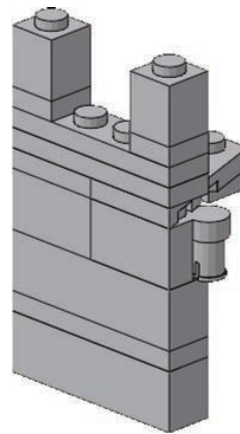
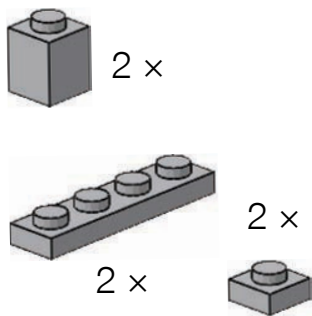
1



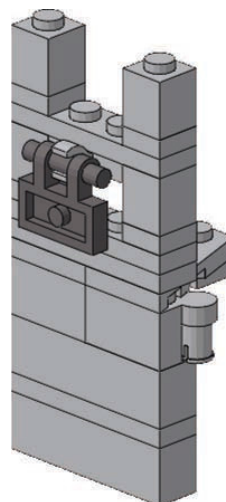
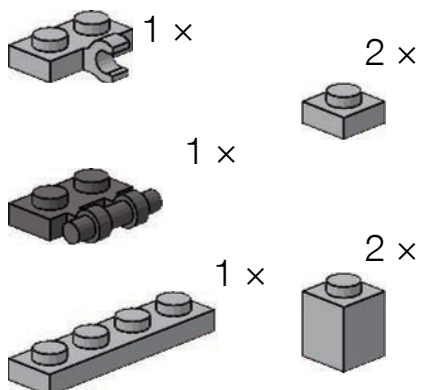
2



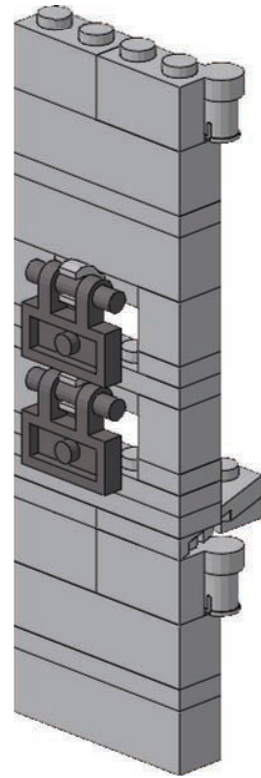
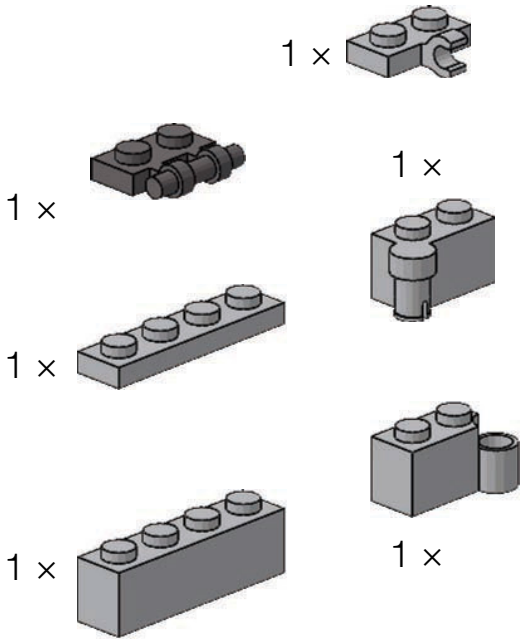
3



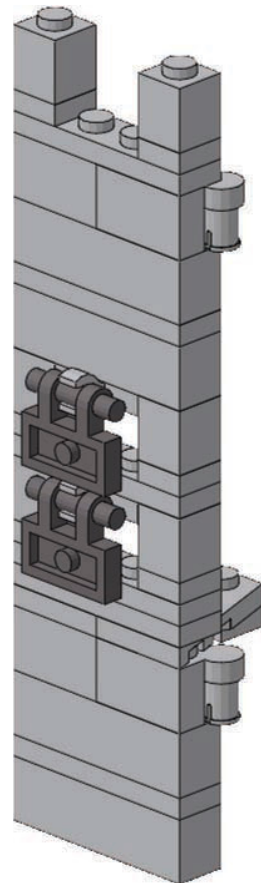
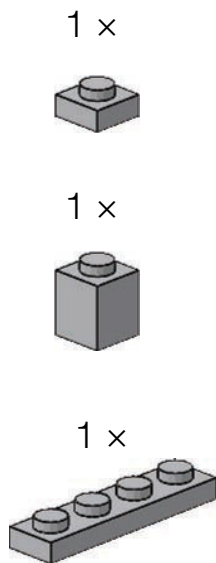
4



5



6



7



1 x



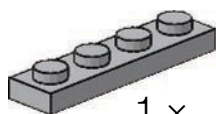
2 x



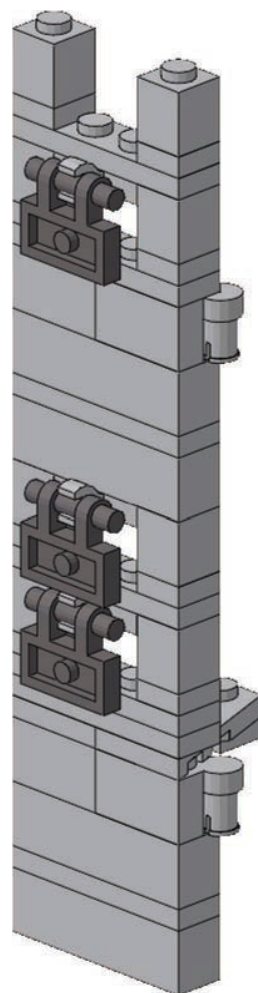
1 x



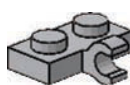
2 x



1 x



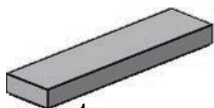
8



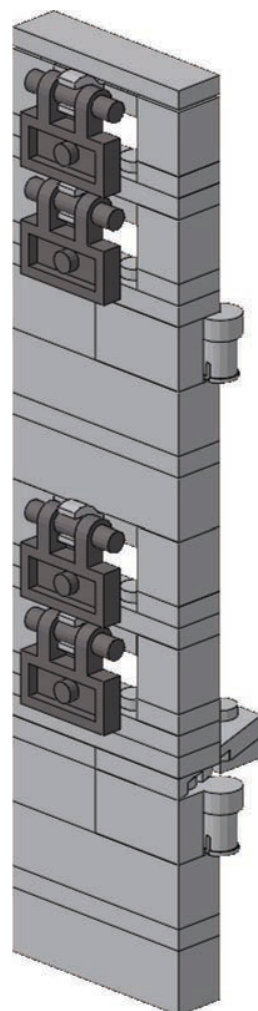
1 x

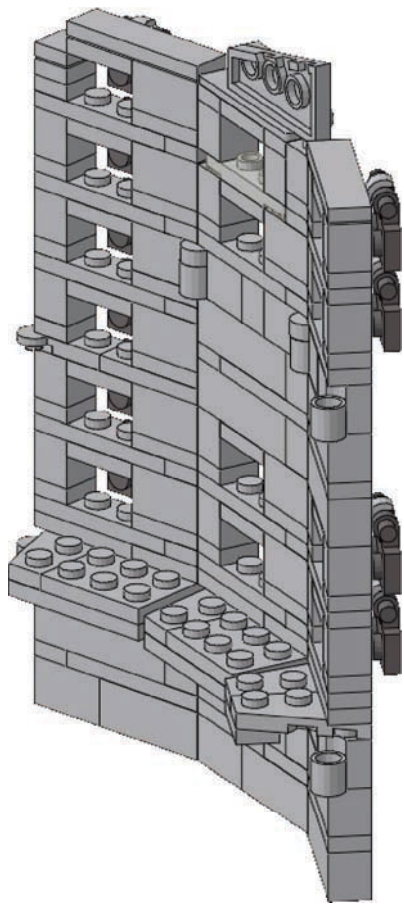


1 x

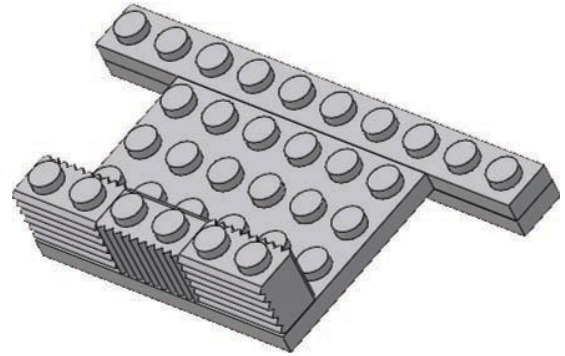
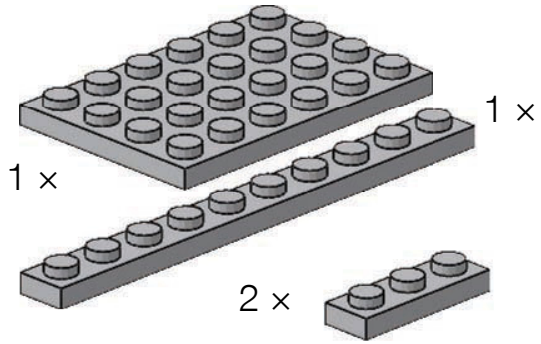
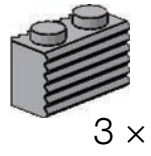


1 x

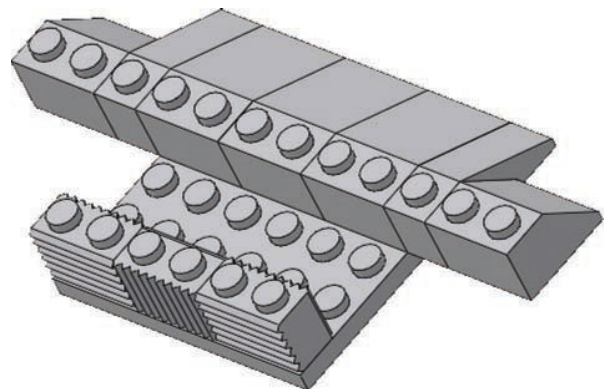
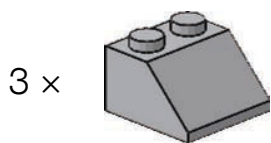
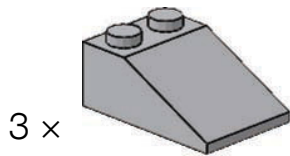
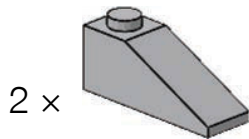




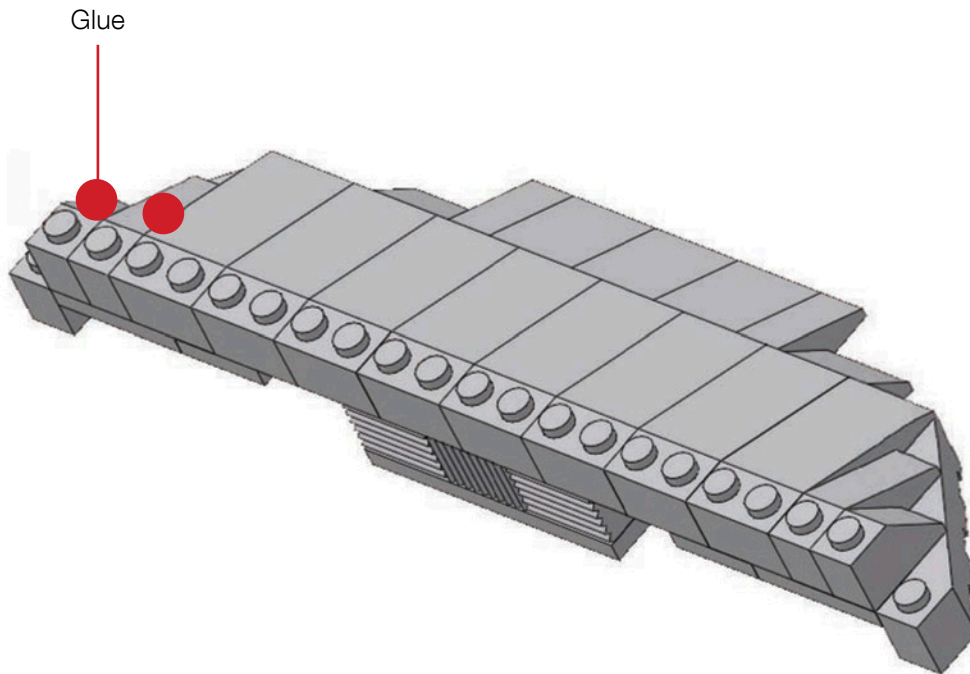
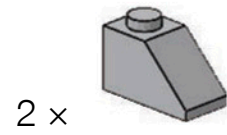
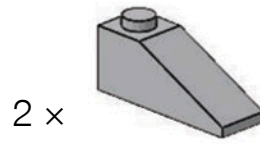
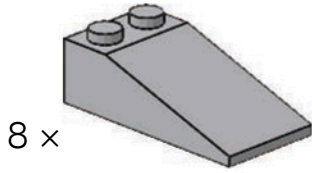
1



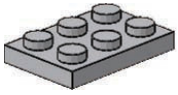
2



4



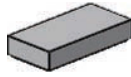
5



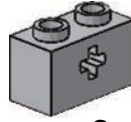
1 x



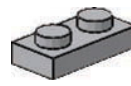
1 x



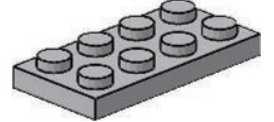
1 x



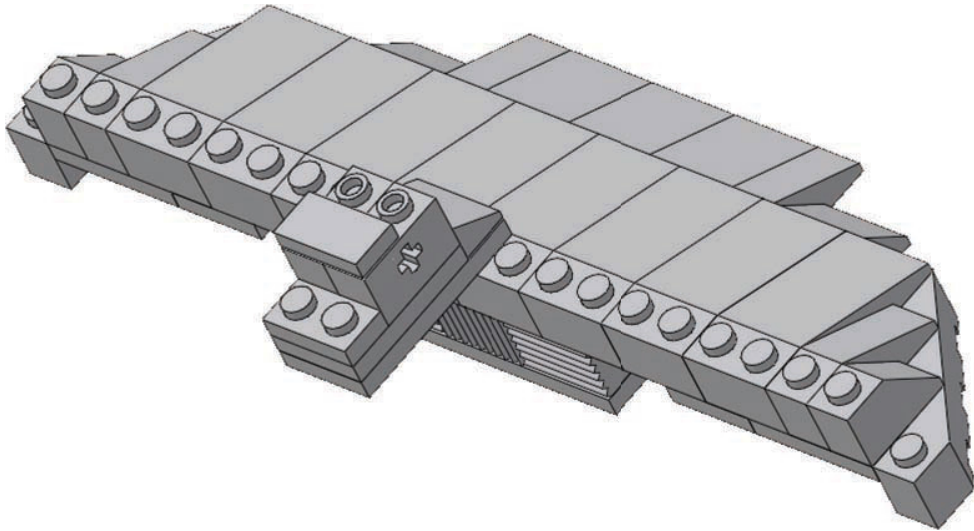
2 x



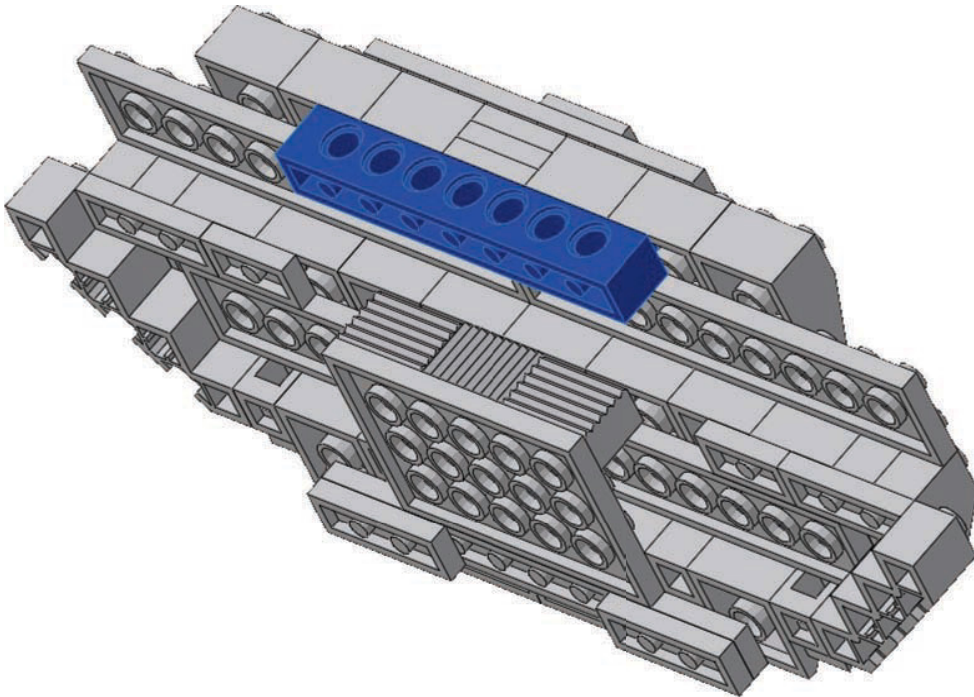
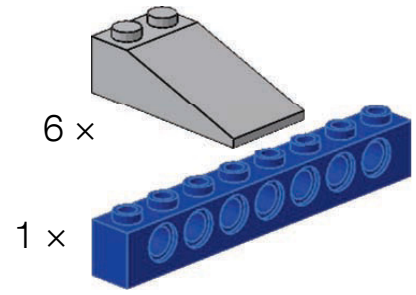
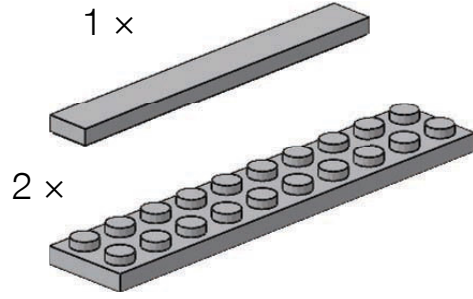
1 x



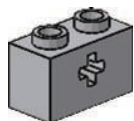
1 x



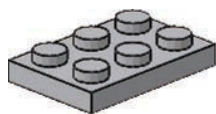
6



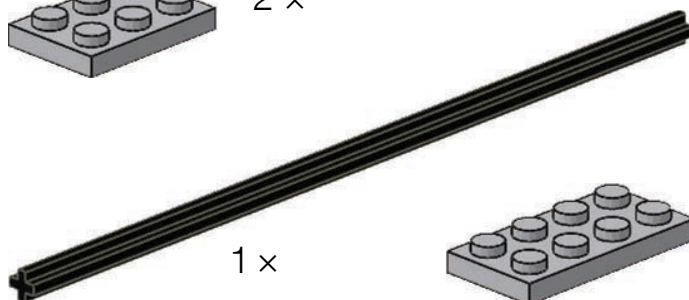
7



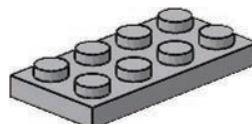
2 x



2 x



1 x



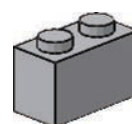
2 x



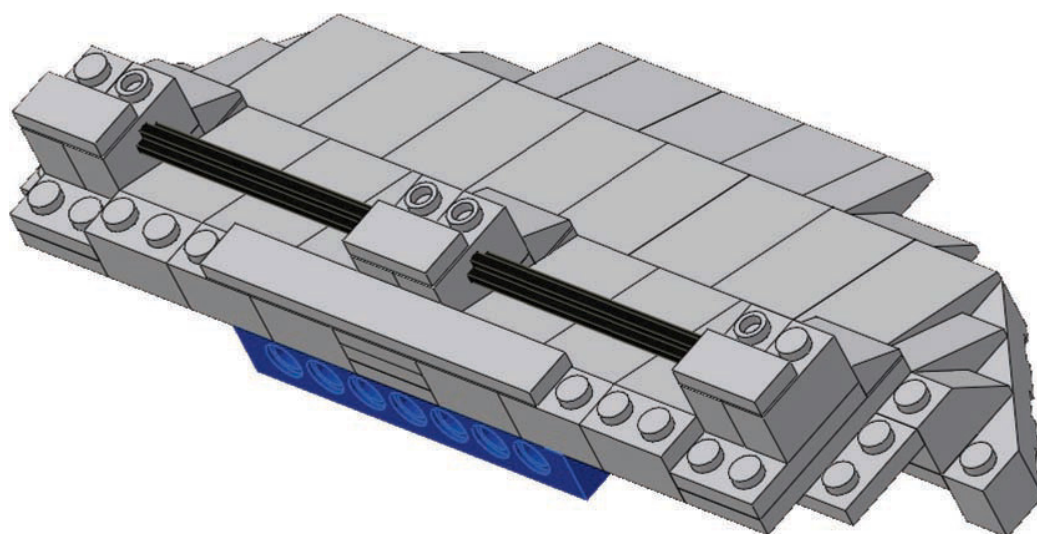
2 x



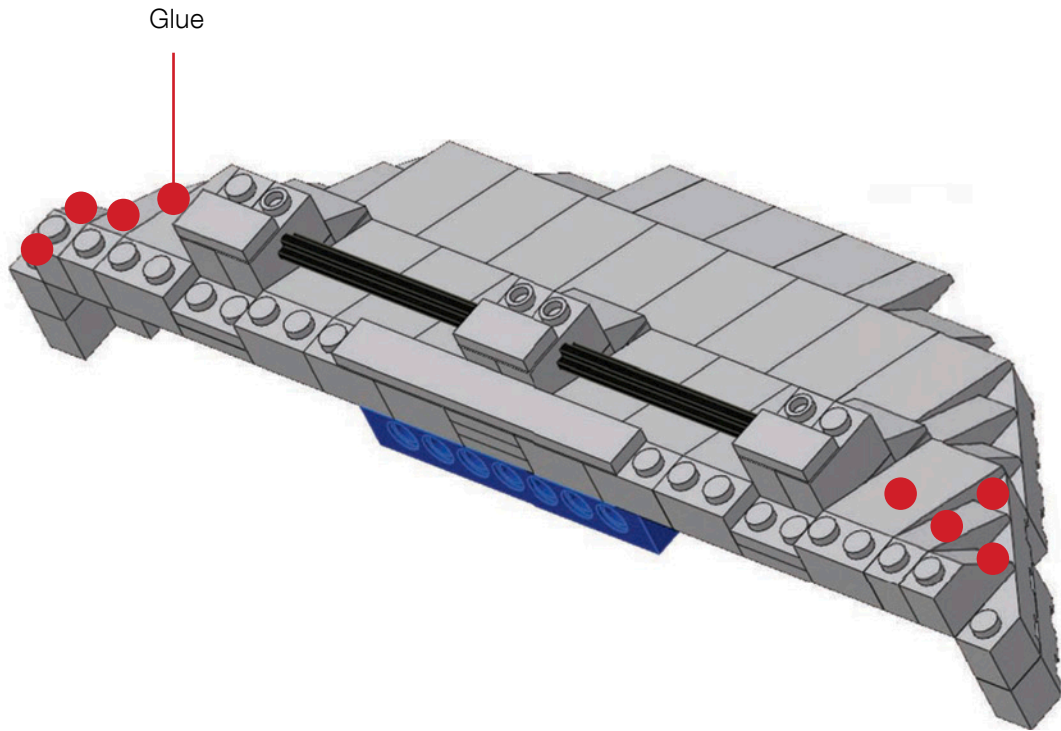
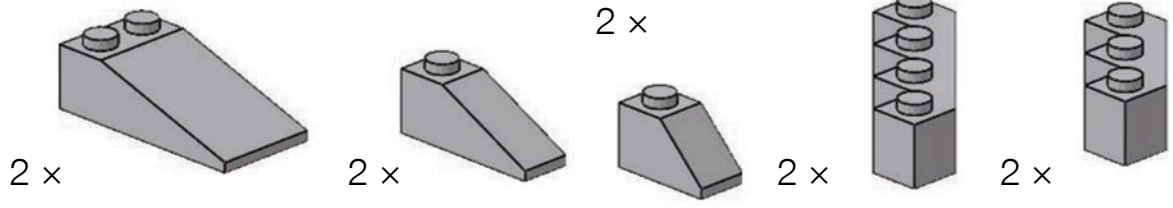
2 x



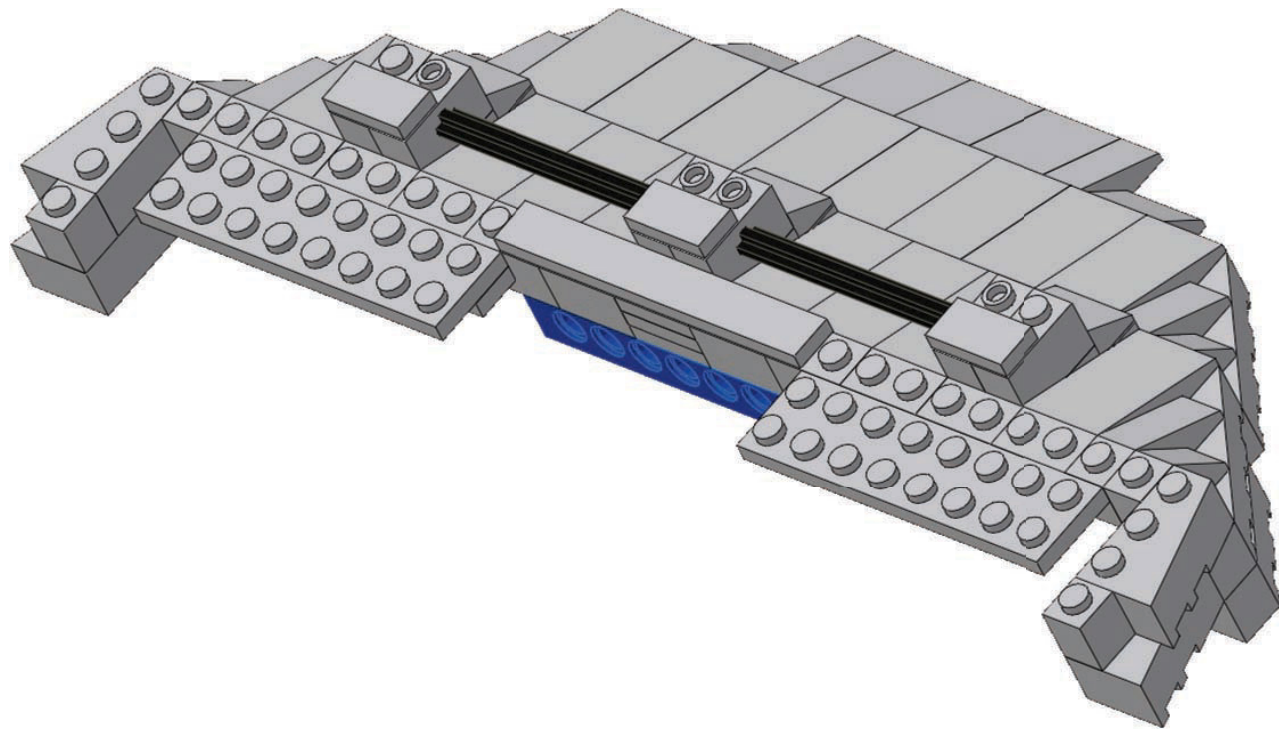
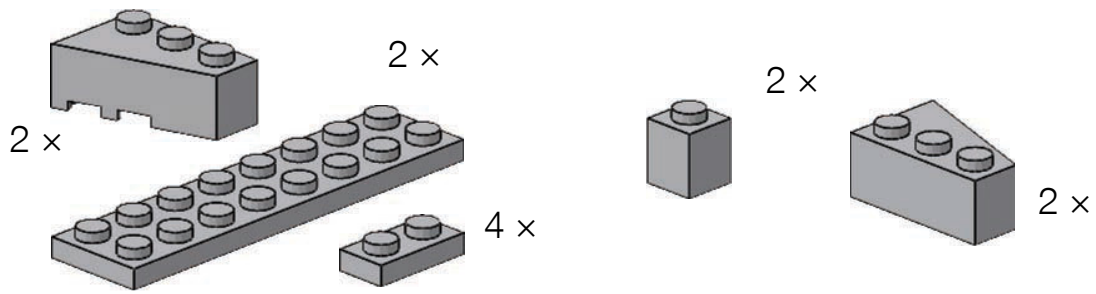
2 x



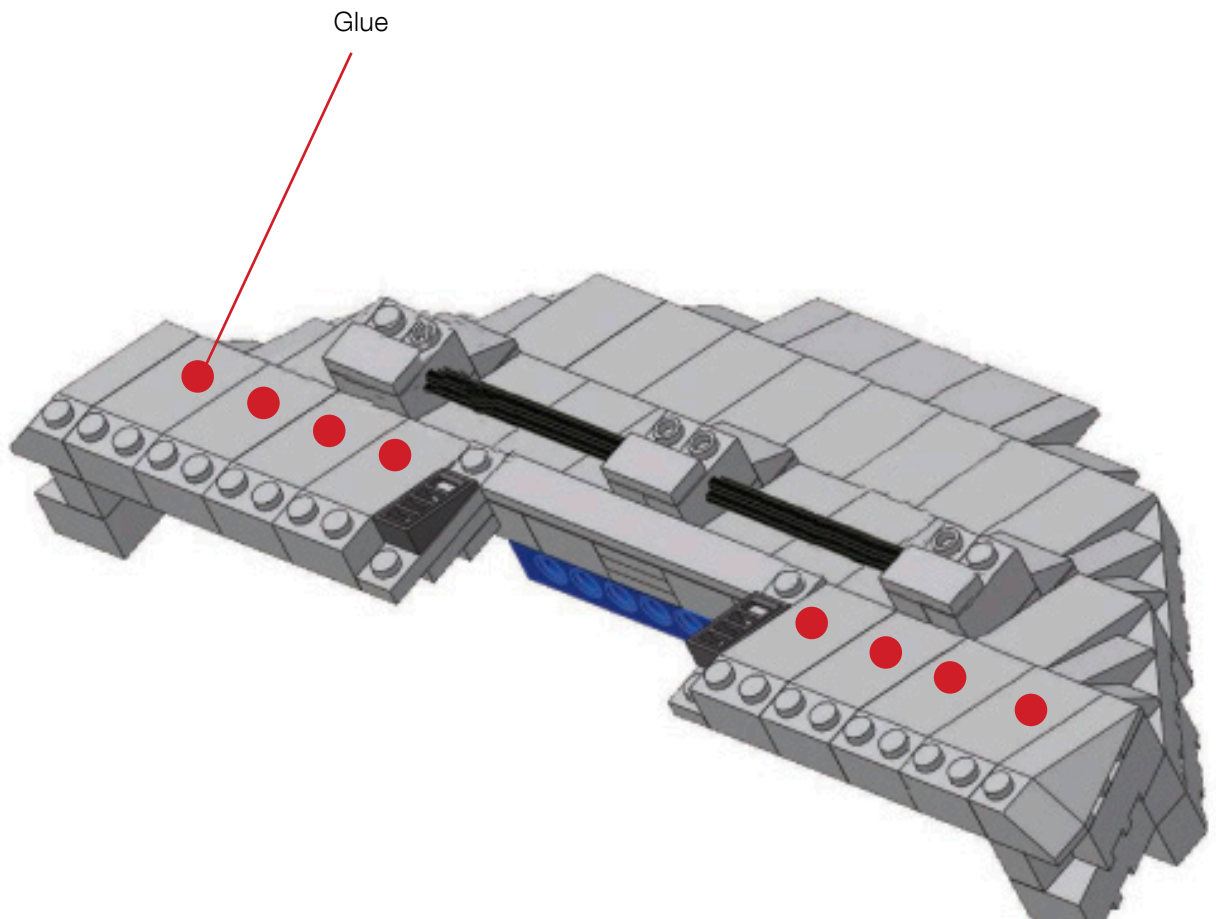
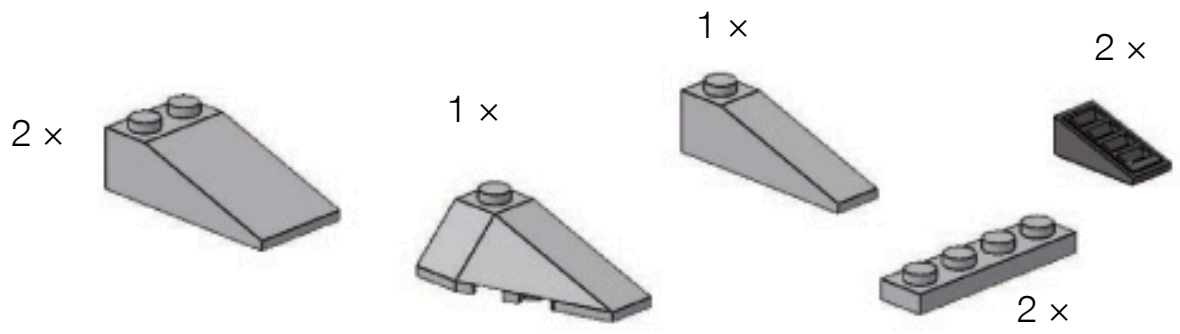
8



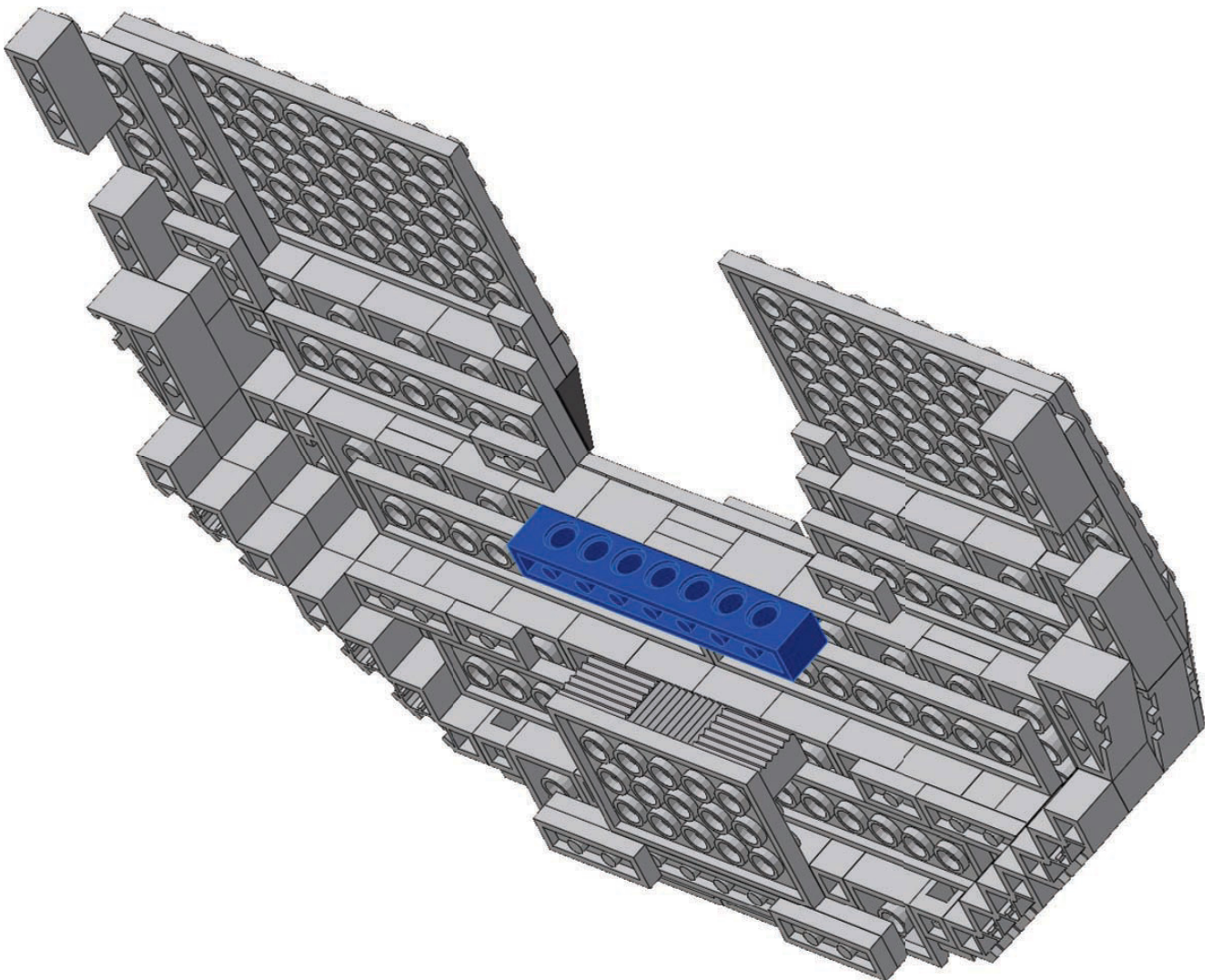
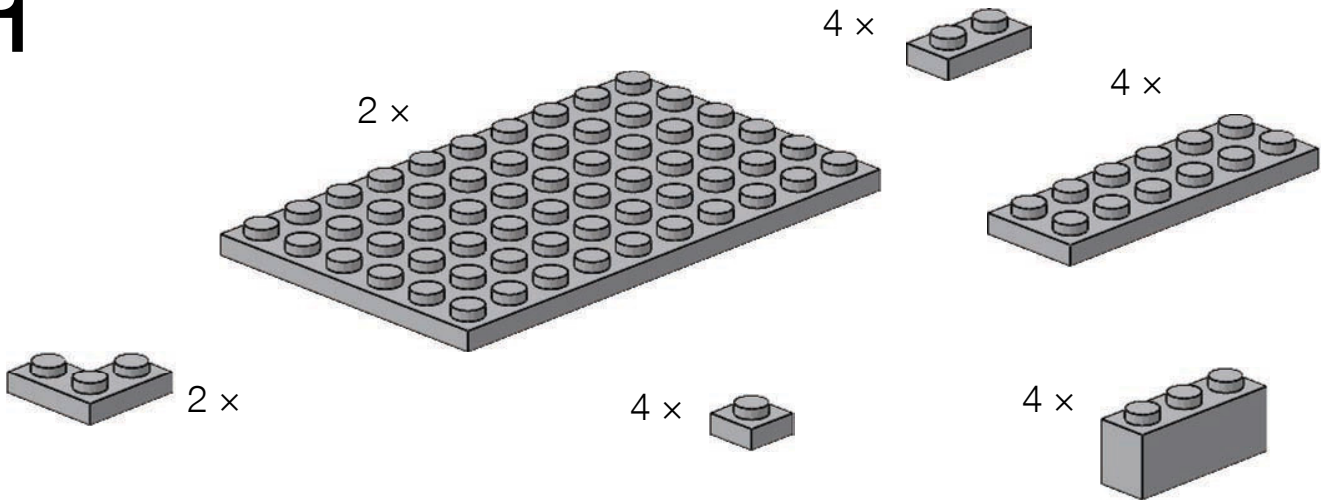
9



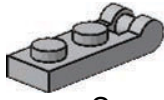
10



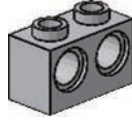
11



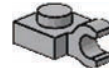
12



2 x



2 x

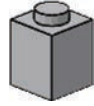
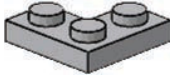


2 x



4 x

2 x

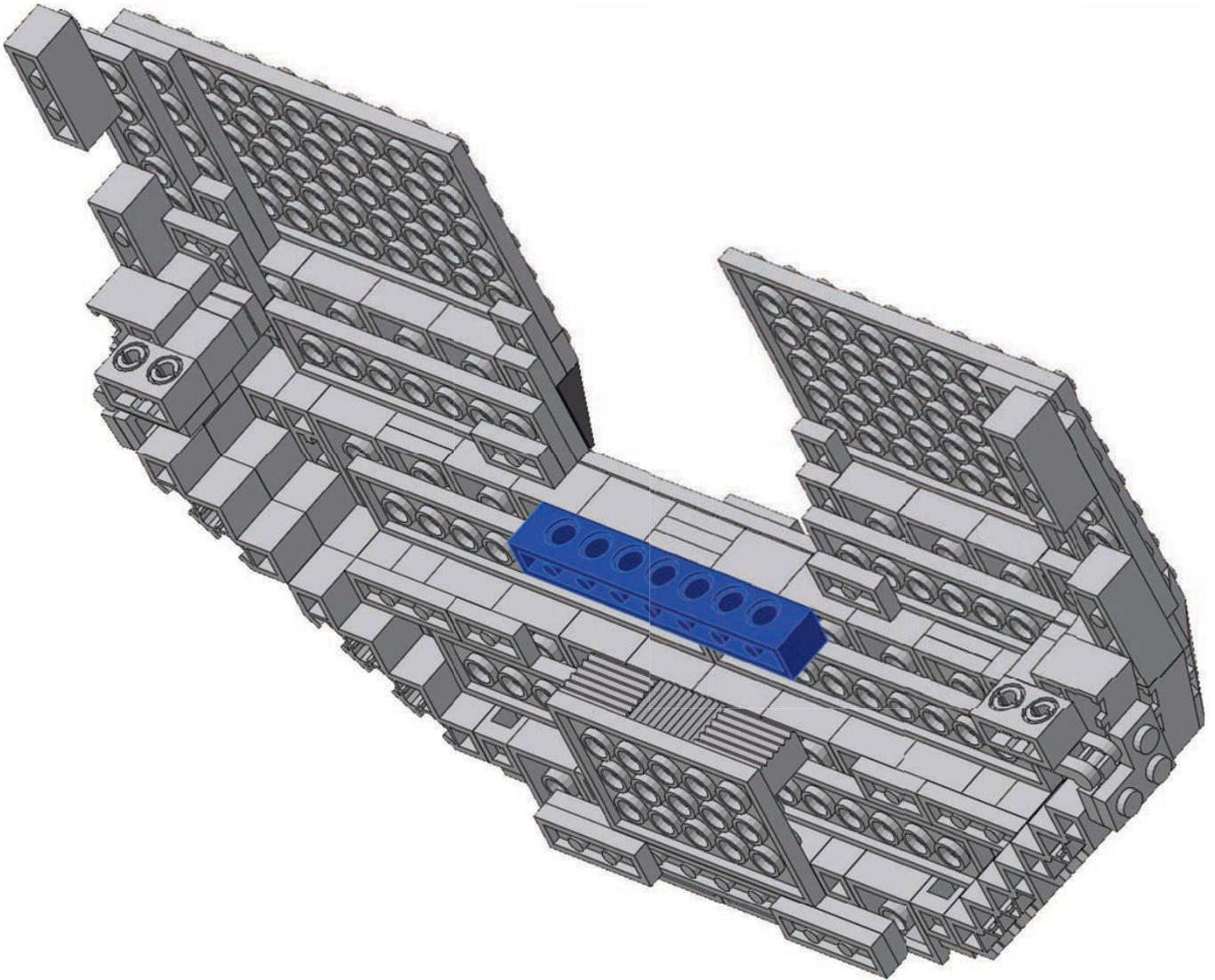


2 x

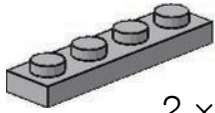


2 x

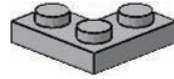
4 x



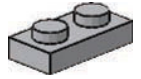
13



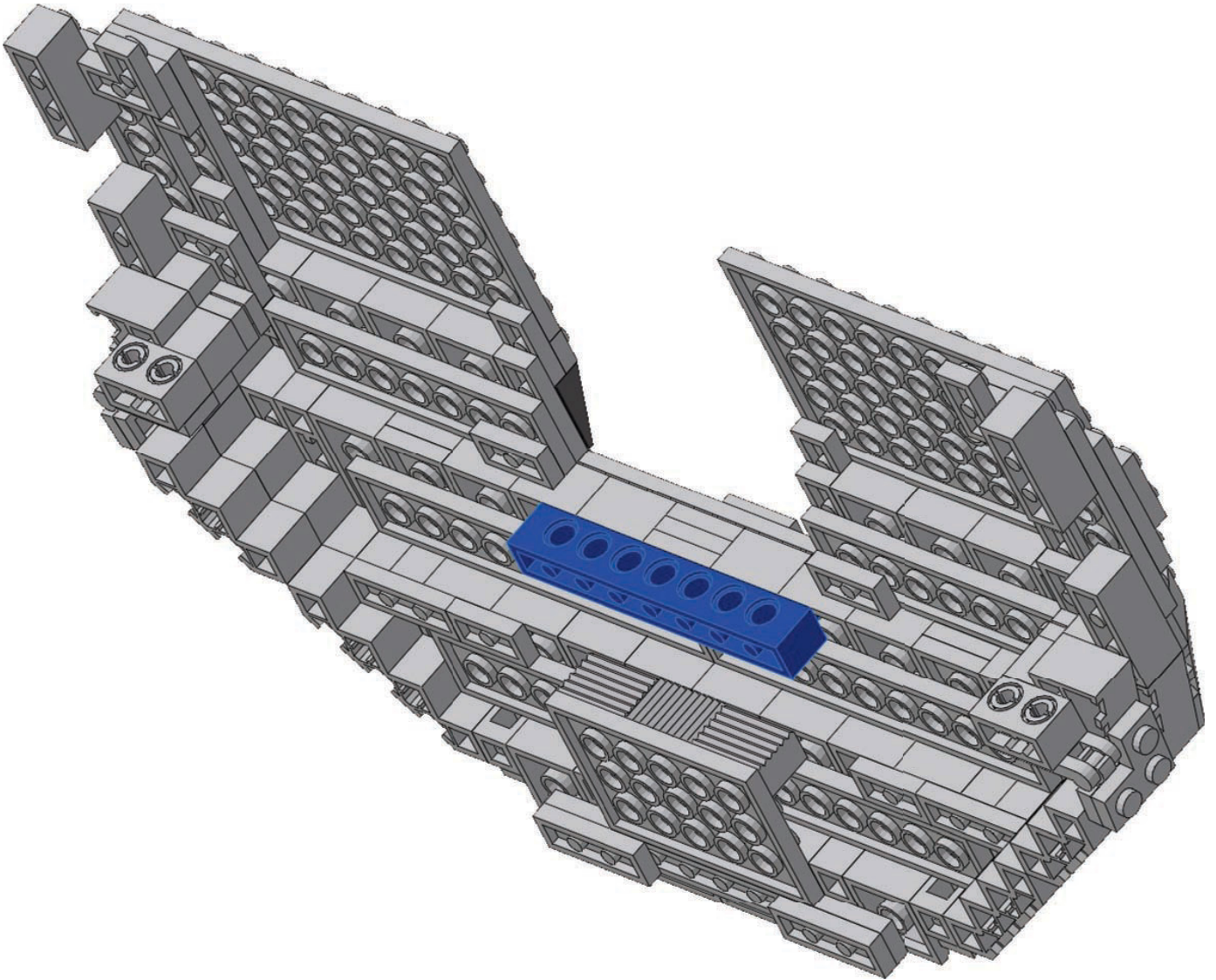
2 x



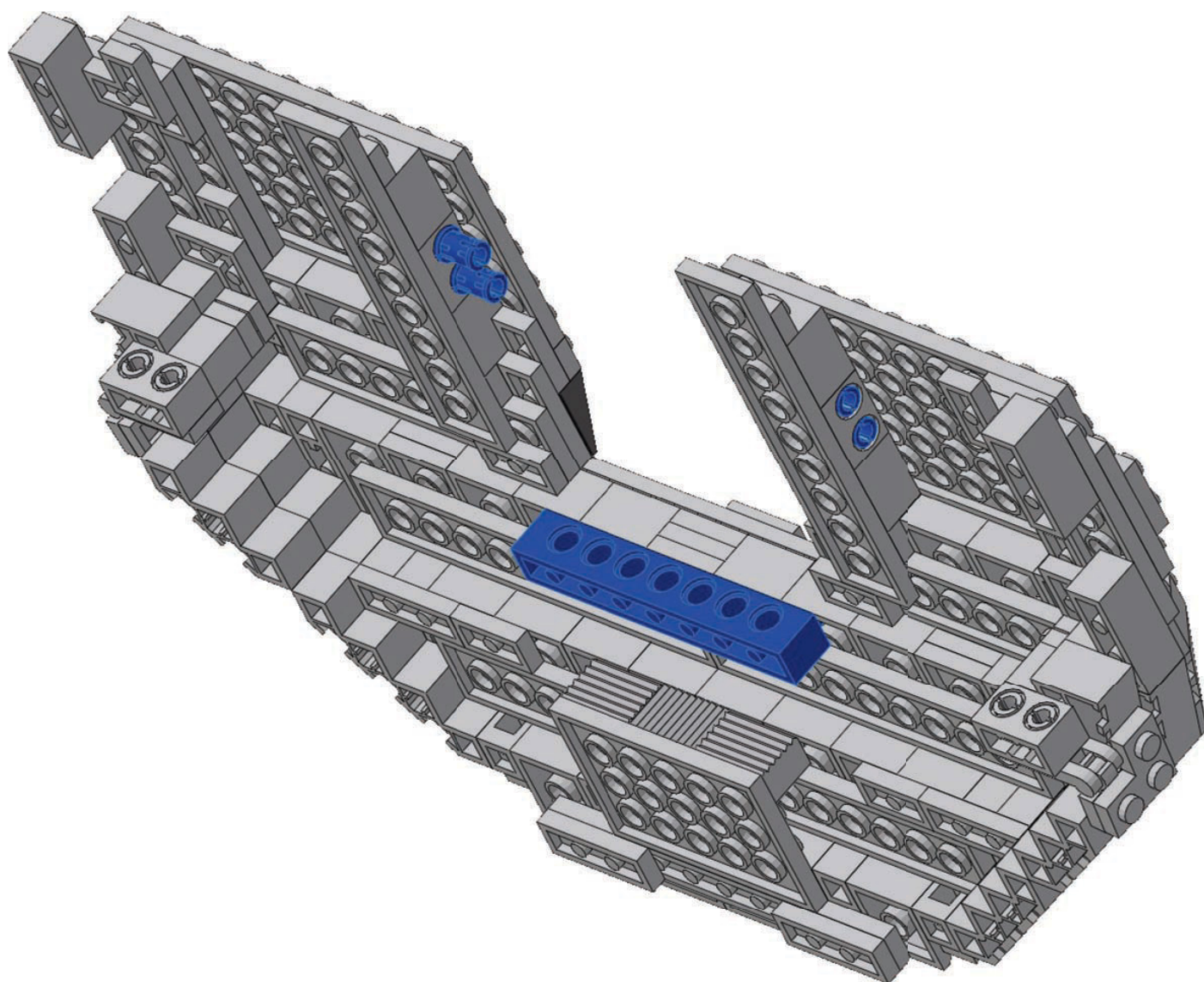
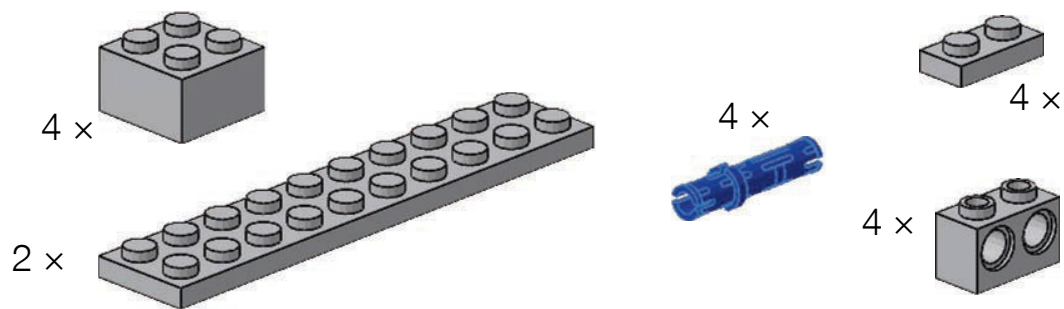
2 x



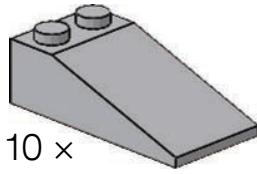
4 x



14



15



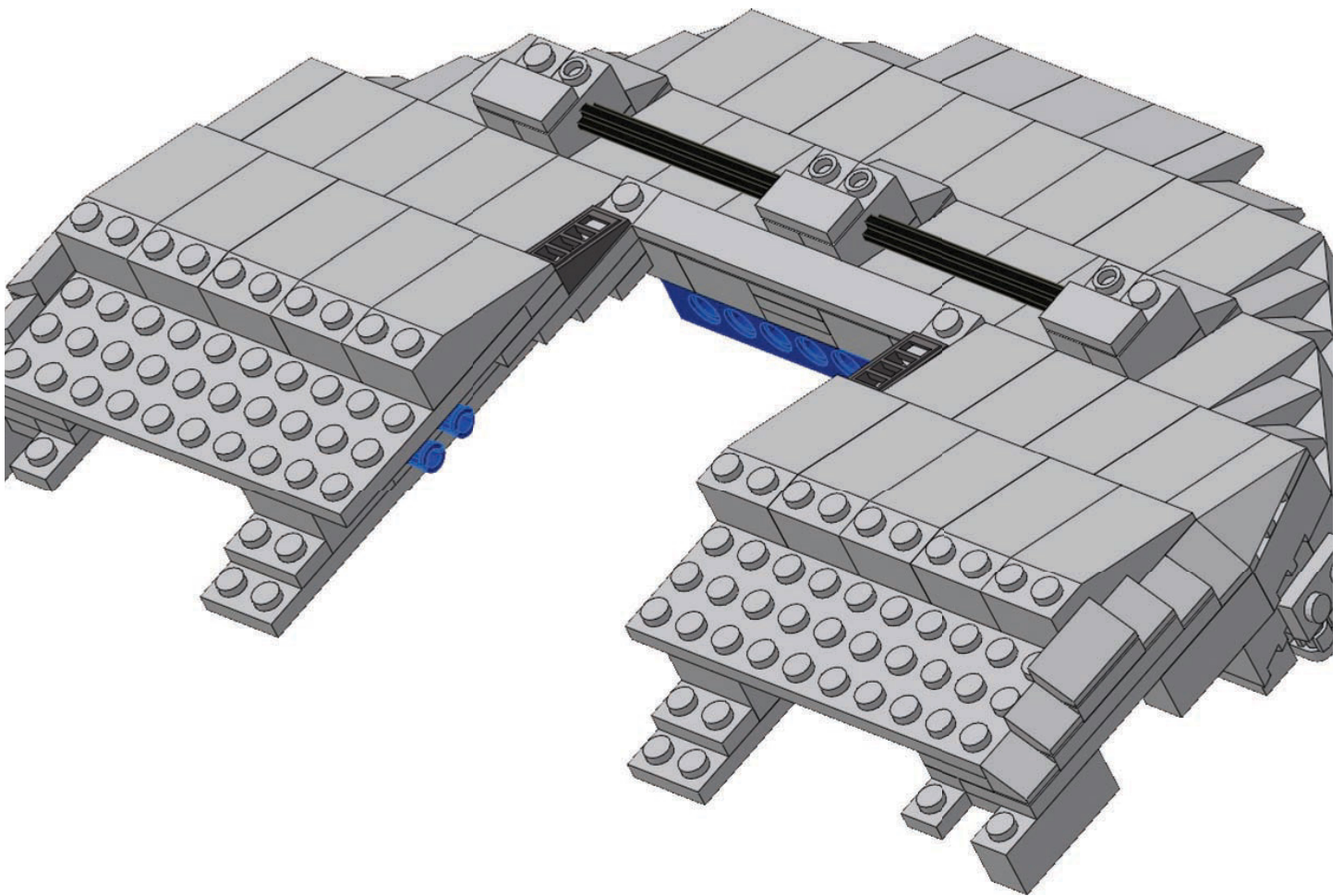
10 x



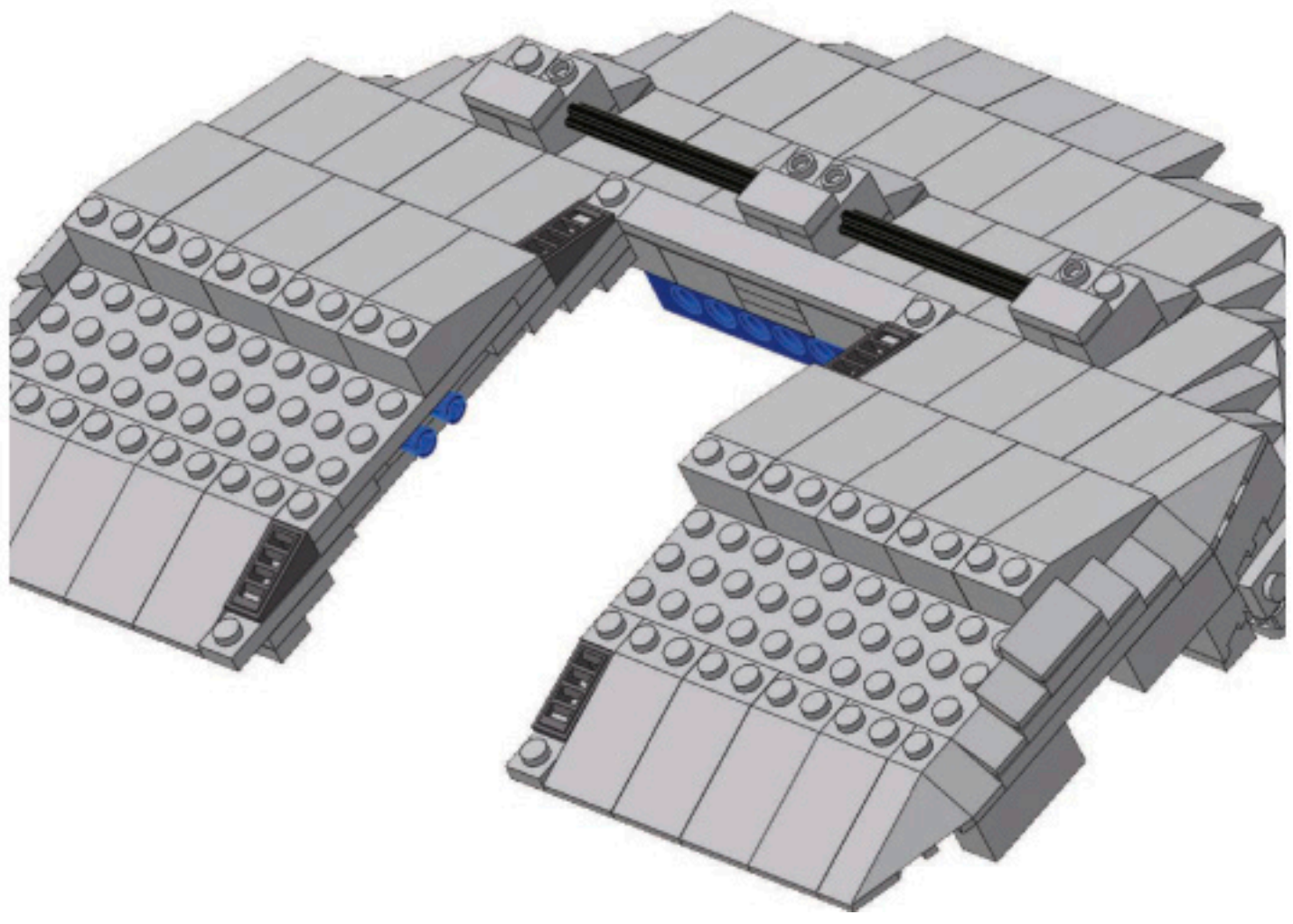
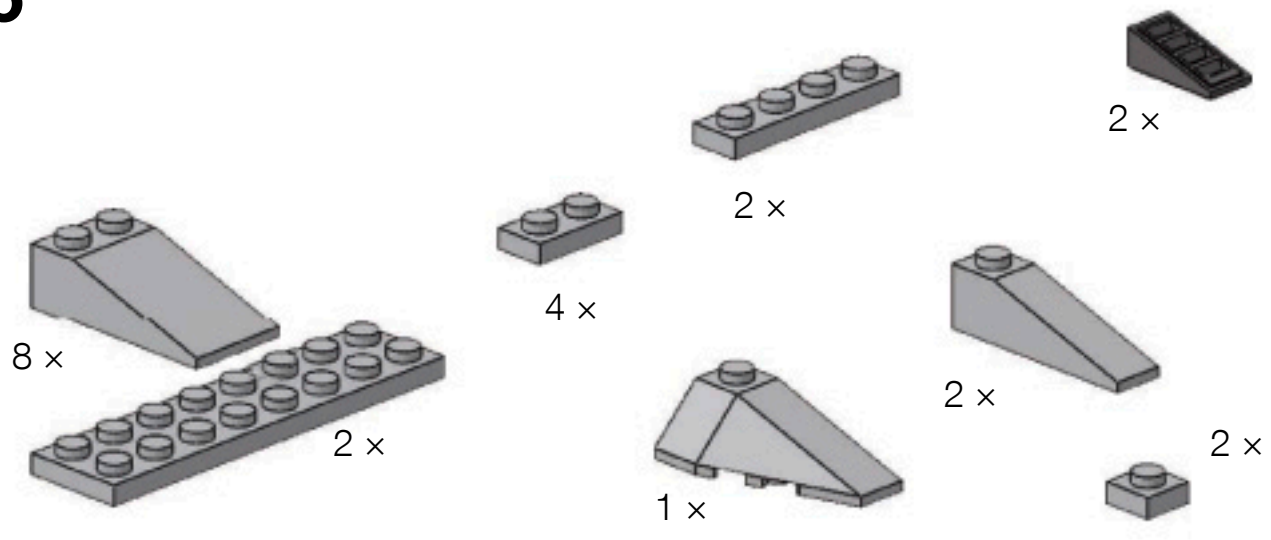
2 x



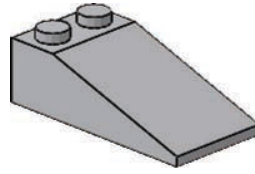
8 x



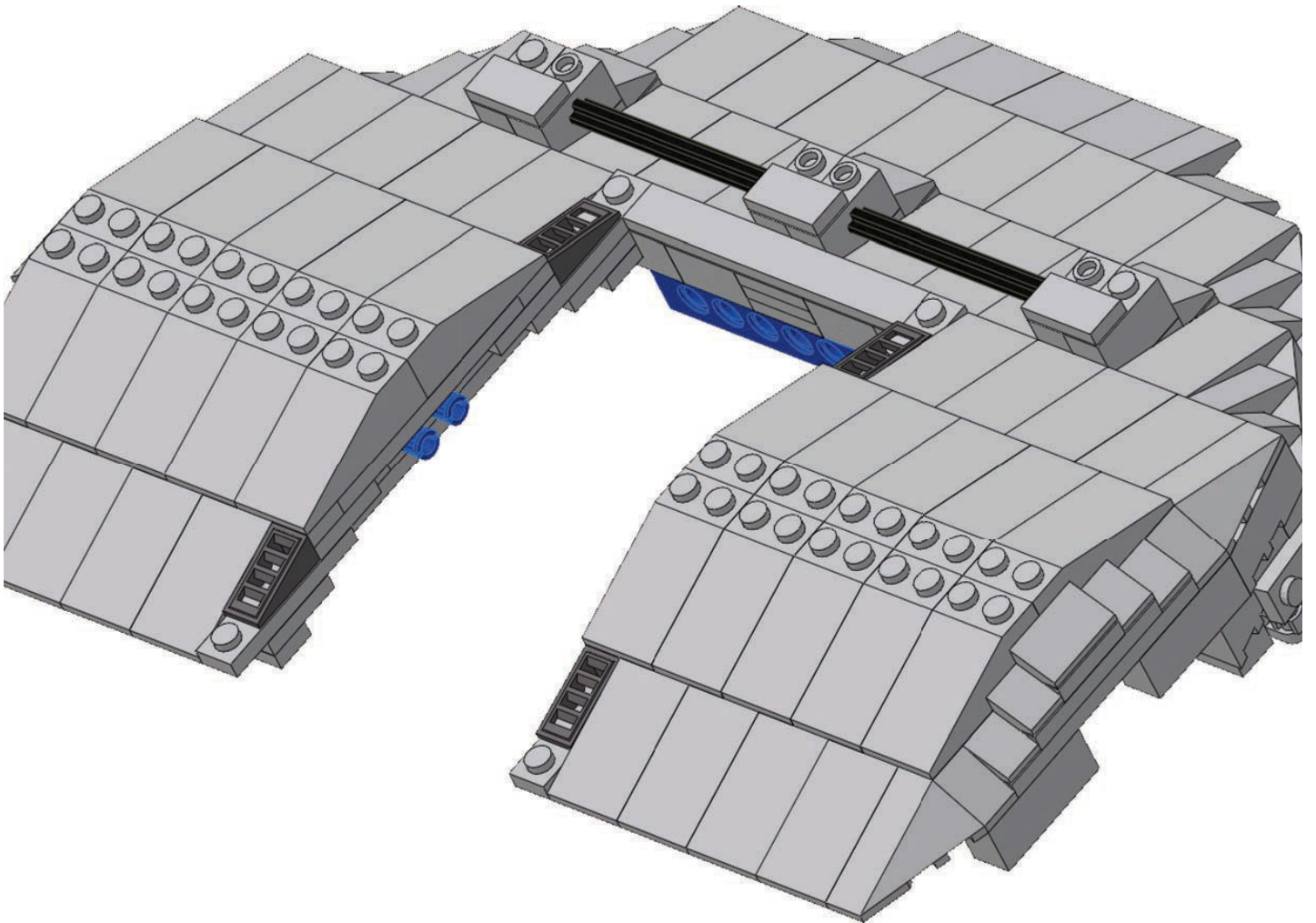
16



17

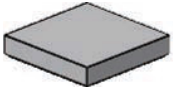


10 ×



18

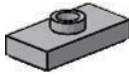
4 x



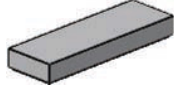
4 x



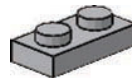
10 x



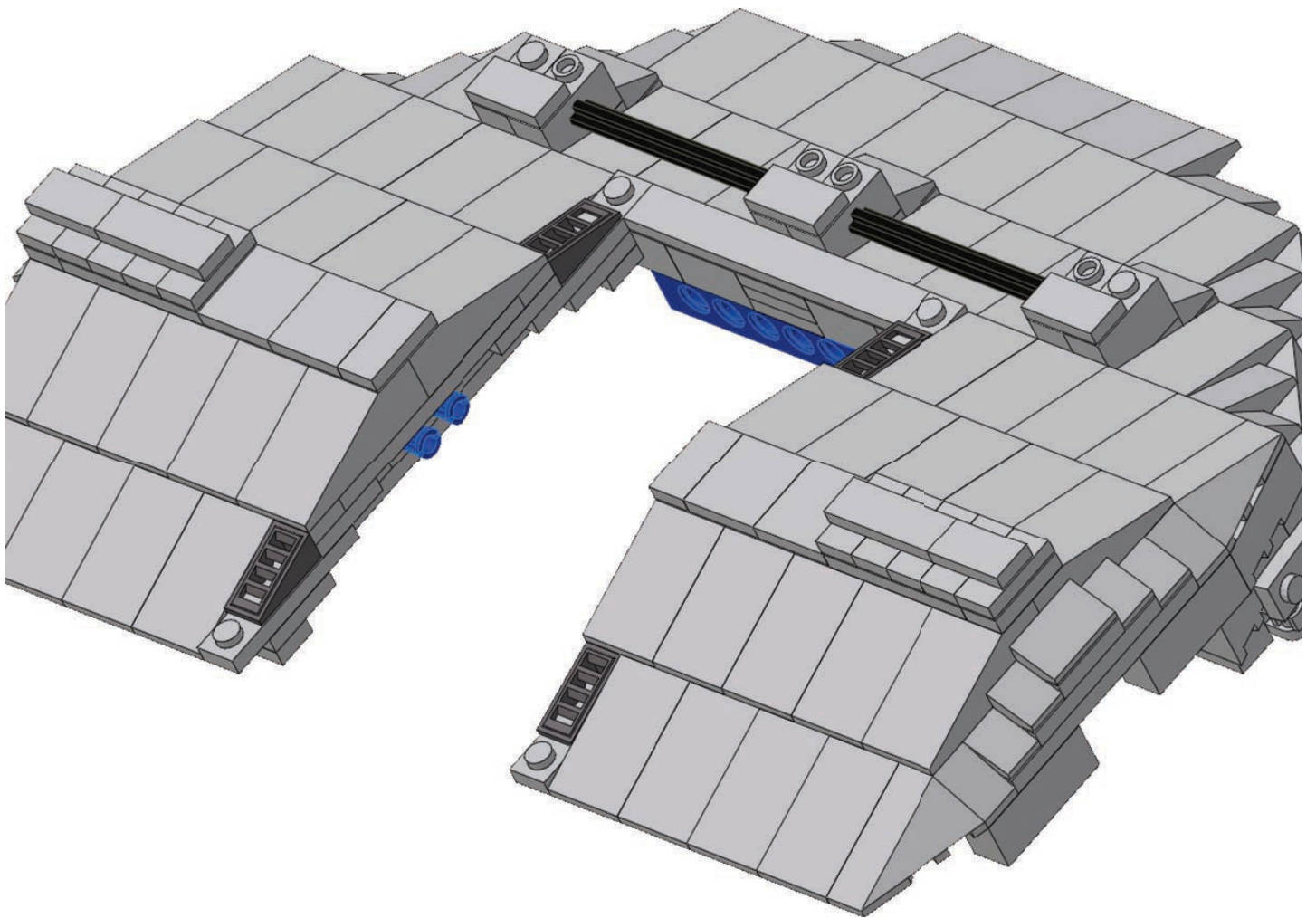
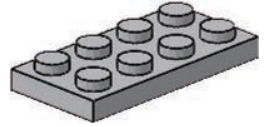
2 x



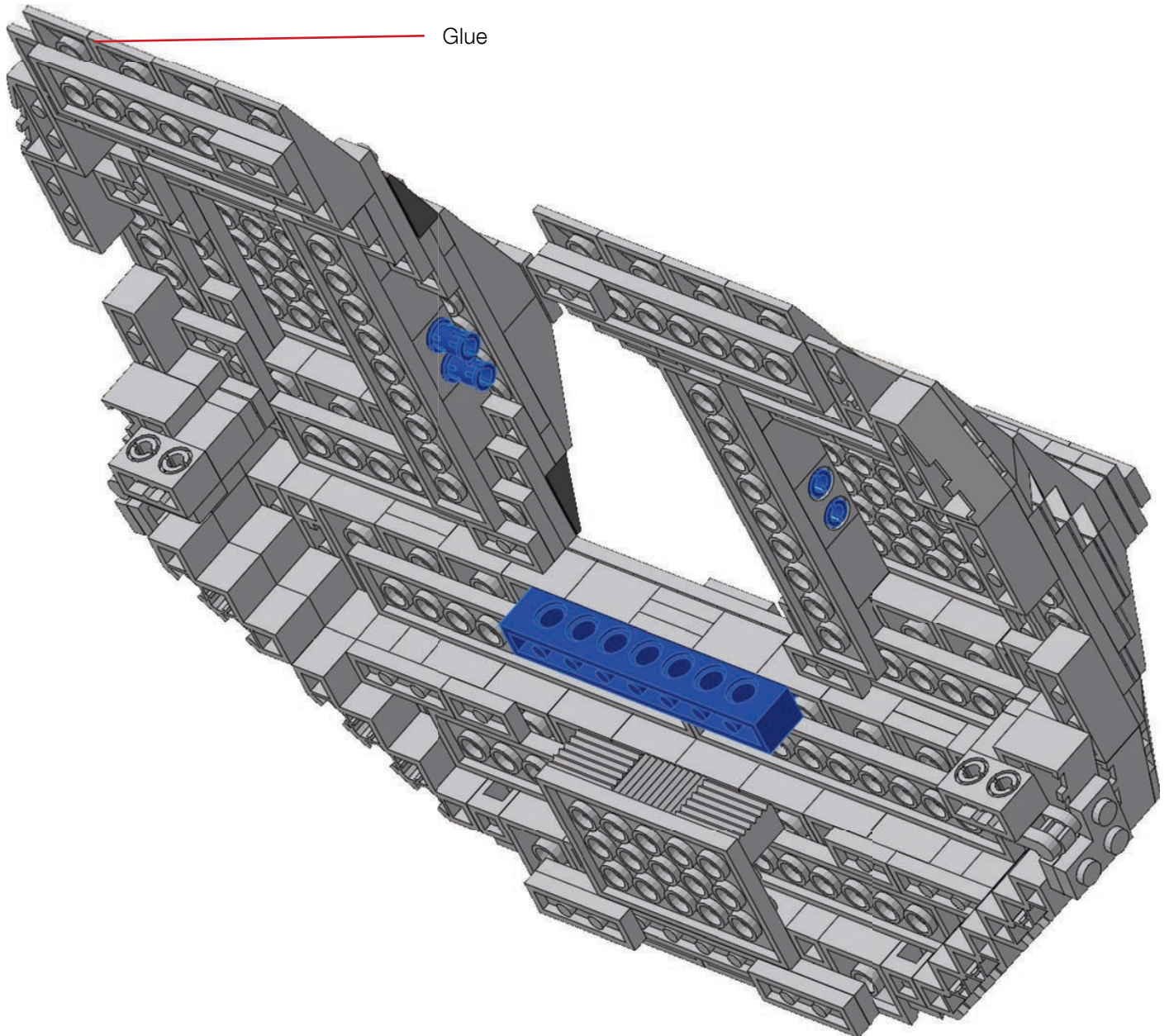
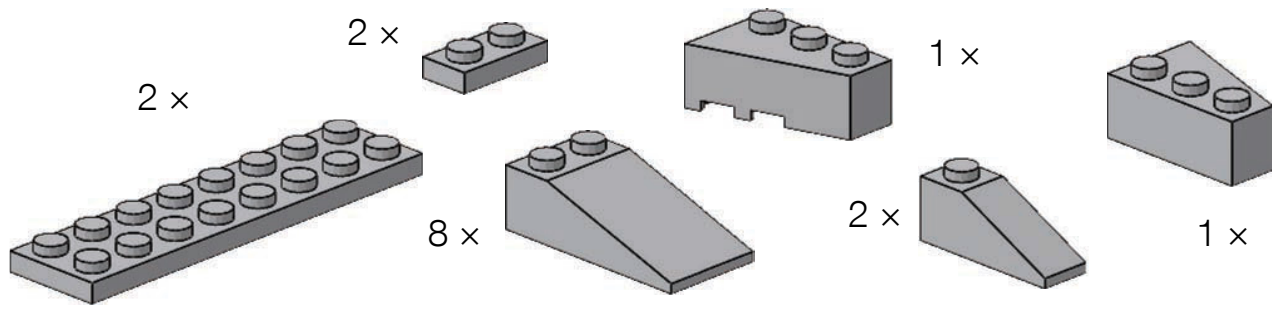
2 x



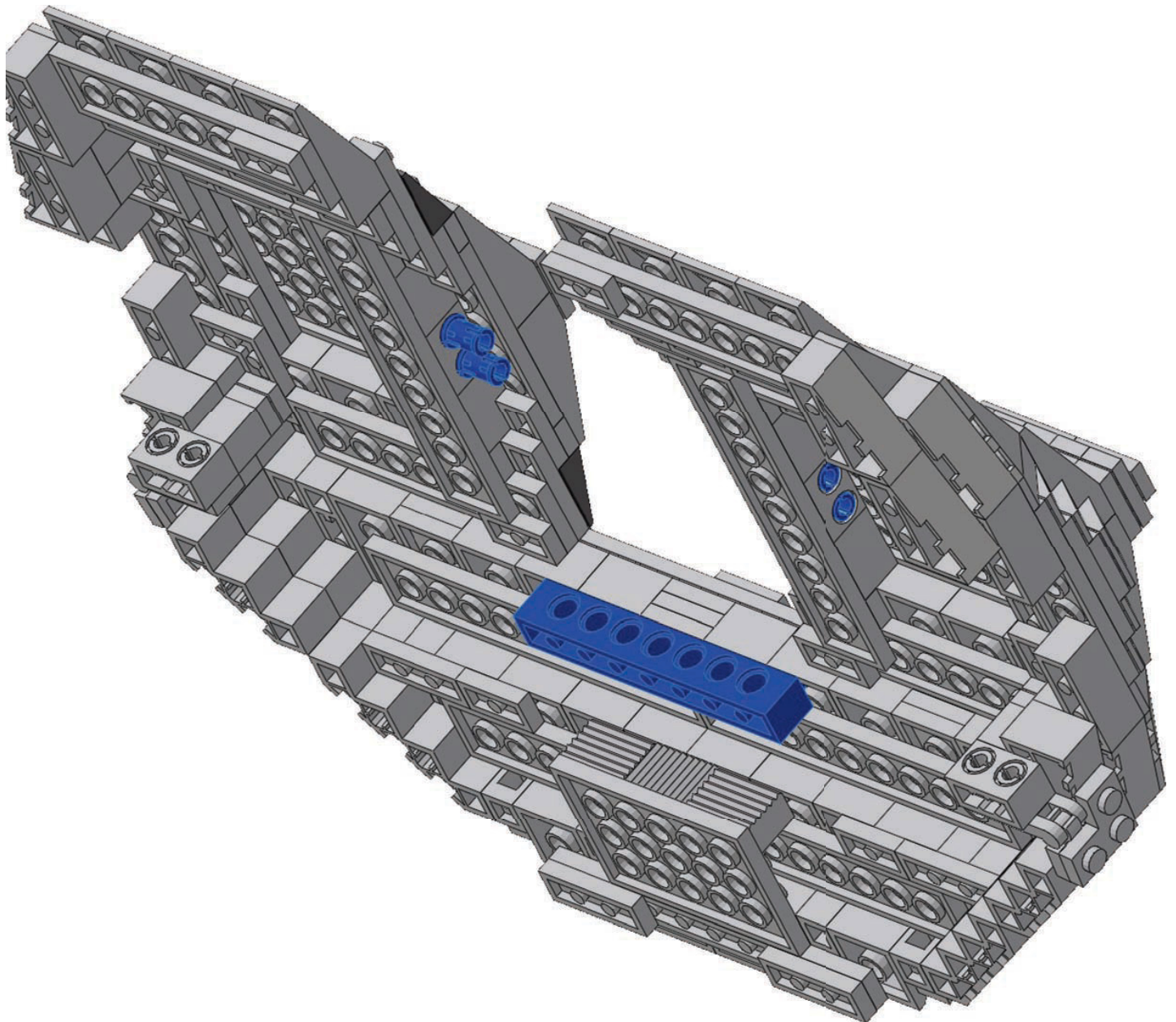
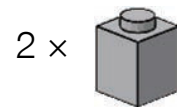
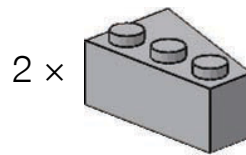
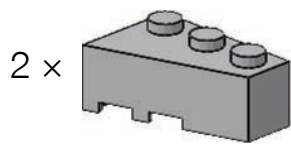
2 x



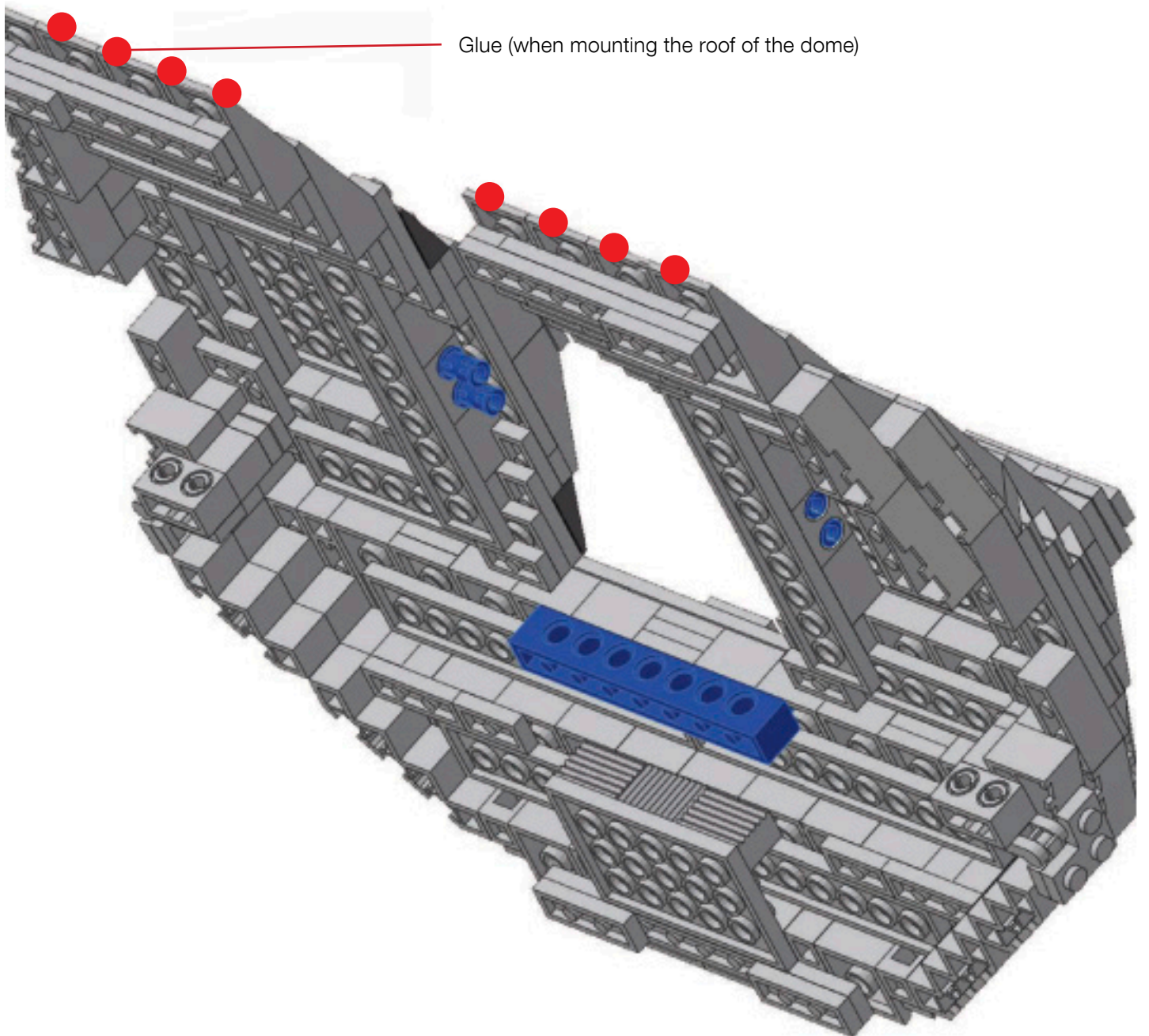
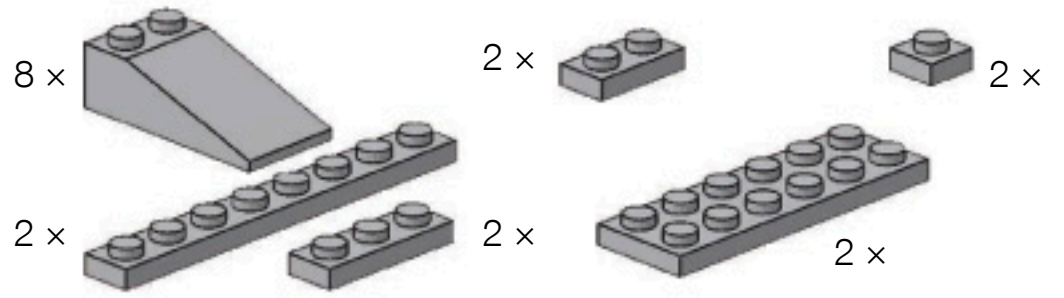
19



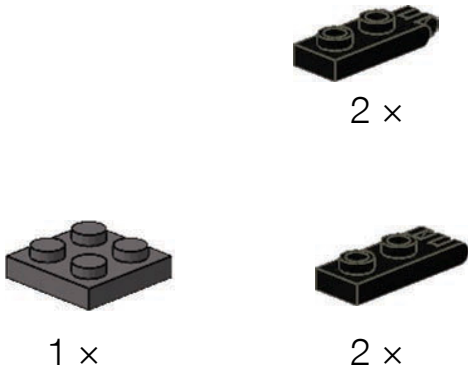
20



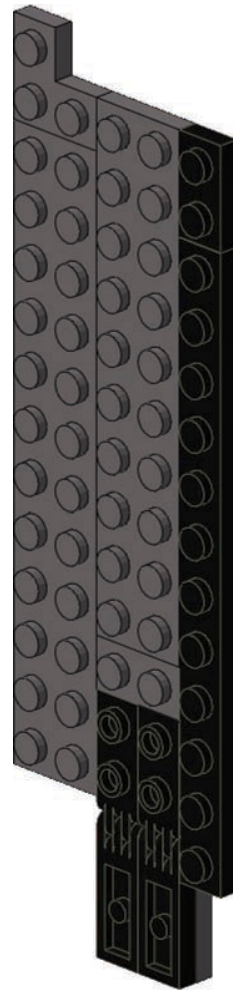
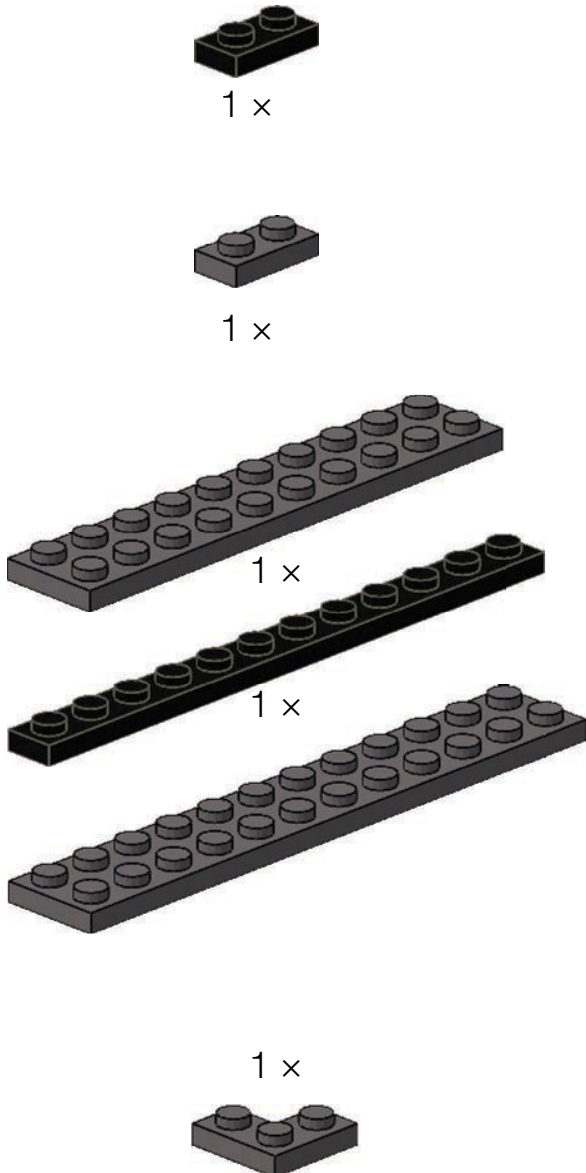
21



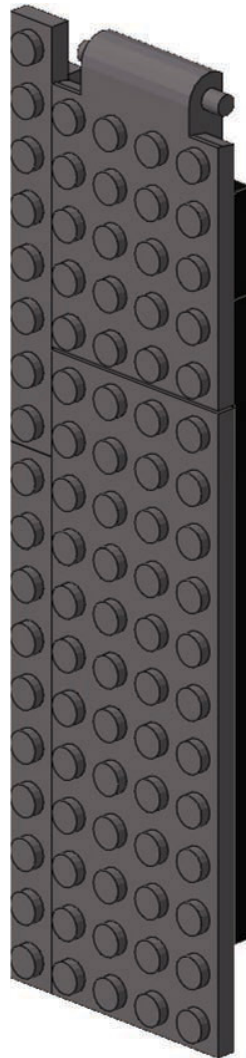
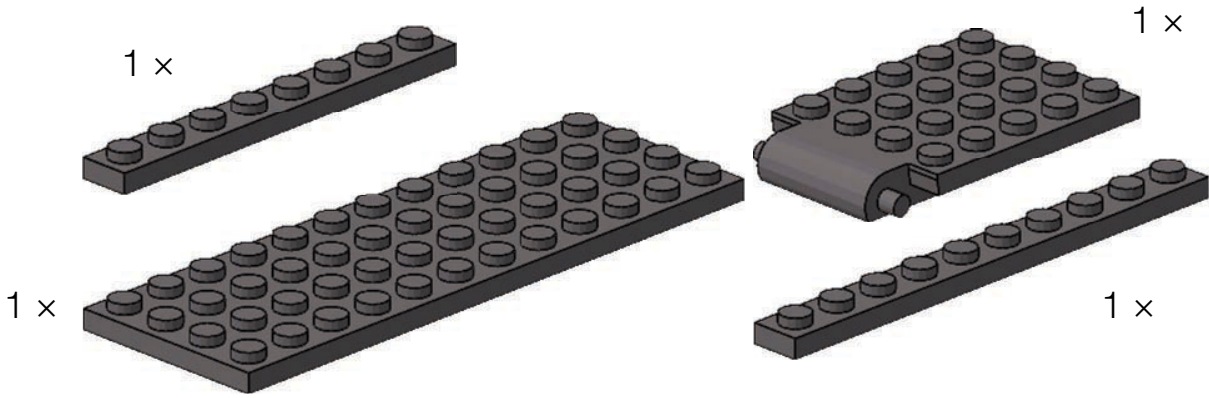
1



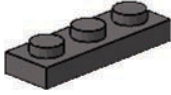
2



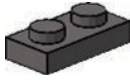
3



1



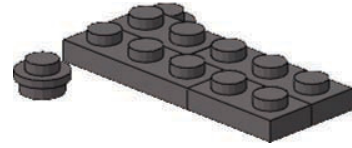
2 x



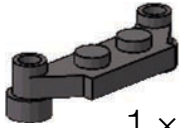
2 x



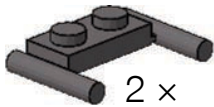
2 x



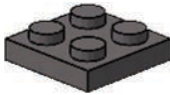
2



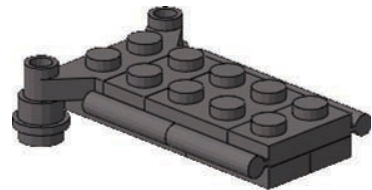
1 x



2 x

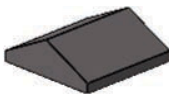


1 x

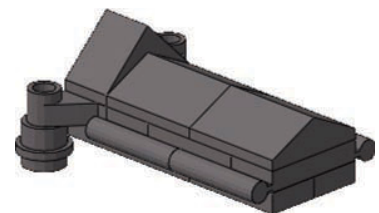


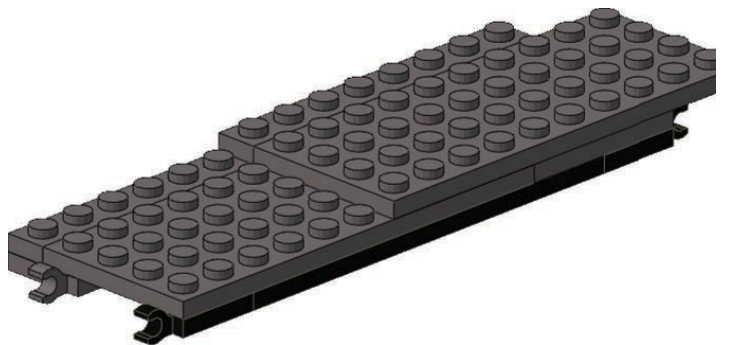
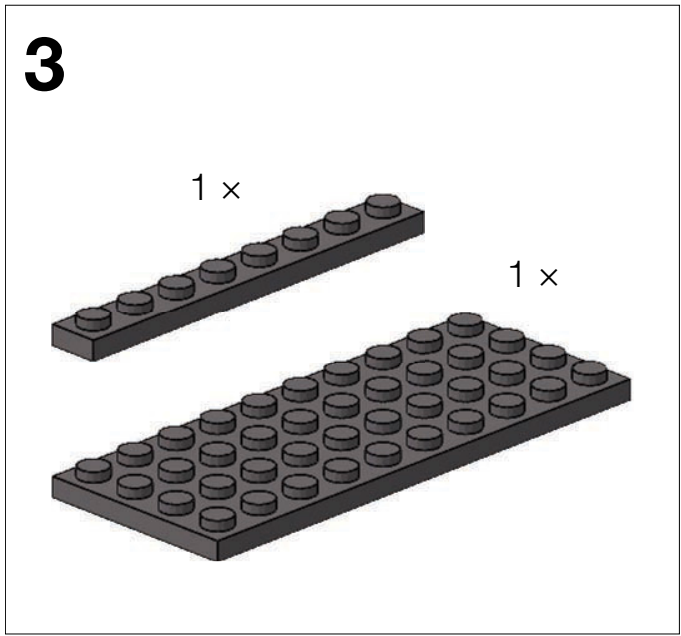
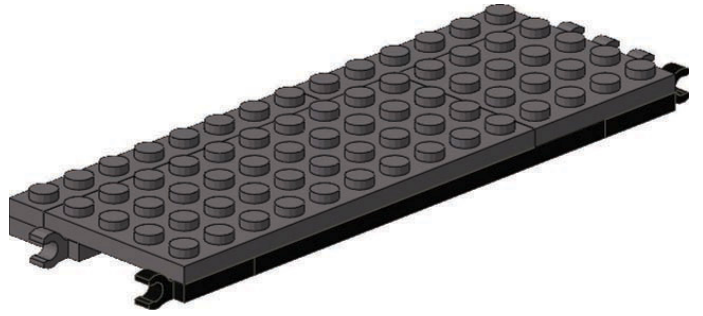
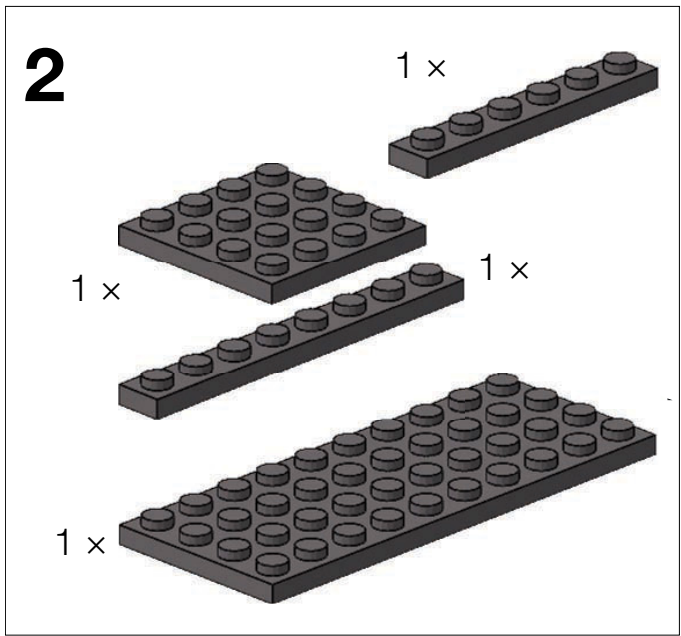
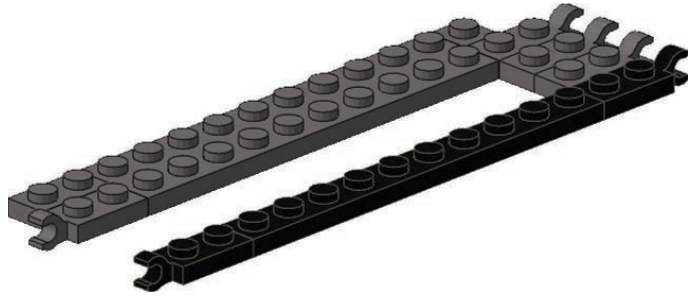
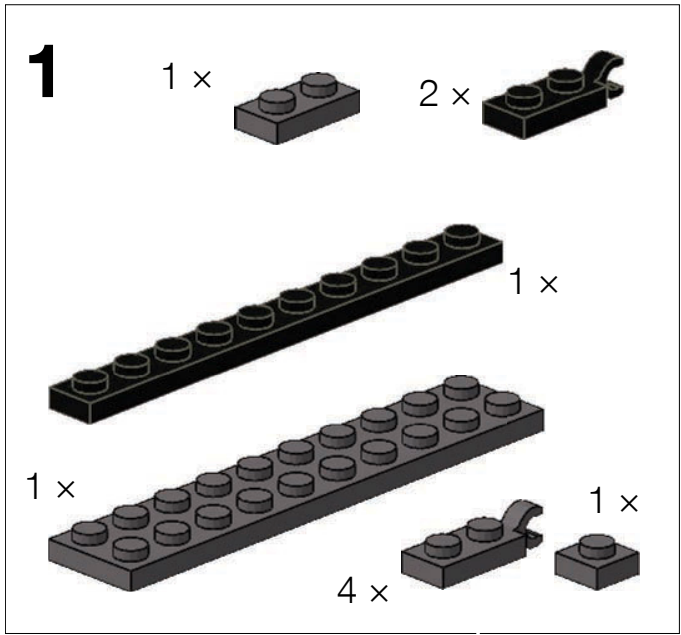
3

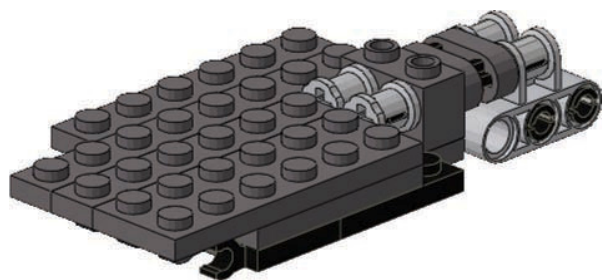
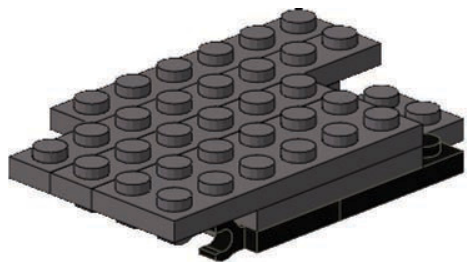
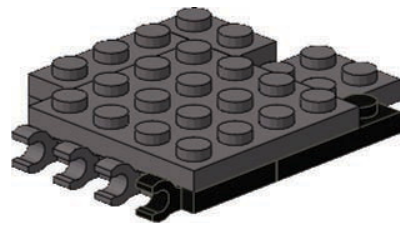
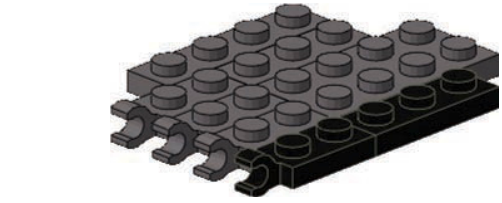
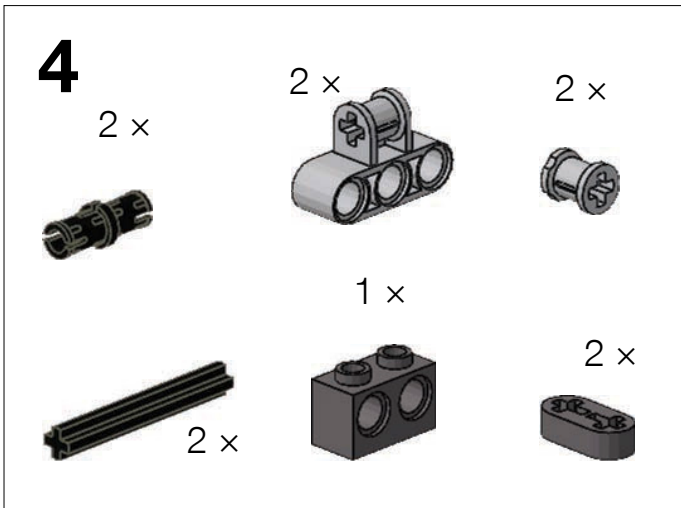
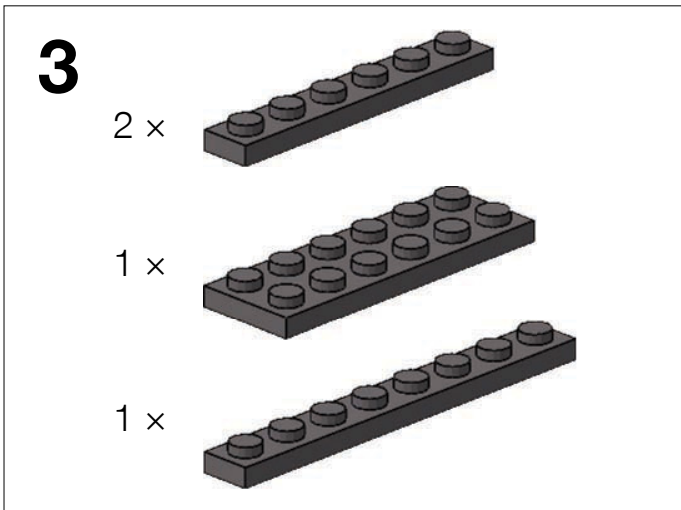
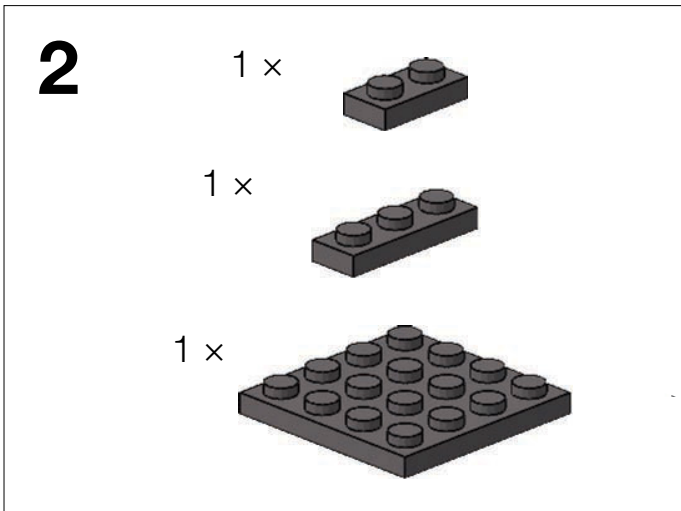
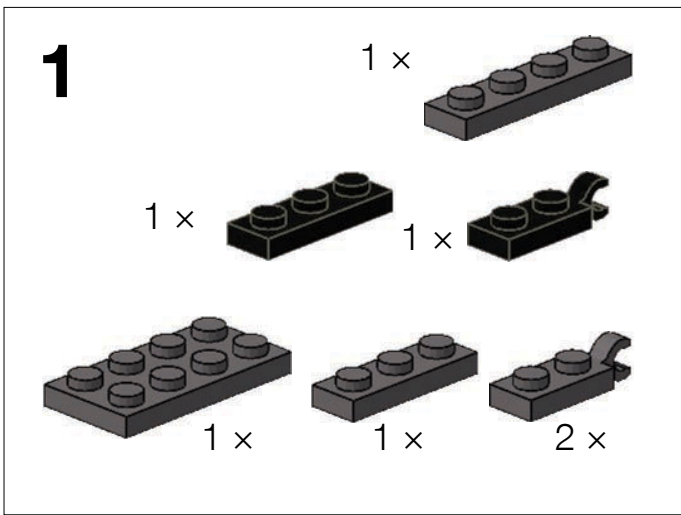
2 x



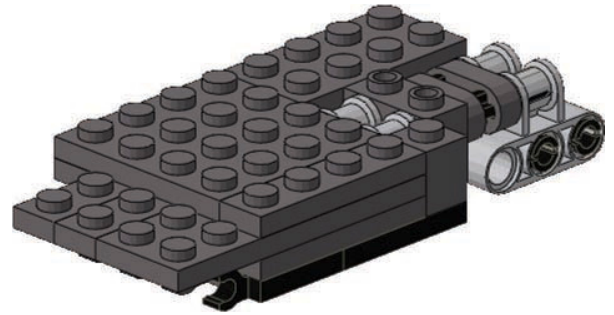
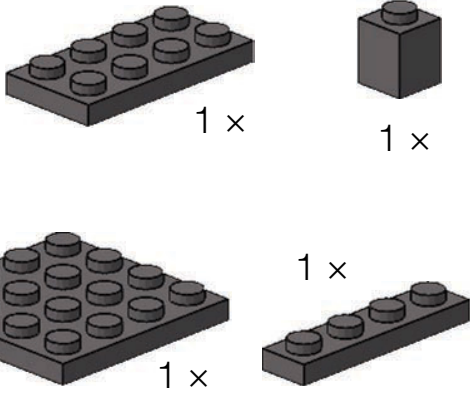
1 x



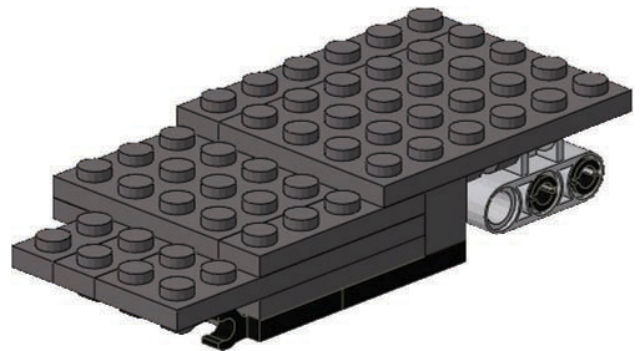
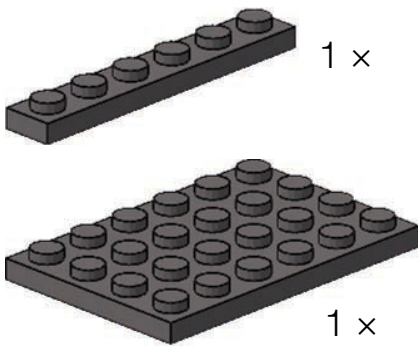


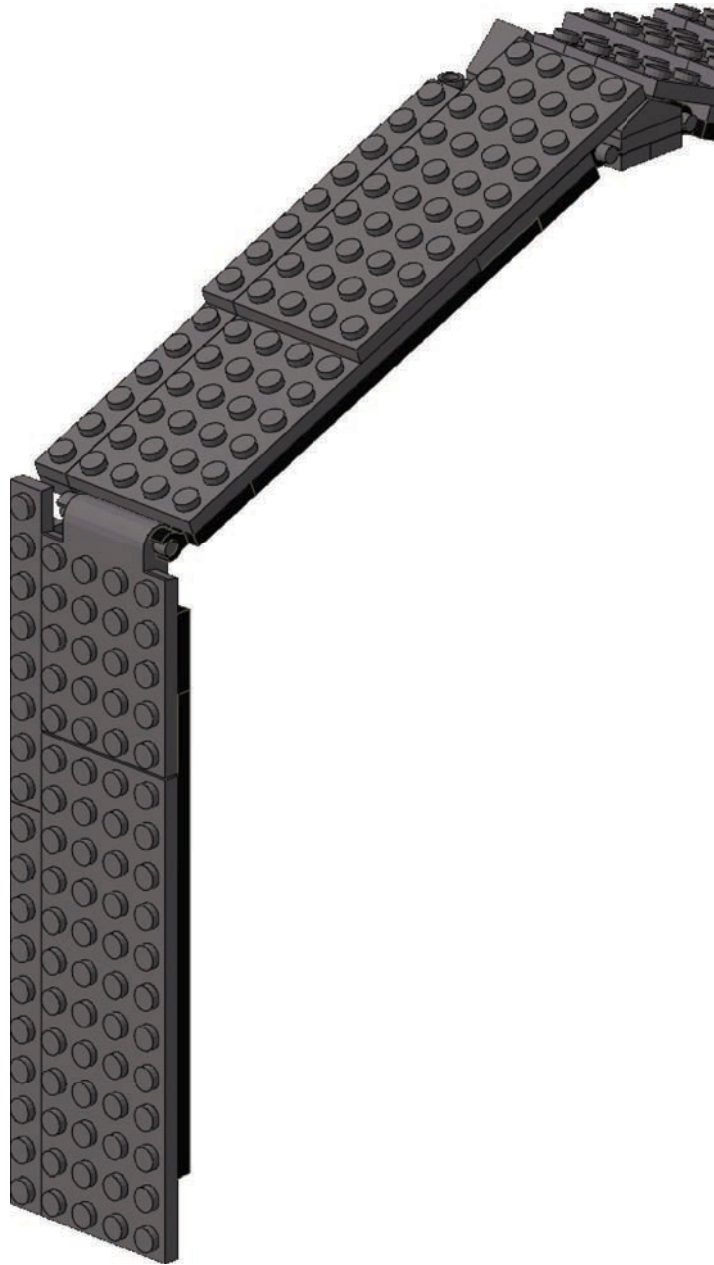


5



6

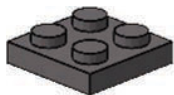




1



2 x



1 x



2 x



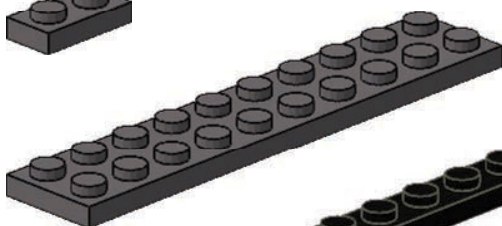
2



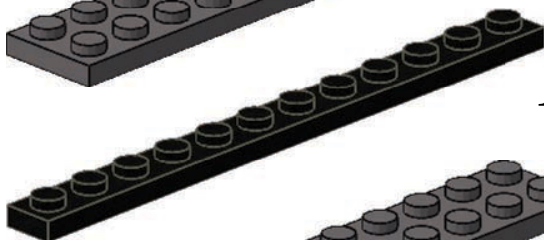
1 x



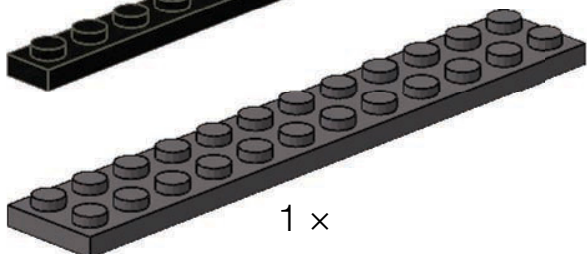
1 x



1 x



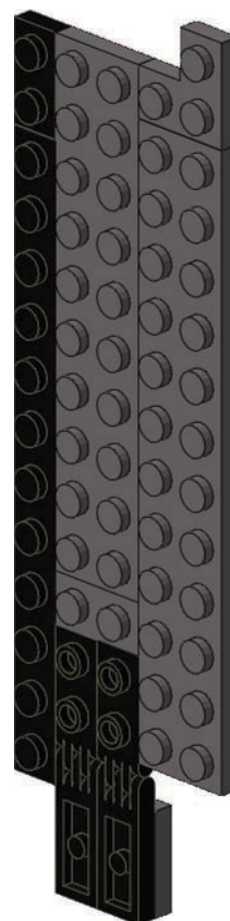
1 x



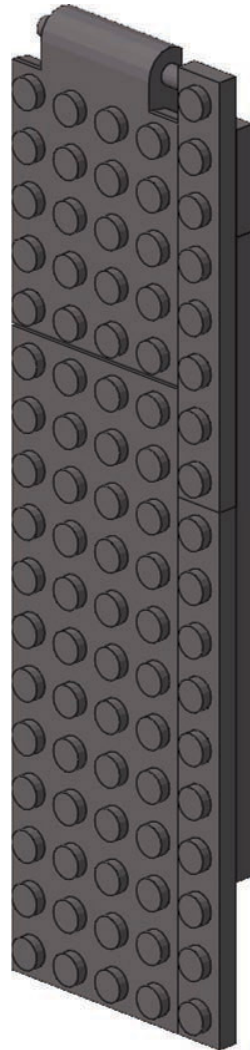
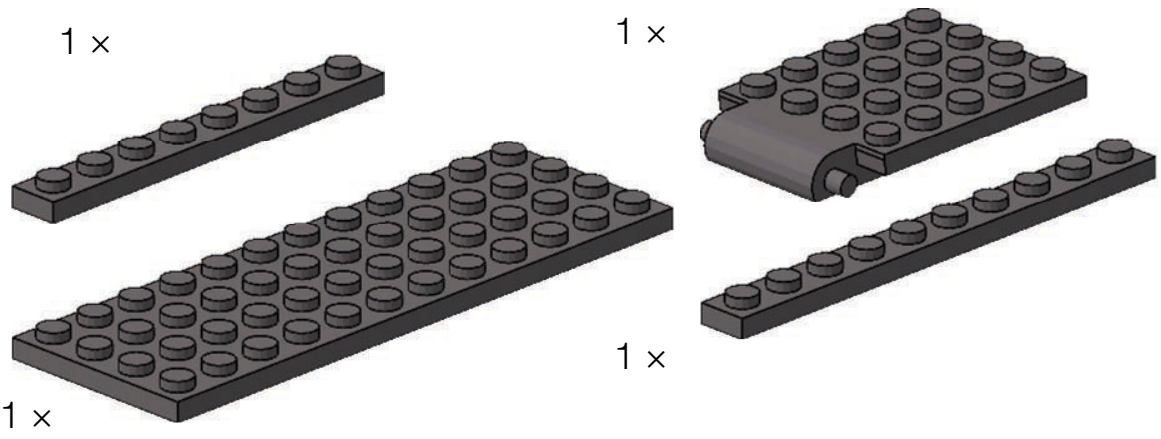
1 x



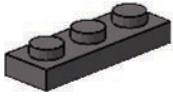
1 x



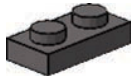
3



1



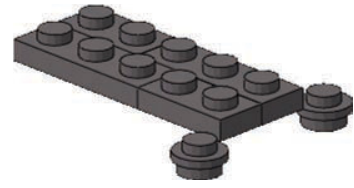
2 x



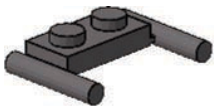
2 x



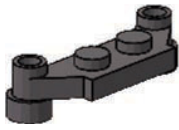
2 x



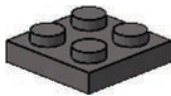
2



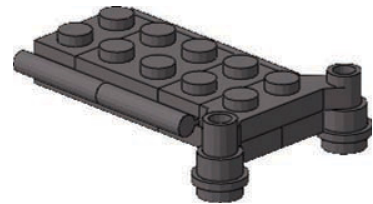
2 x



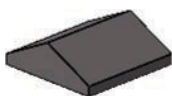
1 x



1 x



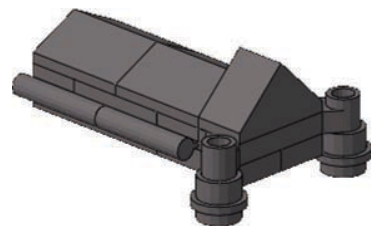
3



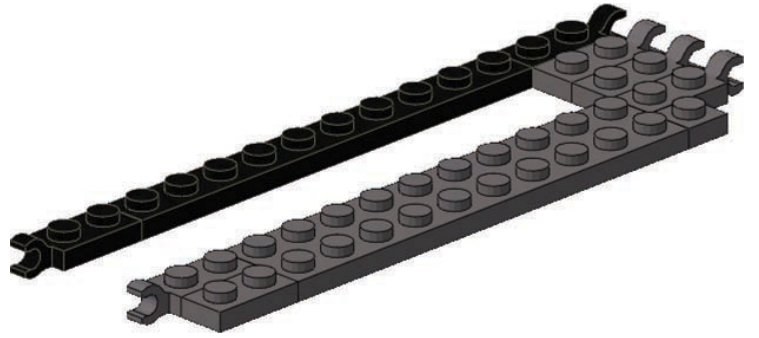
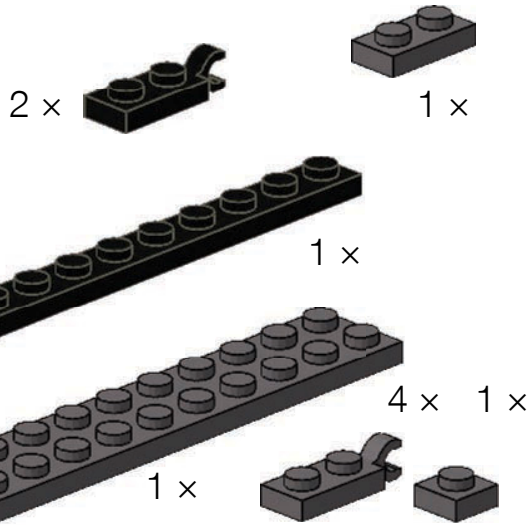
2 x



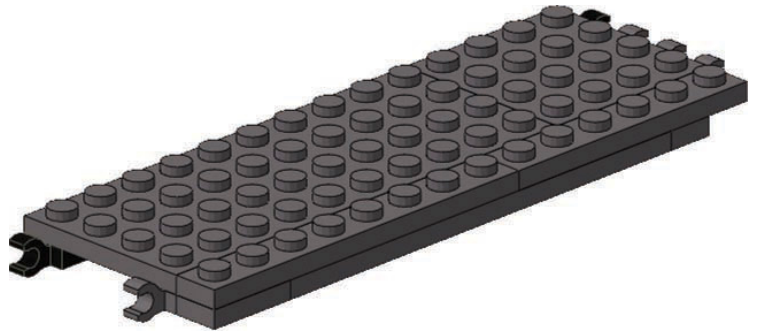
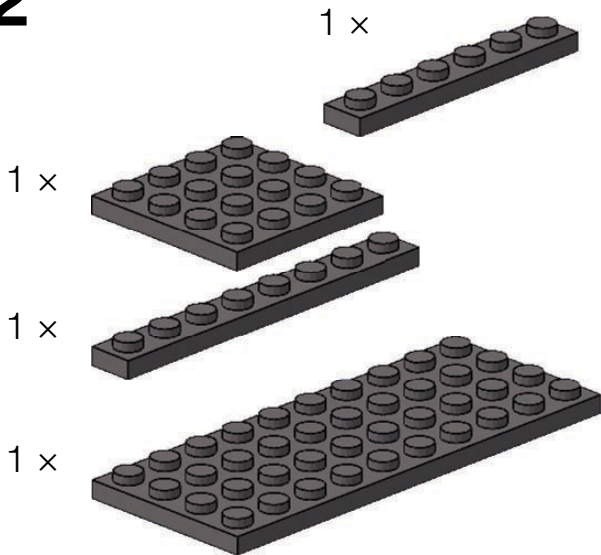
1 x



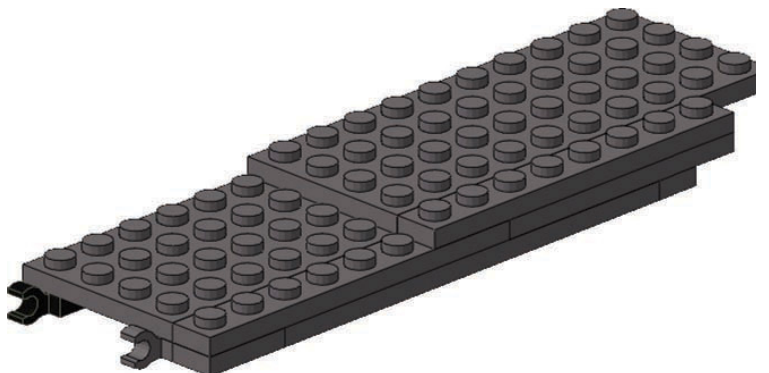
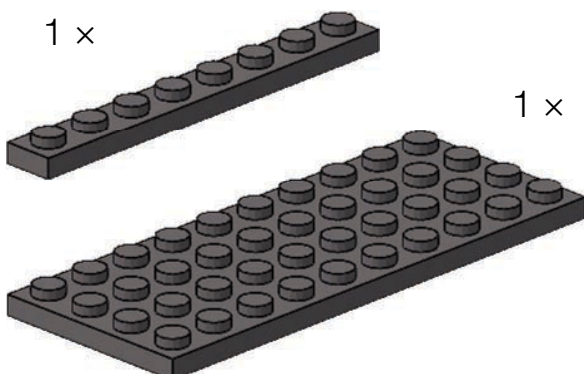
1



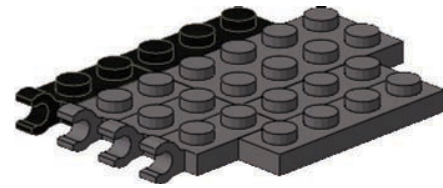
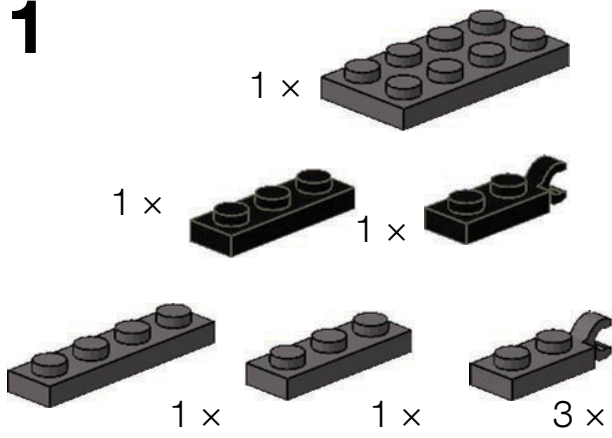
2



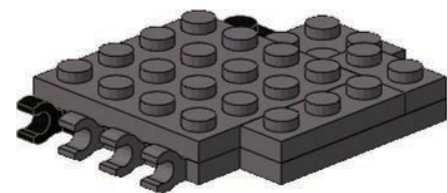
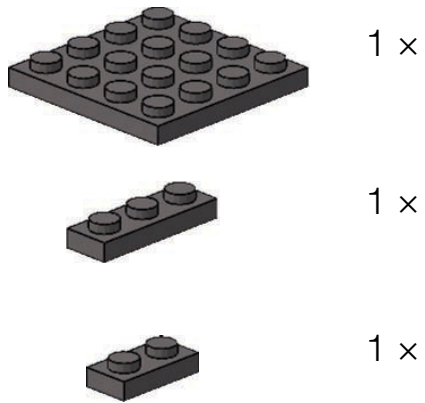
3



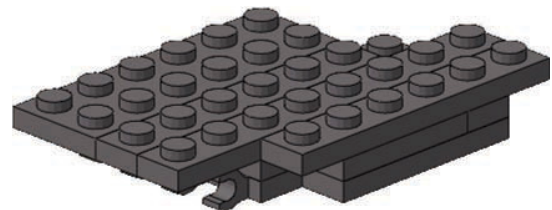
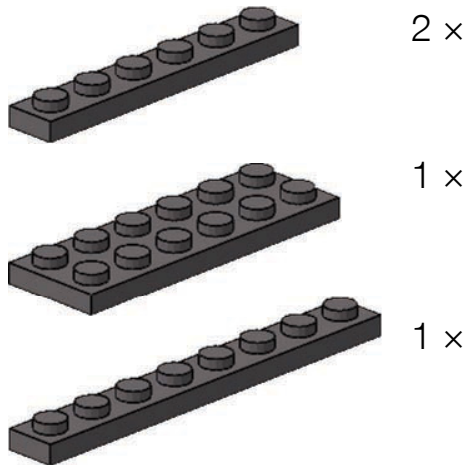
1



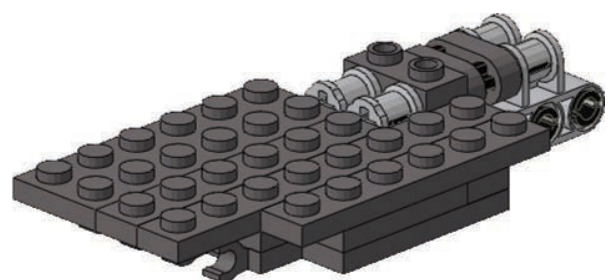
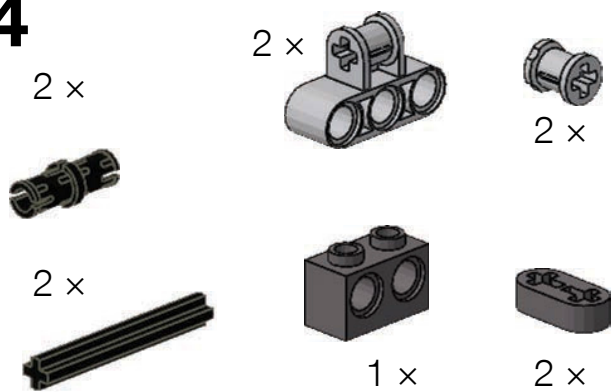
2



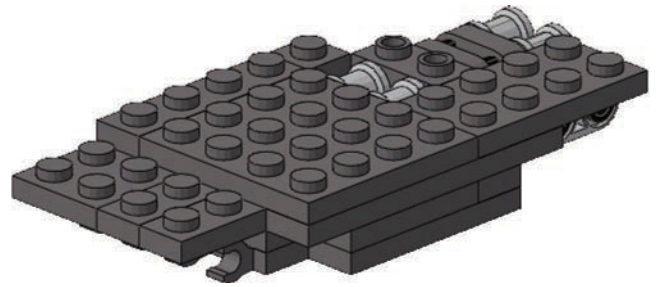
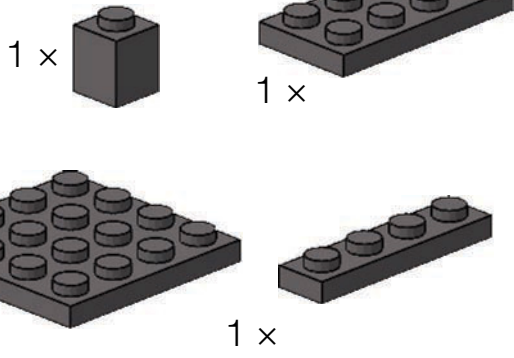
3



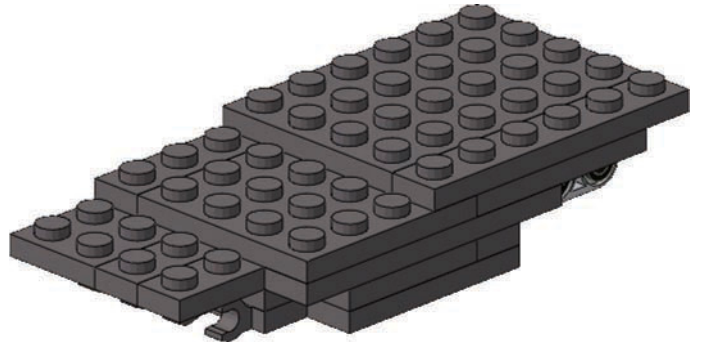
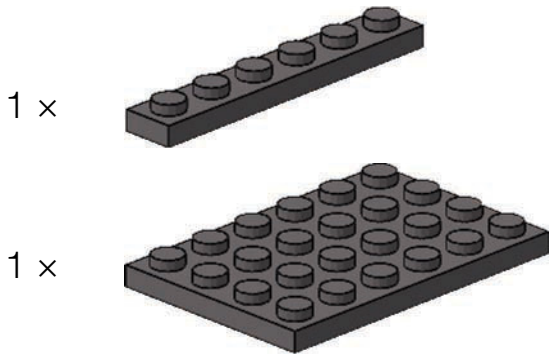
4



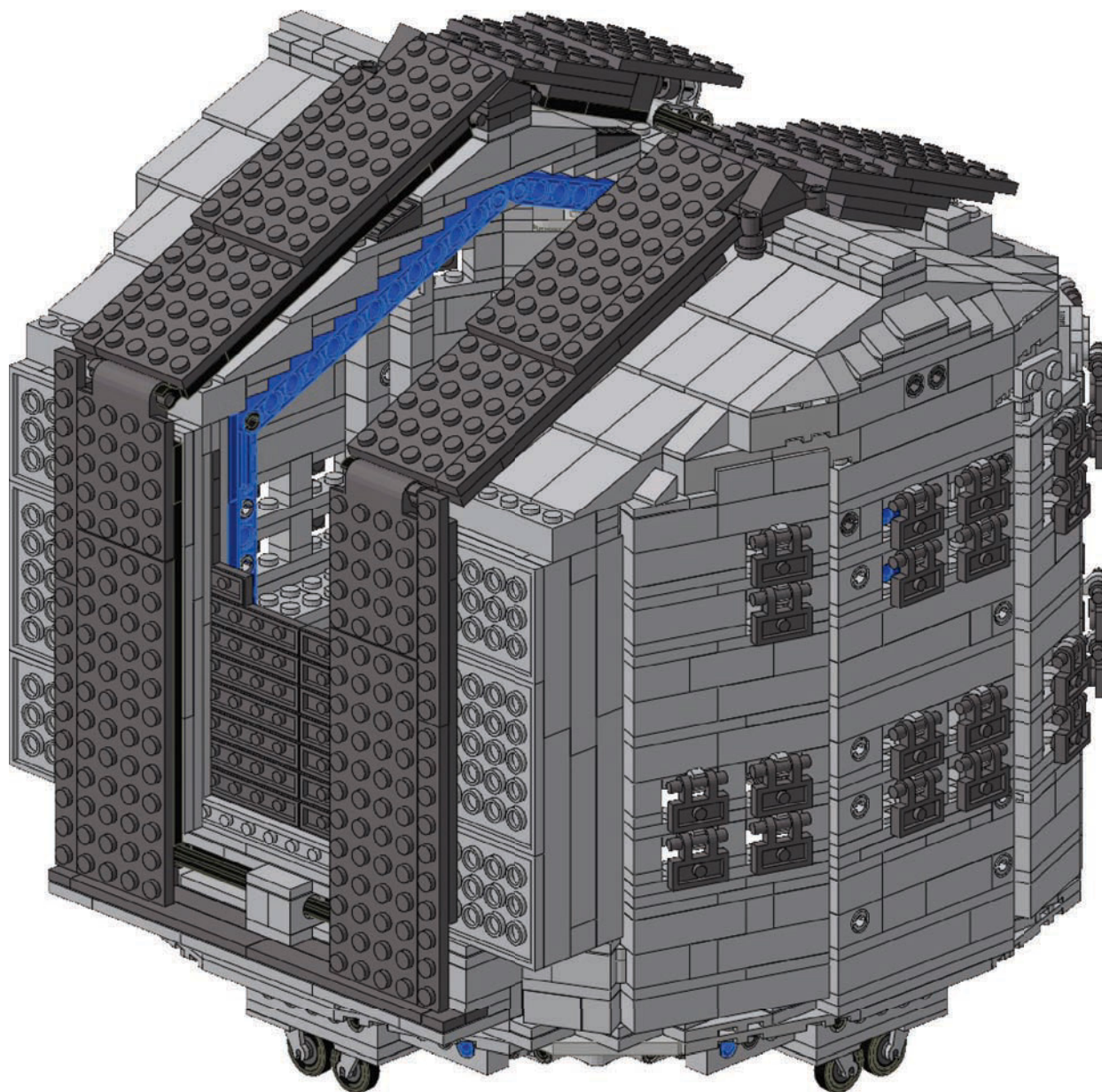
5



6

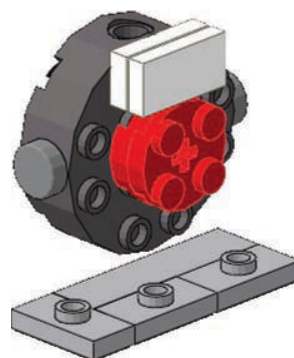
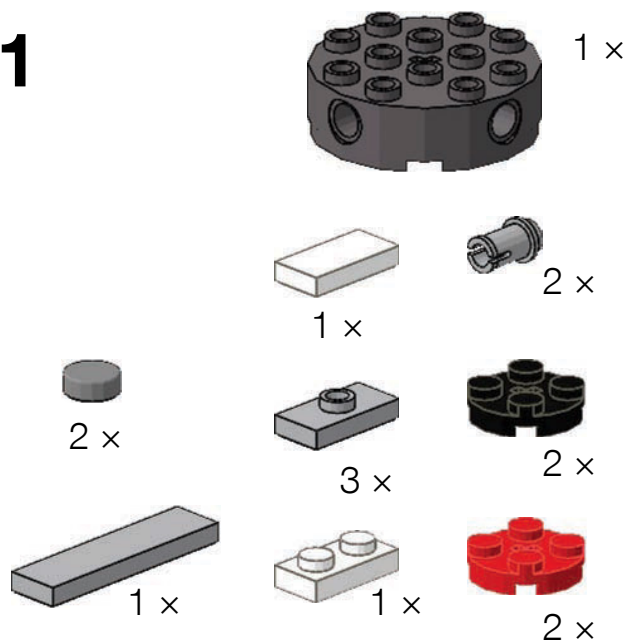




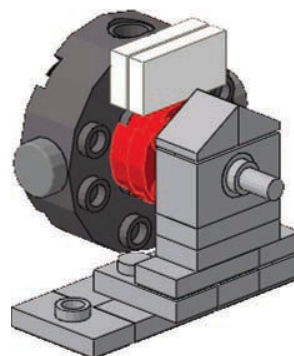
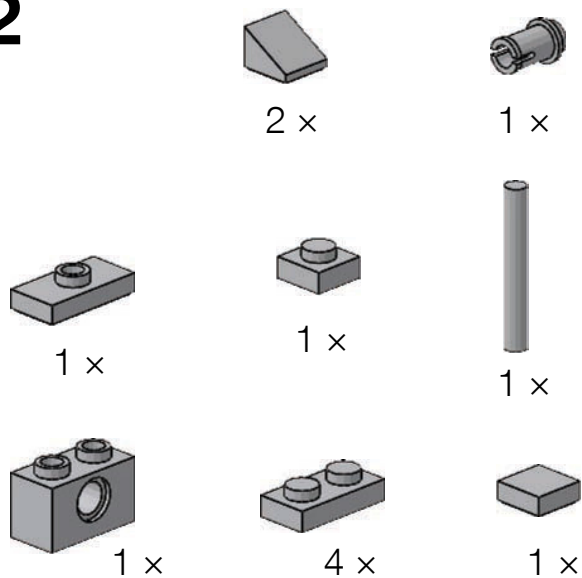


The dome cannot be mounted directly on top of the telescope assembly. You should first insert the telescope plus instrument platforms through the hole in the bottom, or through the “secret” door on the side (see pages 126, 129, 161, 162). You may need to dismount the Cassegrain instrument first.

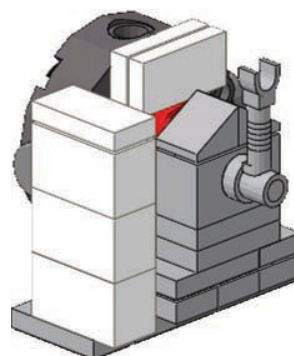
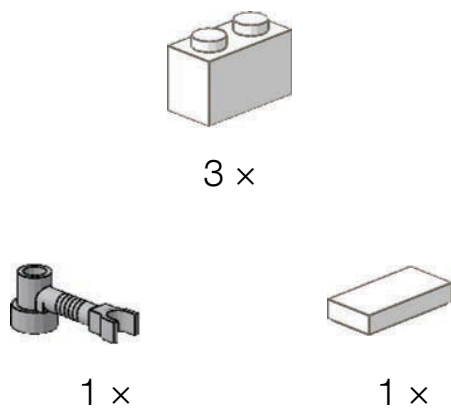
1



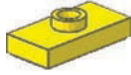
2



3



1



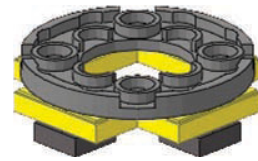
4 x



1 x



4 x

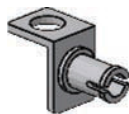


2

1 x



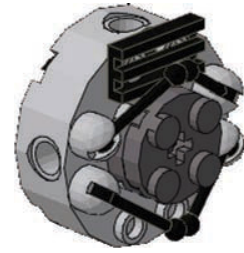
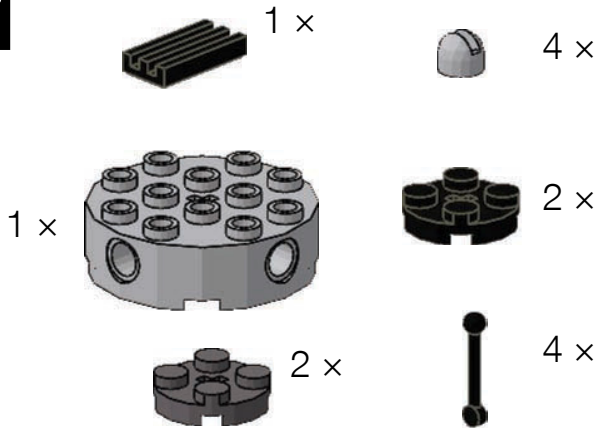
2 x



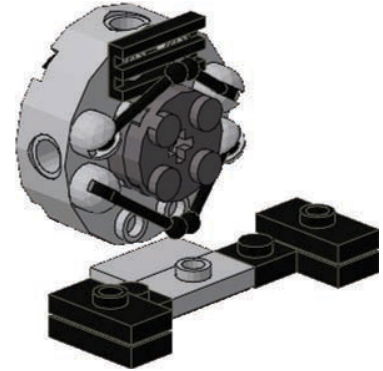
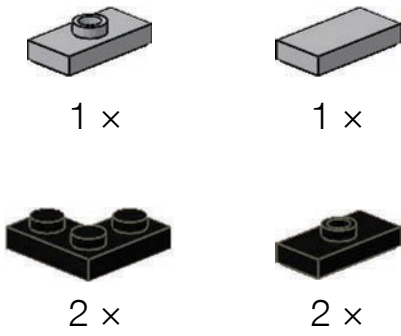
1 x



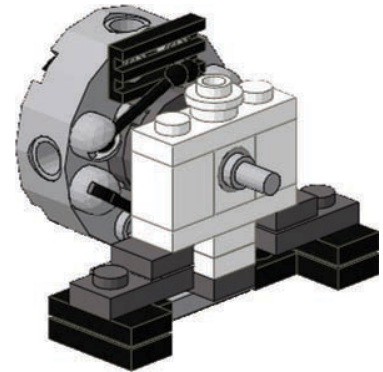
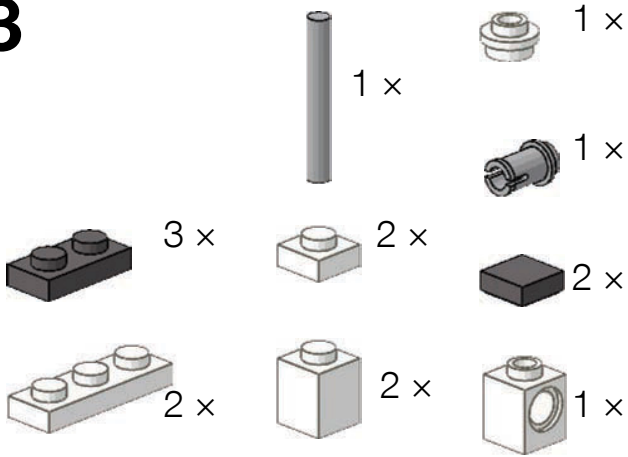
1



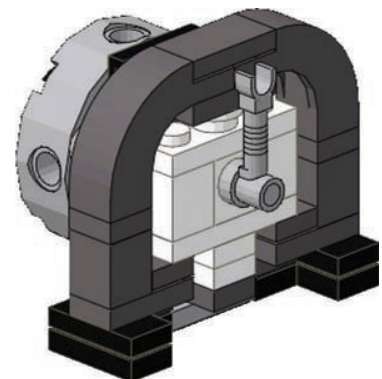
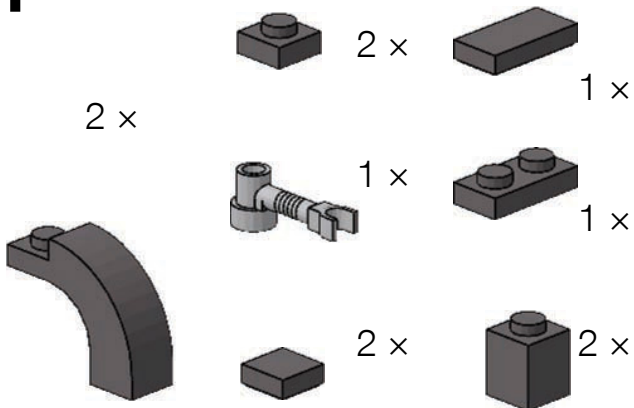
2



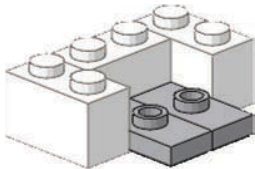
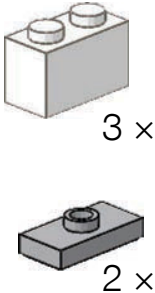
3



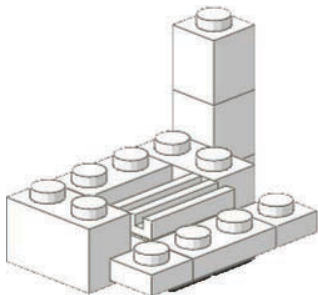
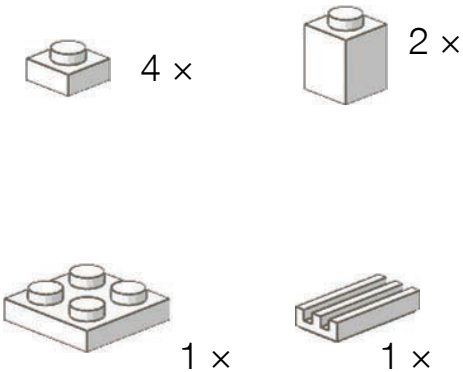
4



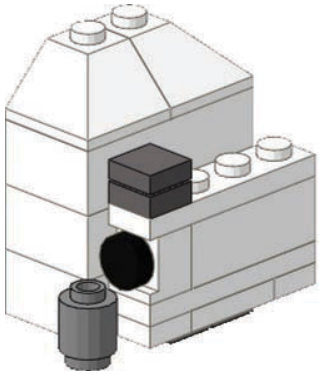
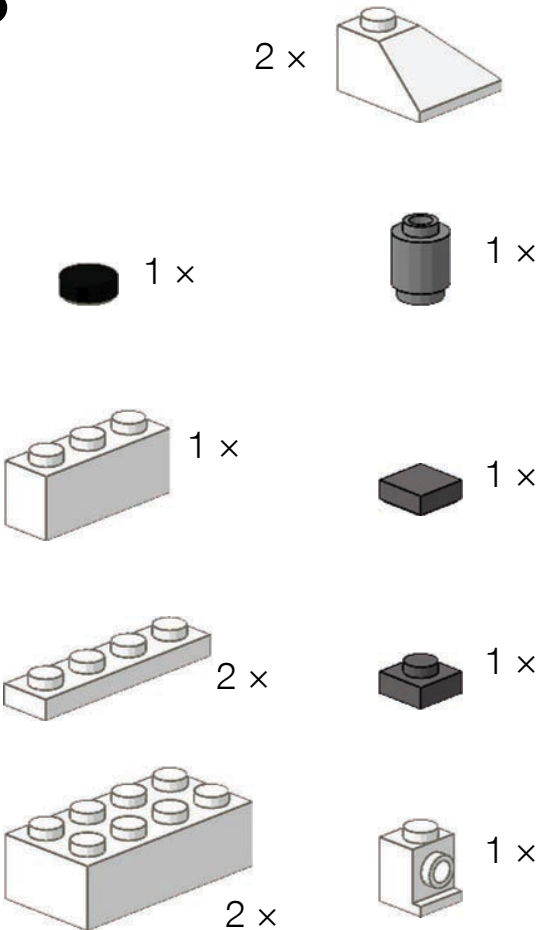
1



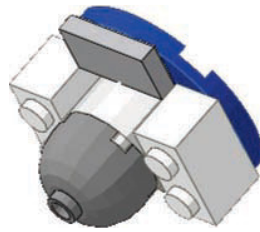
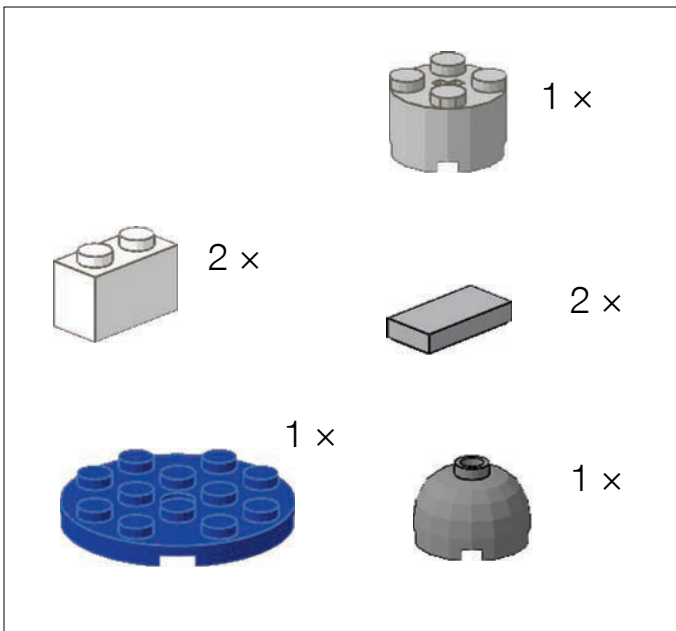
2



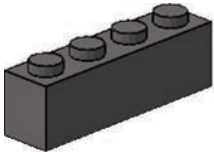
3



X-Shooter



1



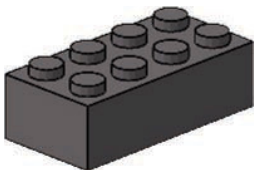
1 x



4 x



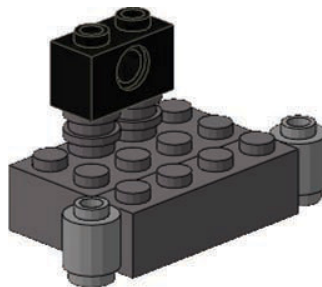
2 x



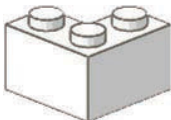
1 x



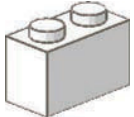
1 x



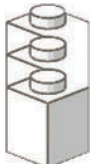
2



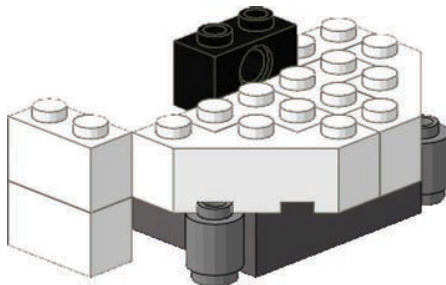
2 x



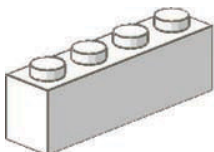
3 x



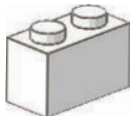
2 x



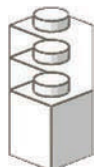
3



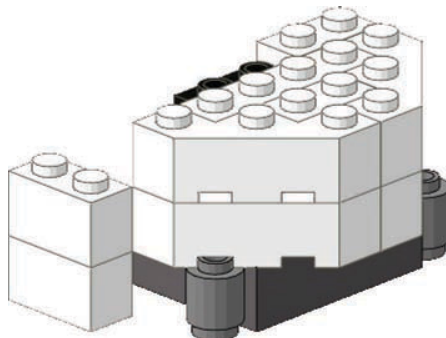
1 x



2 x



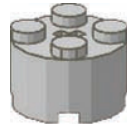
2 x



1



4 x



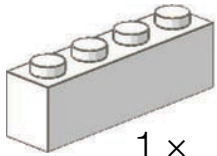
1 x



1 x



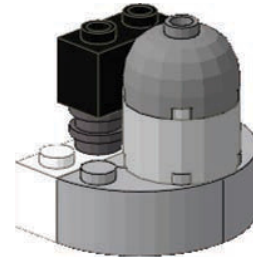
2 x



1 x



1 x



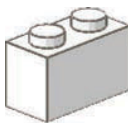
2



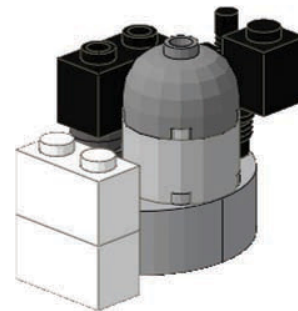
1 x



1 x

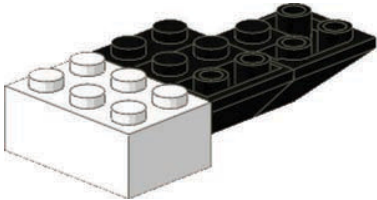
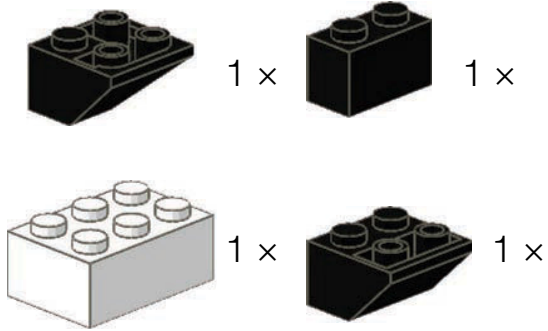


2 x

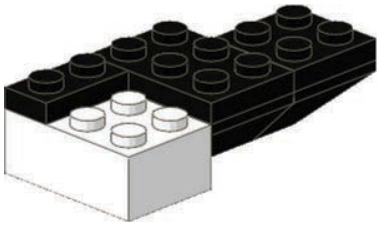
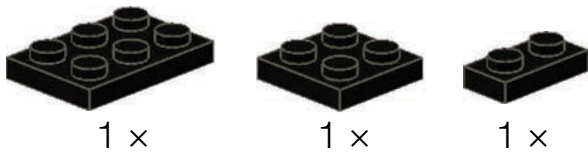


SPHERE

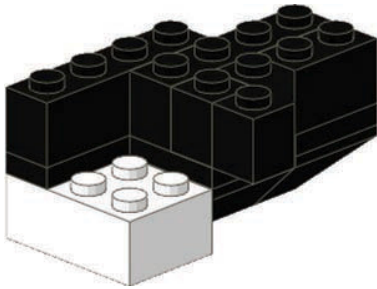
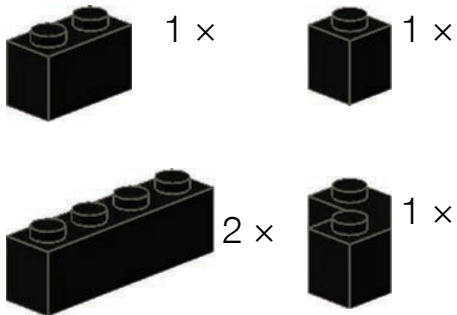
1



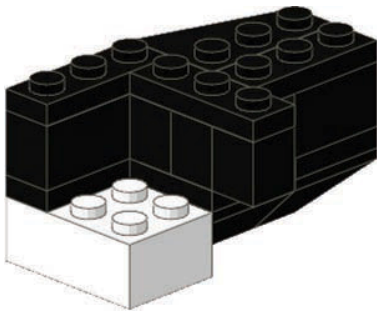
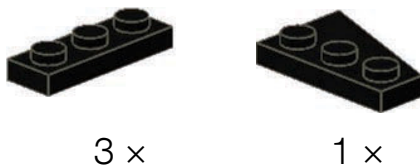
2



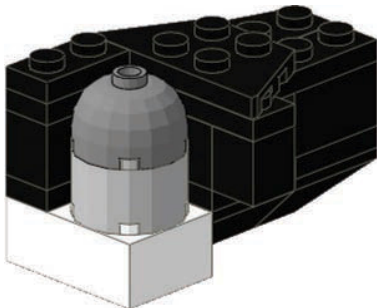
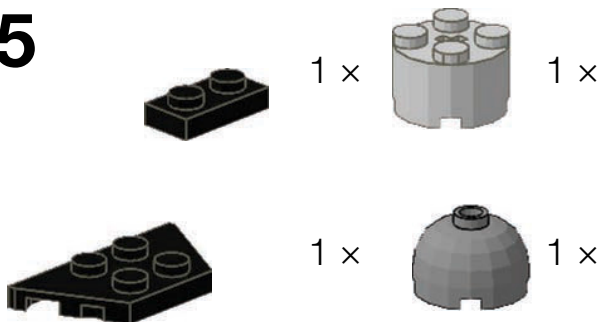
3

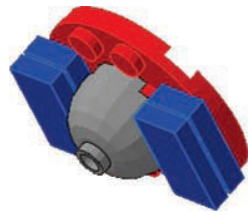
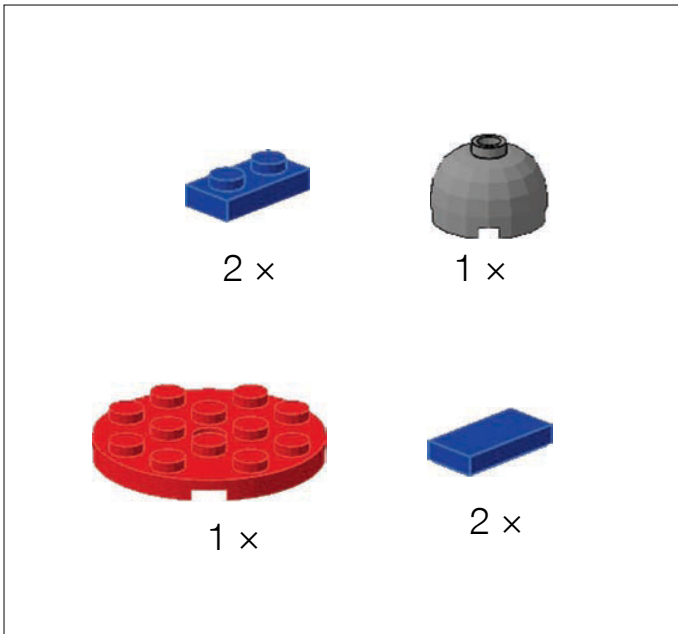


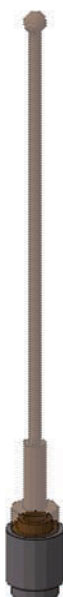
4

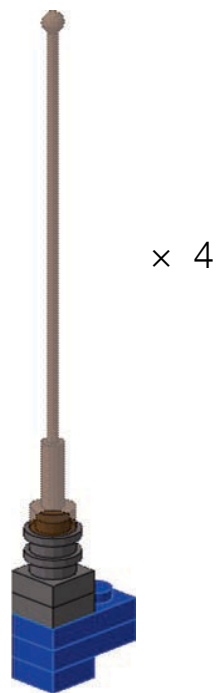
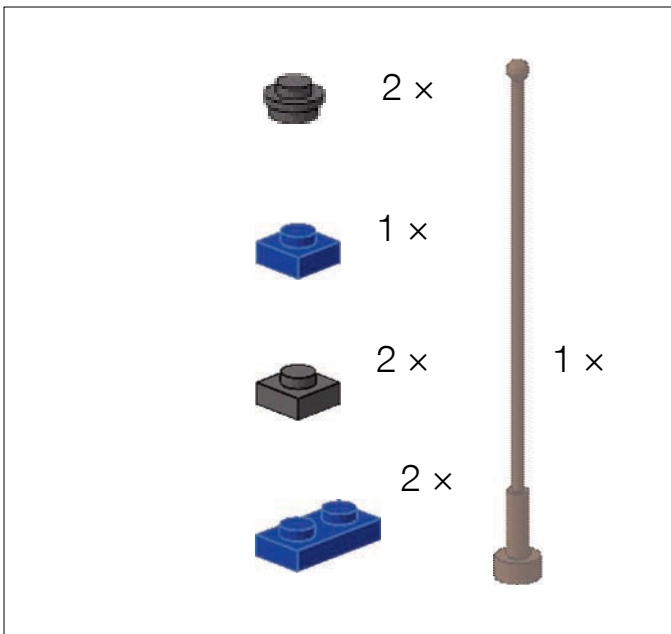


5

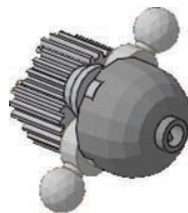
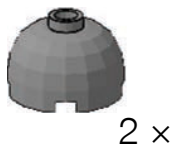
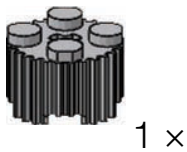




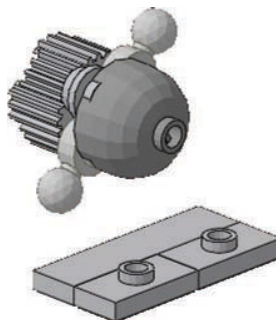
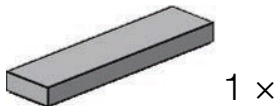




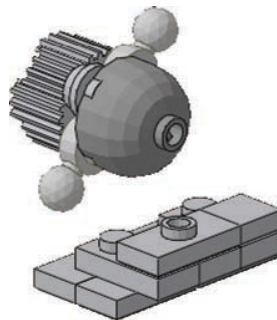
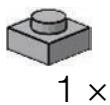
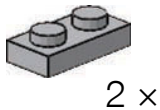
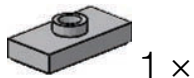
1



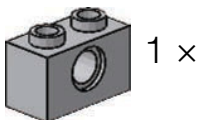
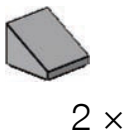
2



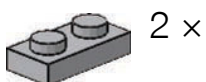
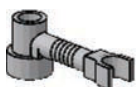
3



4



1 x



Cut a bit shorter

