

ALMA Band 2+3 LO and down-convert Mixer development at STFC

Hui Wang, Emma-May Butroid and Brian Ellison

RAL Space

STFC-Rutherford Appleton Laboratory, UK

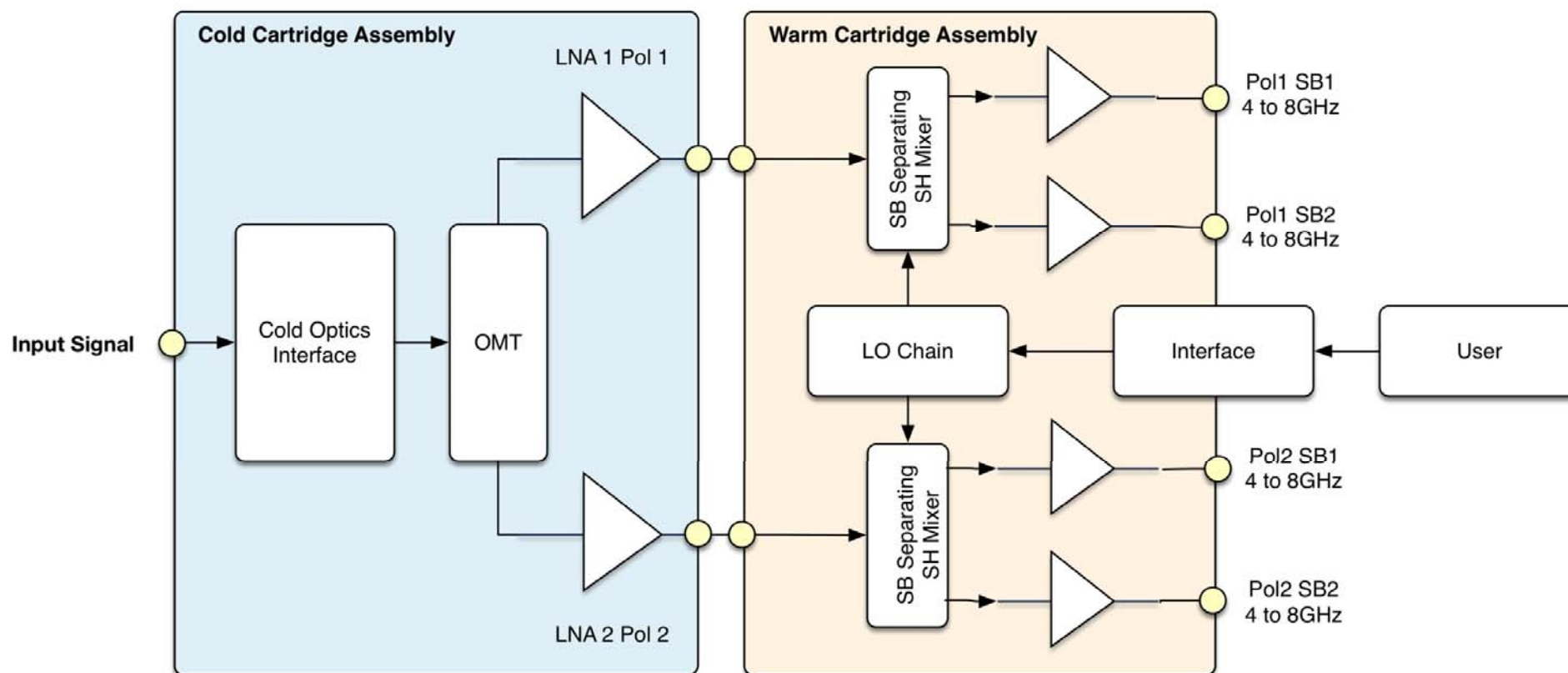
23rd -24th May 2016, Gothenburg, Sweden



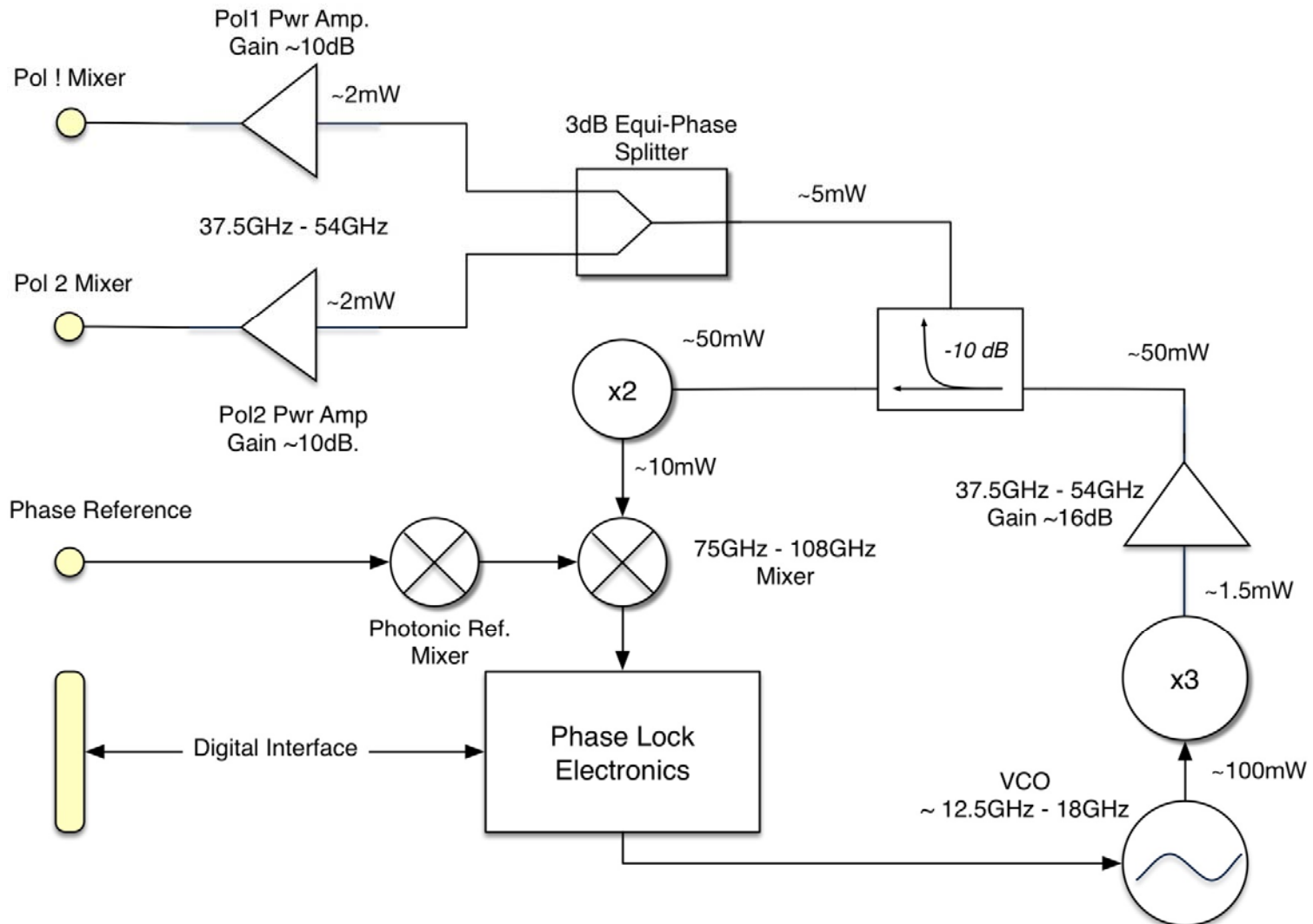
Objectives

- ▶ Design and construction of the necessary LO chain
- ▶ Development of suitable down conversion mixers
- ▶ Development of appropriate electronic interfaces and software control
- ▶ Integration of the system into a pre-prototype form
- ▶ Use of the system to support cryogenic LNAs performance testing

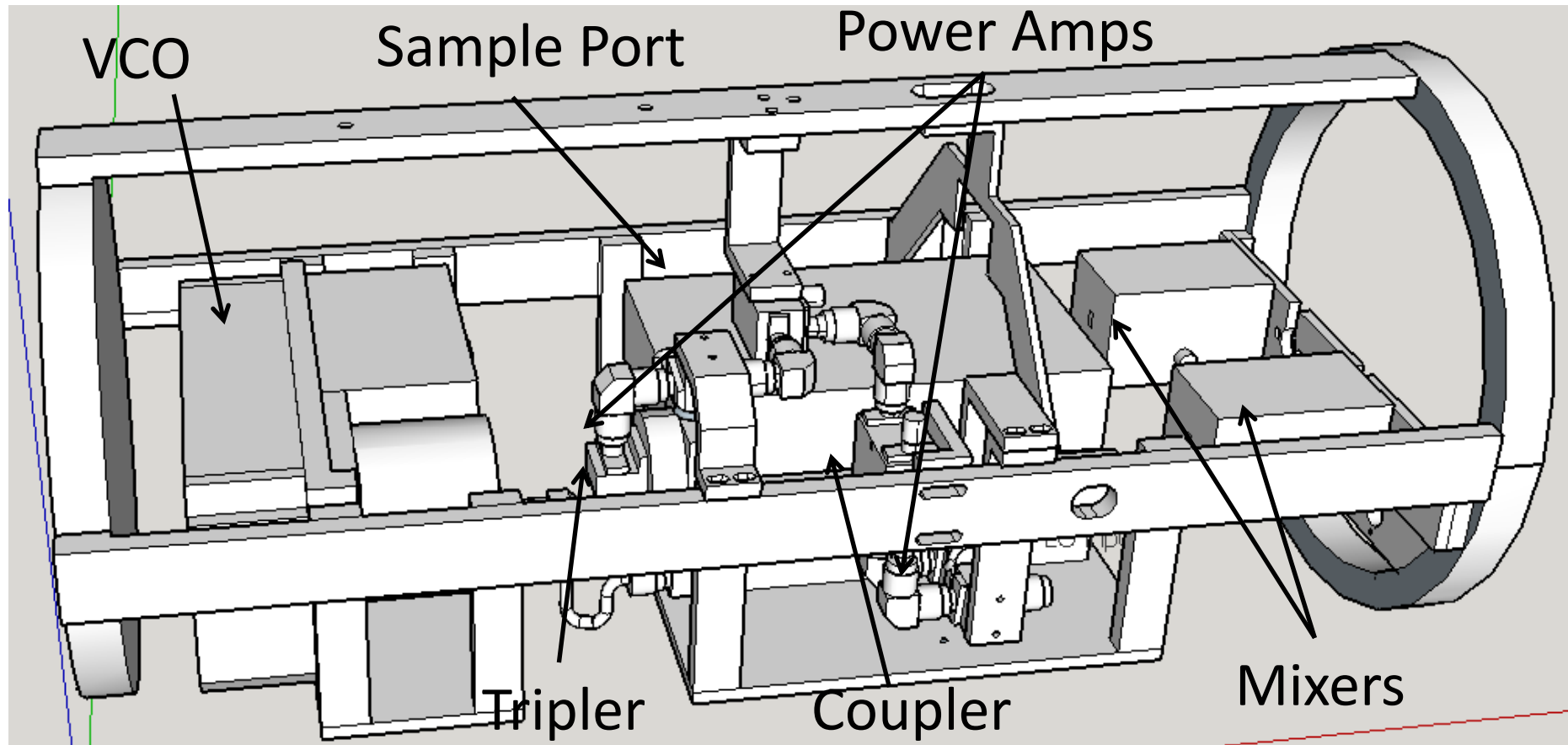
Band 2+3 Receiver Concept



Local Oscillator Chain

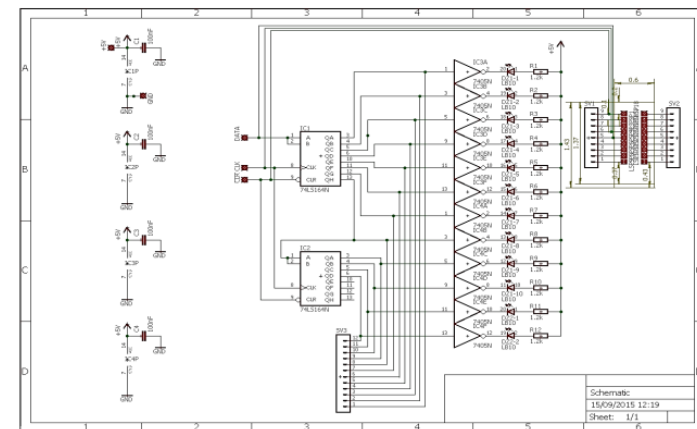
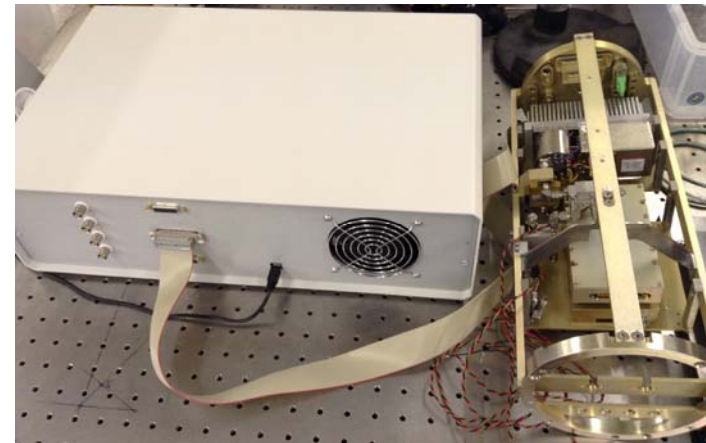


Local Oscillator Chain

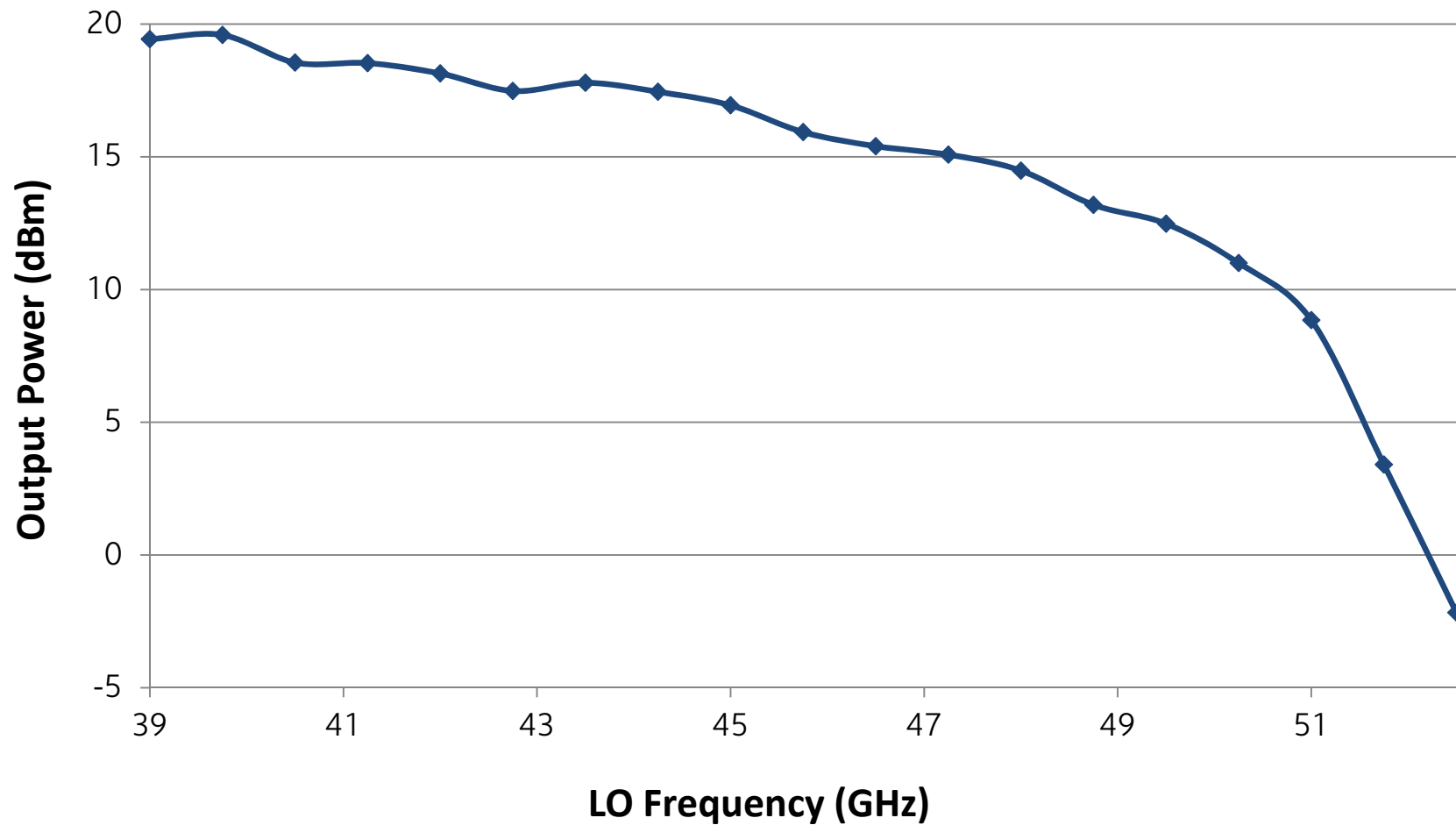


LO Control Interface

- ▶ An objective encoded software application has been developed to provide a user interface to the down-converter
- ▶ VCO frequency is set by the user and transferred to the VCO via a USB and digital interface circuit
- ▶ Maximum range of VCO: 13-17.5GHz
- ▶ A x3 multiplier produces a LO tuning range of 39-52.5GHz



Local Oscillator Power Level



Sub-Harmonic Image-Rejection Mixer (SHIRM) Development

- ▶ Frequency range
 - ▶ RF: 67-116 GHz
 - ▶ IF: 4-12 GHz (Goal); 4-8 GHz (current ALMA)
 - ▶ LO: 39.5-52 GHz

- ▶ Package
 - ▶ RF: WR10 waveguide
 - ▶ LO: WR19 waveguide
 - ▶ Integrated RF, LO and IF hybrids with two DSB mixers into a single housing

Sub-Harmonic Image-Rejection Mixer (SHIRM) Development

- ▶ Two possible phasing topologies when employing sub-harmonic mixers
 - ▶ $\Phi_{RF}=0^\circ, \Phi_{LO}=45^\circ$
 - ▶ $\Phi_{RF}=90^\circ, \Phi_{LO}=90^\circ$
- ▶ Devices employ planar Schottky diode technology from RAL Space

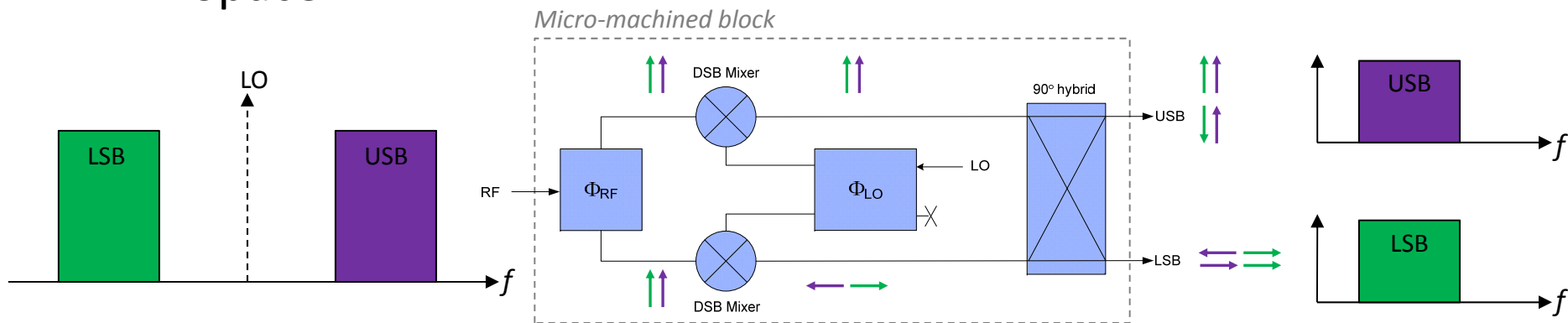
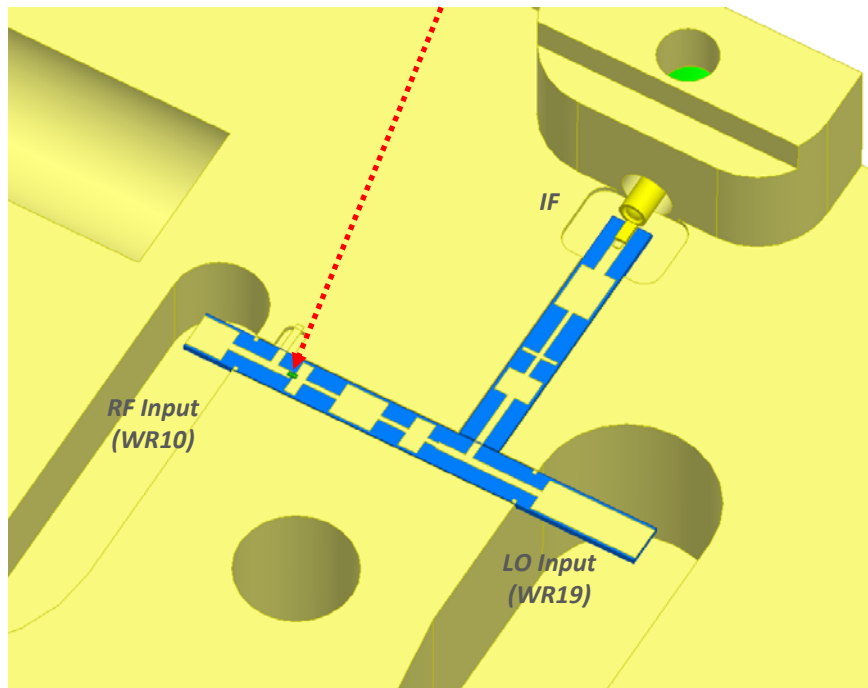
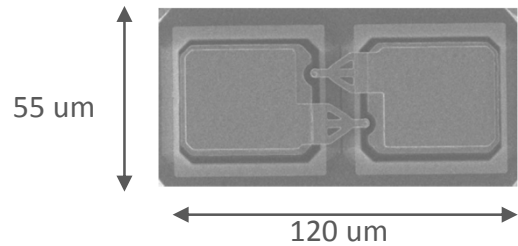
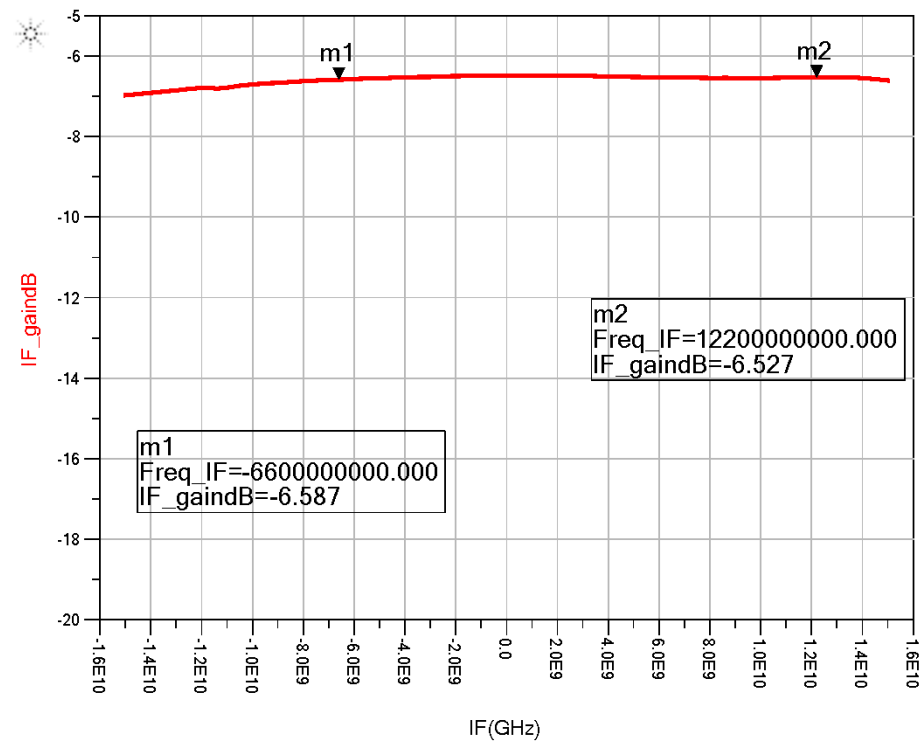


Image Rejection Mixer Architecture

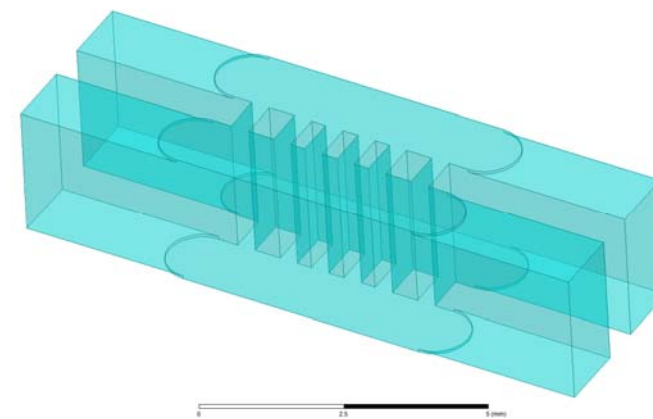
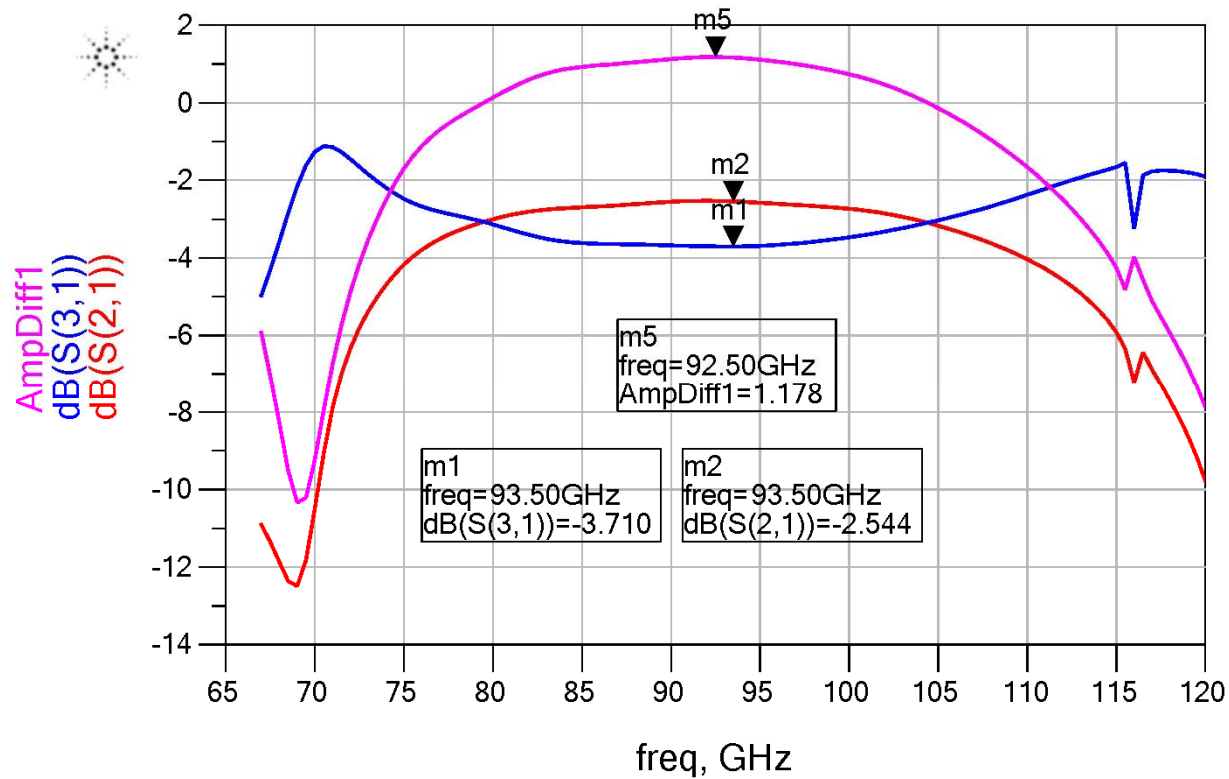
DSB subharmonic mixer with predicted performance



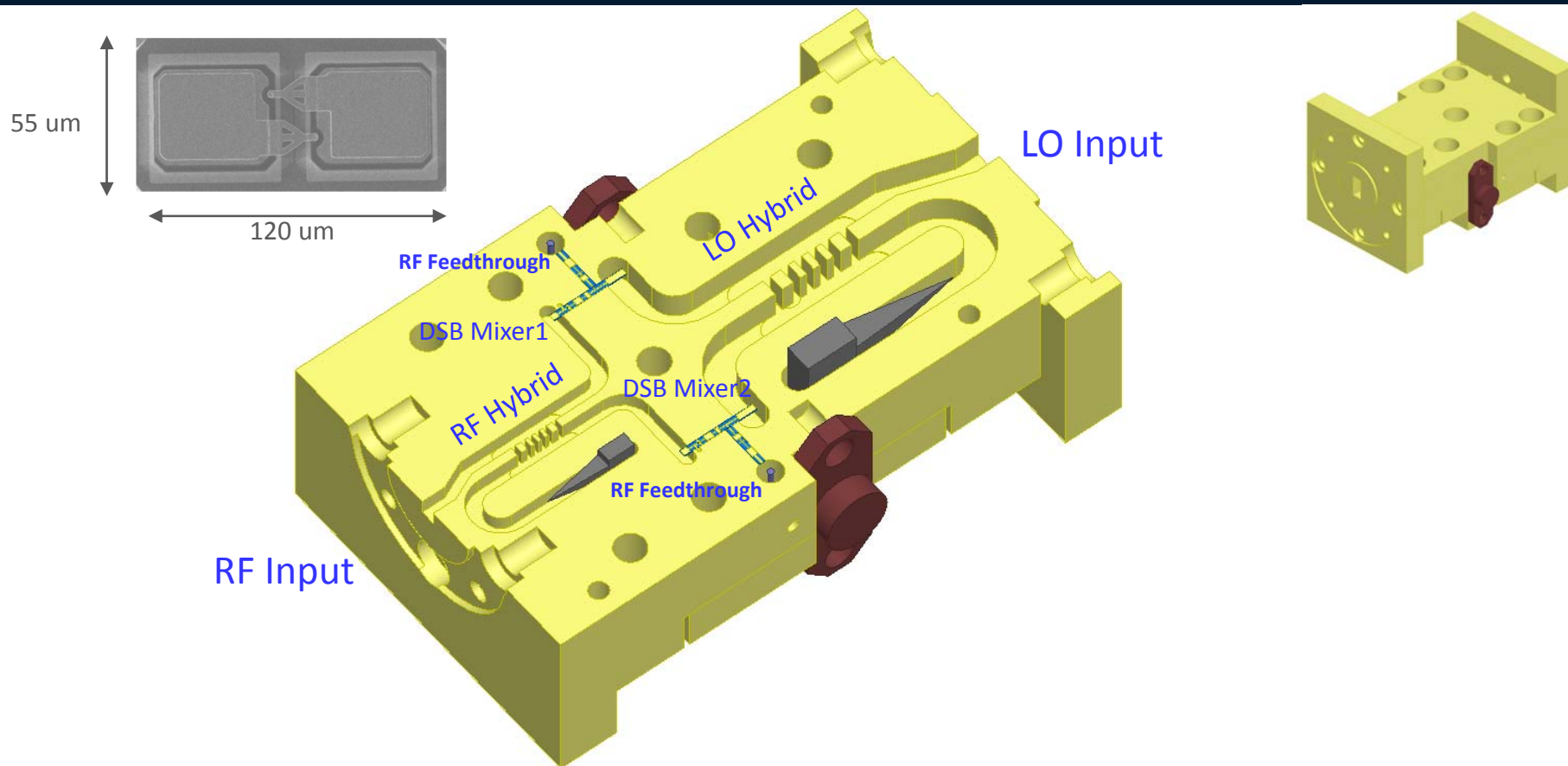
LO@46GHz, P_LO=3mW, IF: -15 to 15GHz



RF Hybrid

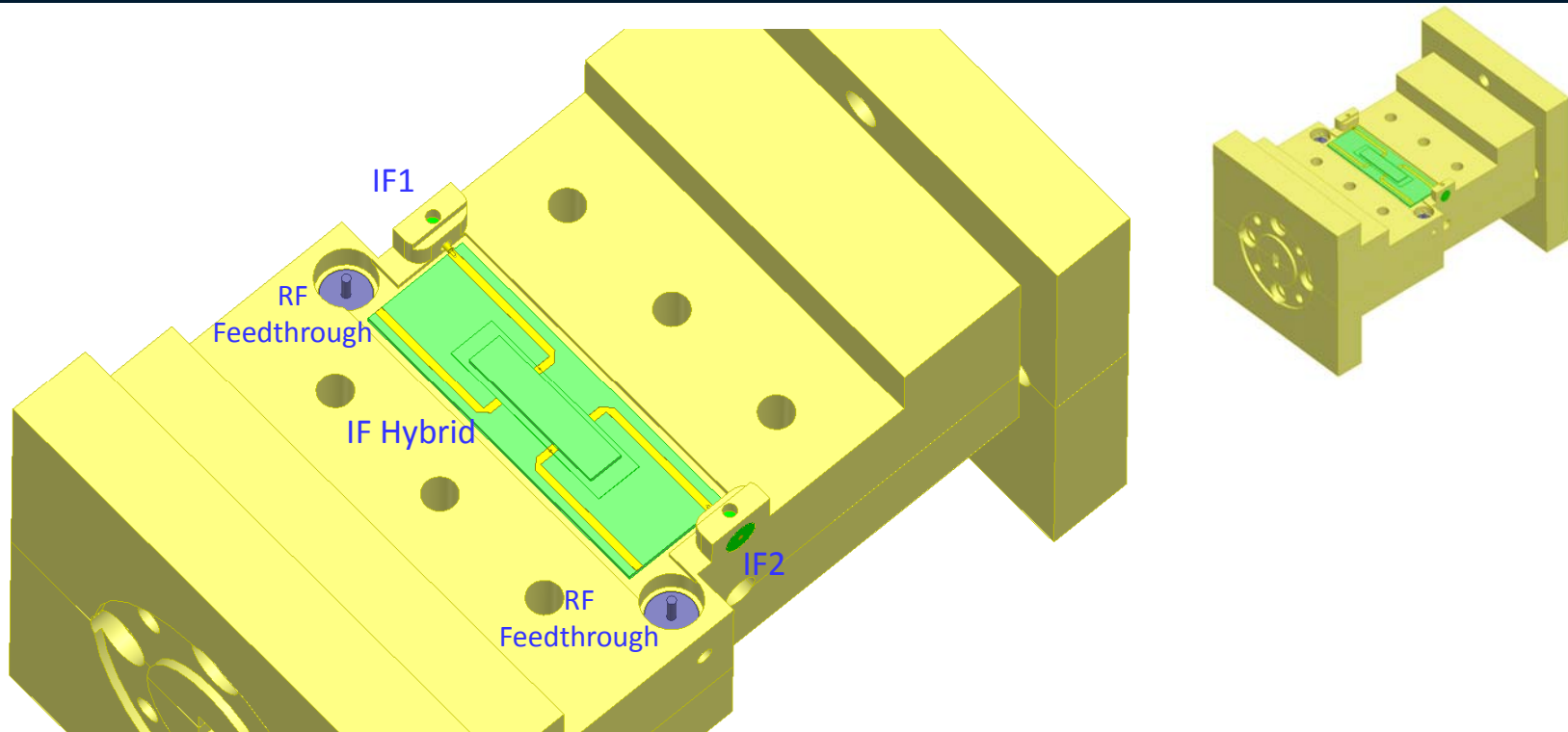


SHIRM 3D Drawing



- ▶ Block dimension: 50mm*30mm*30mm
- ▶ Three layers – single house including RF, LO and IF hybrids

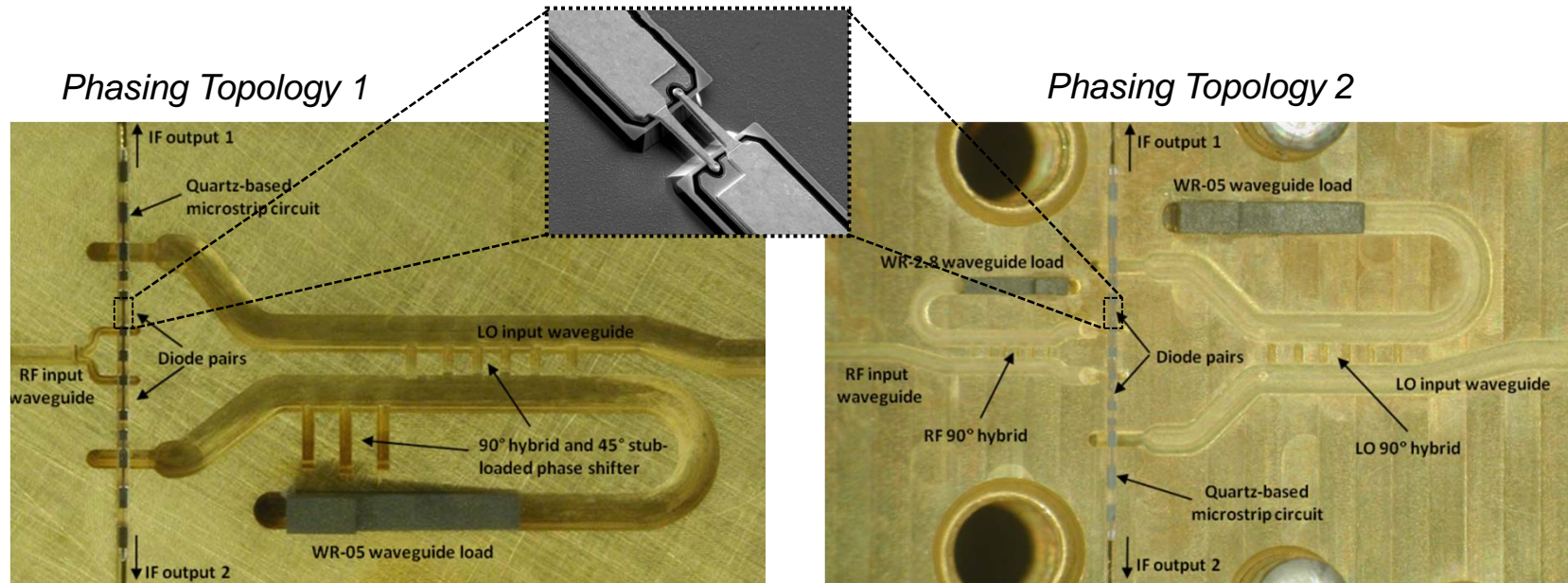
SHIRM 3D Drawing



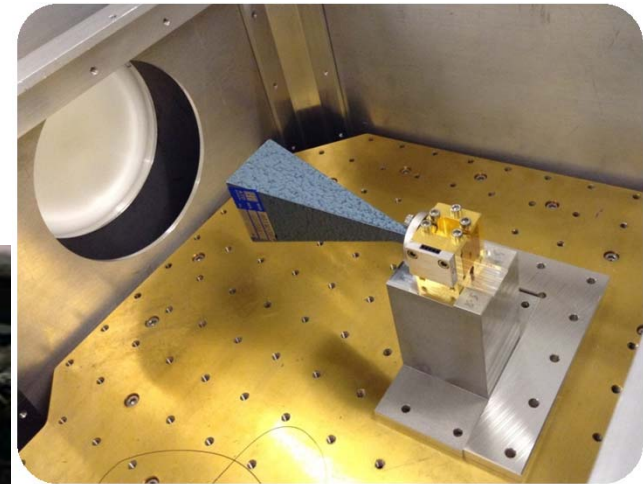
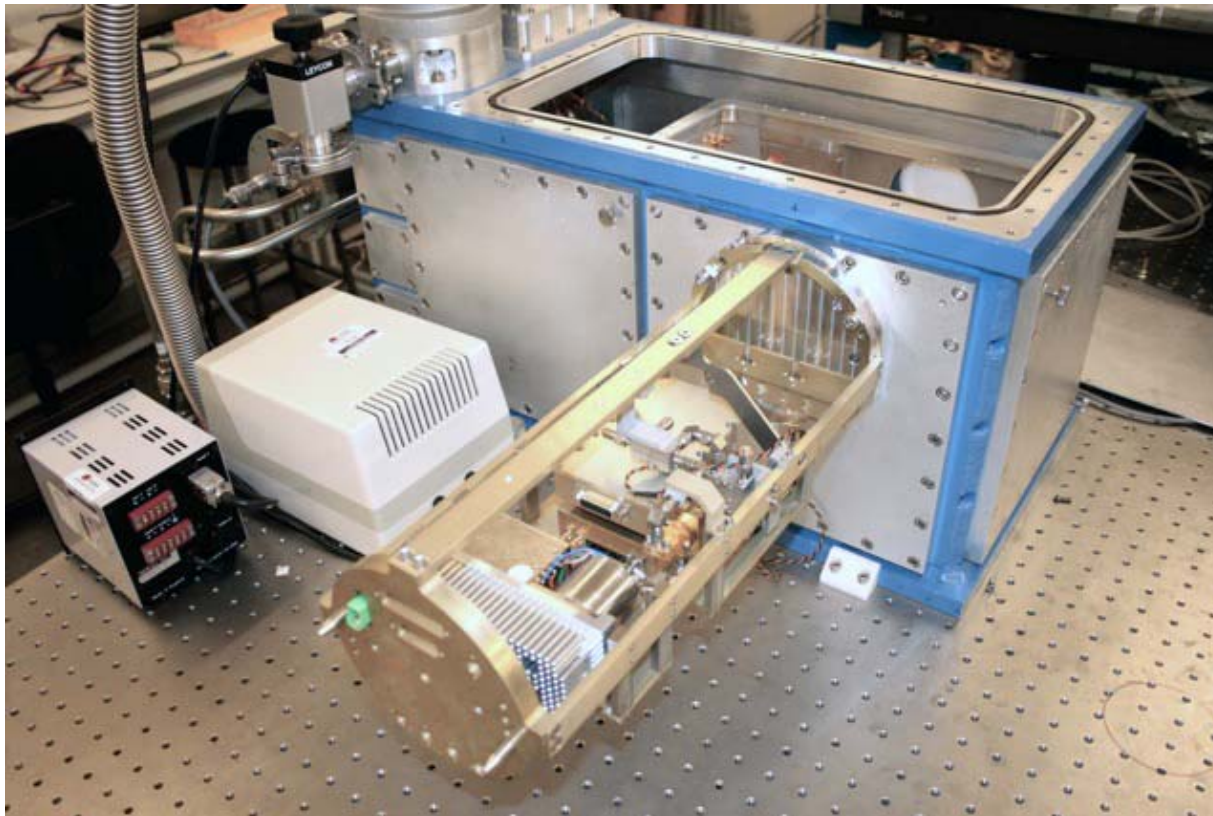
- ▶ Top layer contains IF hybrid
- ▶ Predicted Mixer NT of 1000K and CL of 8dB

Previous SHIRM at 340GHz

- SHIRM Optimised performance
 - Sideband rejection: 15 dB min. (>20 dB nom.)
 - SSB receiver noise temperature: ~3000 K
- Devices employ planar Schottky diode technology from RAL Space



LNA test setup for Band 2+3



Summary

- ▶ LO chain has been implemented into a pre-prototype form
- ▶ Appropriate electronic interfaces and software control developed
- ▶ SHIRM to be tested and integrated into the system to support LNAs measurement

Acknowledgements

The research described has received funding from the STFC Project Research and Development scheme, and the European Southern Observatory 2010 upgrade fund.