

NGC - Housings

Content

- 19" - KMOS - Lab – Test system
- 2 - Slot Housing
- 6 - Slot Housing

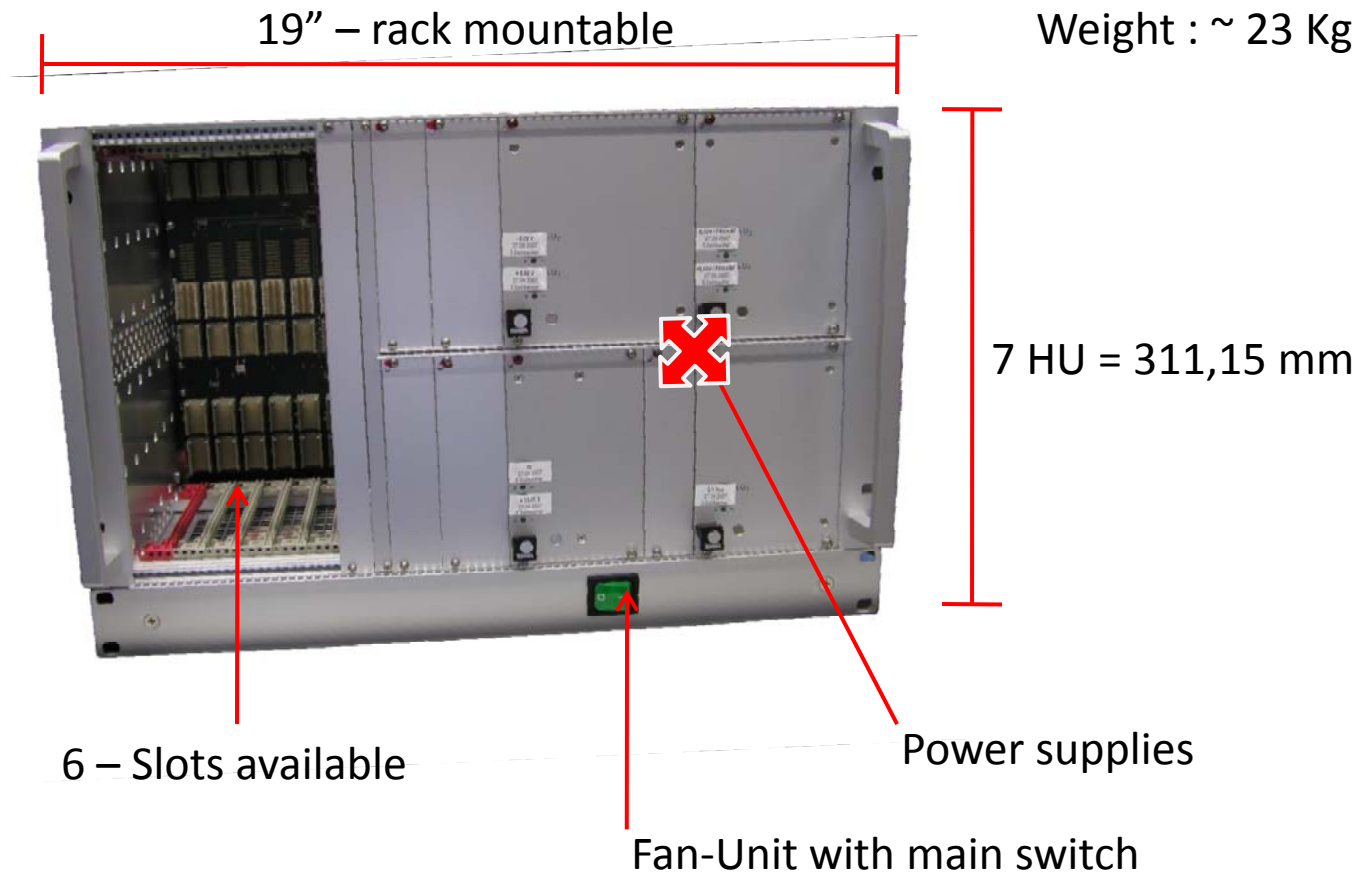
KMOS - Lab – Test system

front view



KMOS - Lab – Test system

front view



KMOS - Lab – Test system

rear view



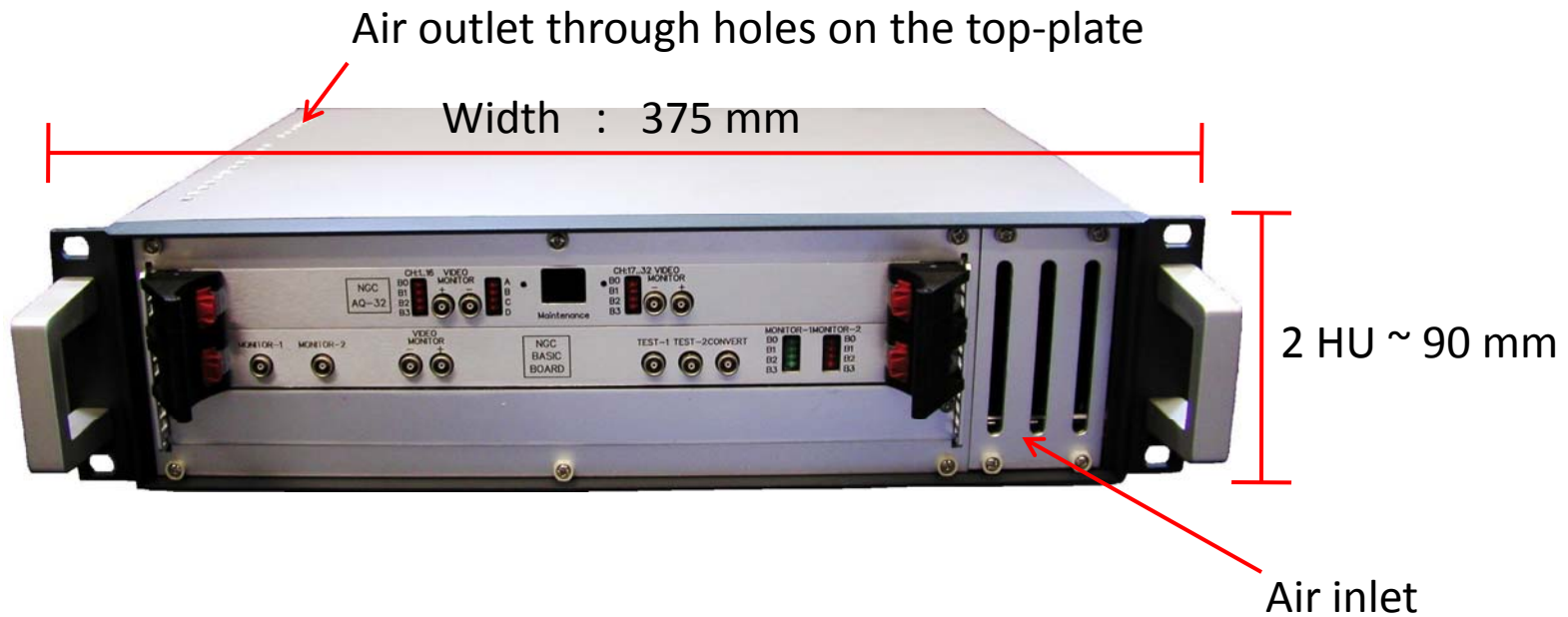
2 - Slot Housing

front view



2 - Slot Housing

front view



Depth : 362 mm (incl. handles)
Weight : 4,2 Kg without Boards
3 Low power fans integrated / ~ 3Watt

2 - Slot Housing

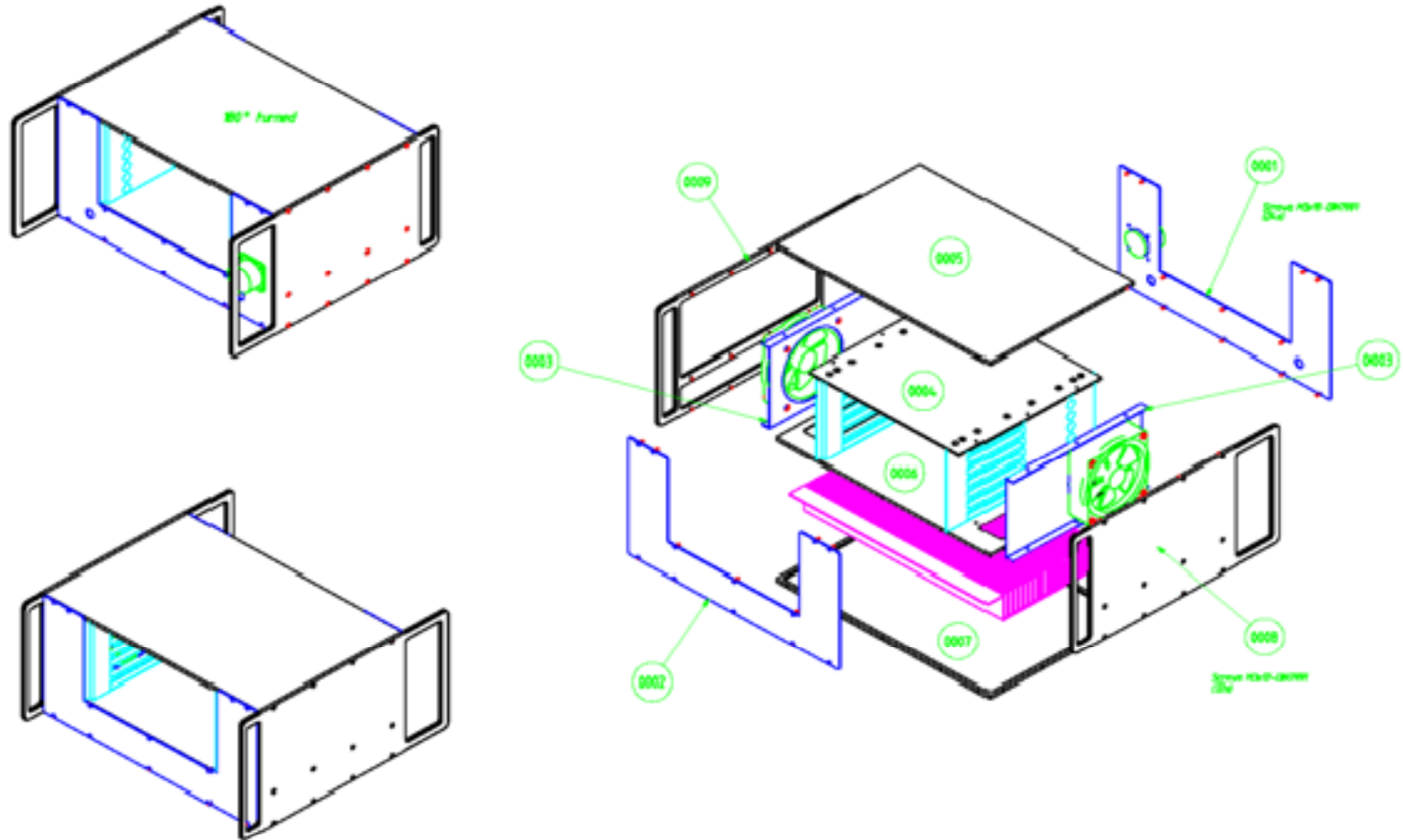
rear view



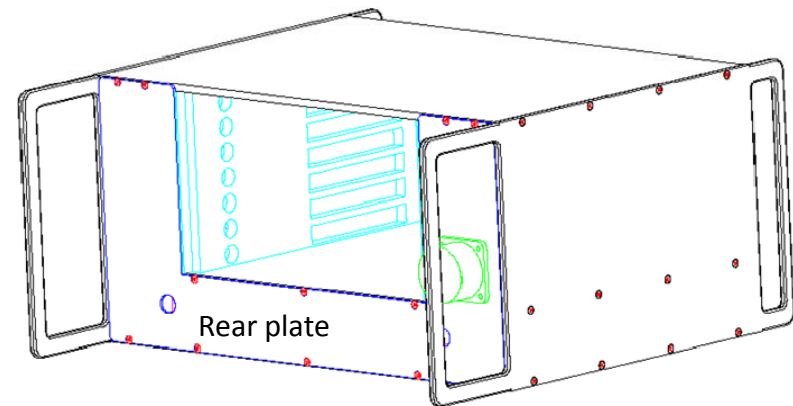
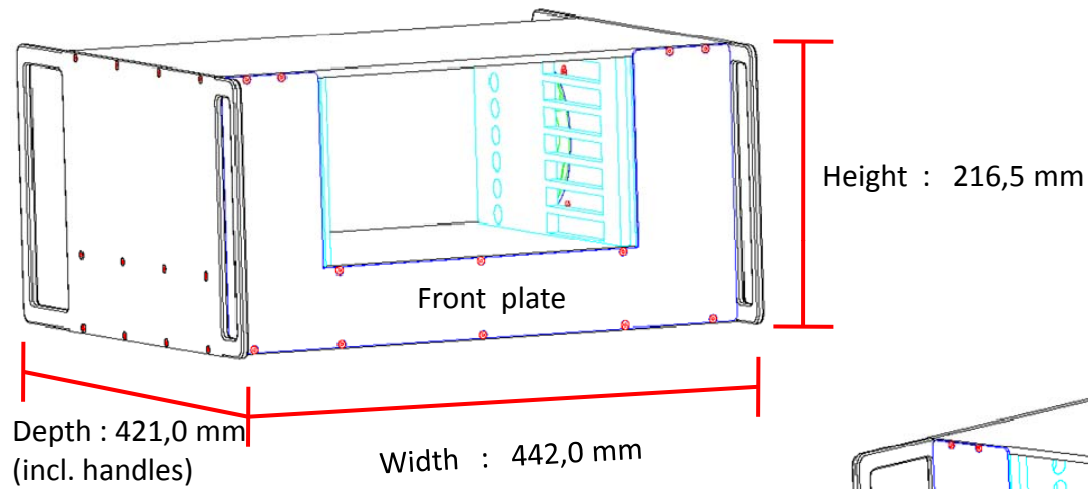
2 - Slot Housing summary

- Width : 375 mm
- Height : 90 mm
- Depth : 362 mm (incl. handles)
- Weight : 4,2 Kg without Boards
- 3 Low power Fans integrated / ~ 3Watt

6 - Slot - Housing



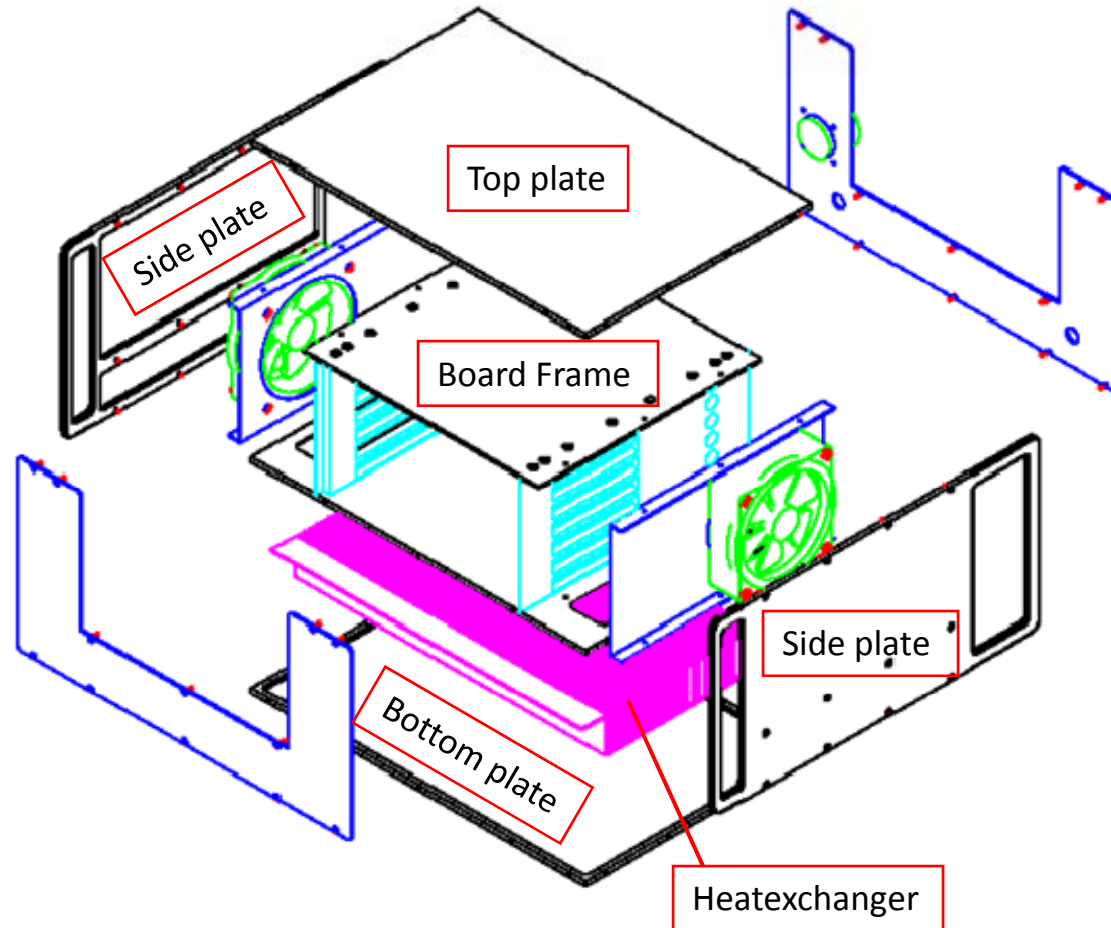
6 - Slot - Housing



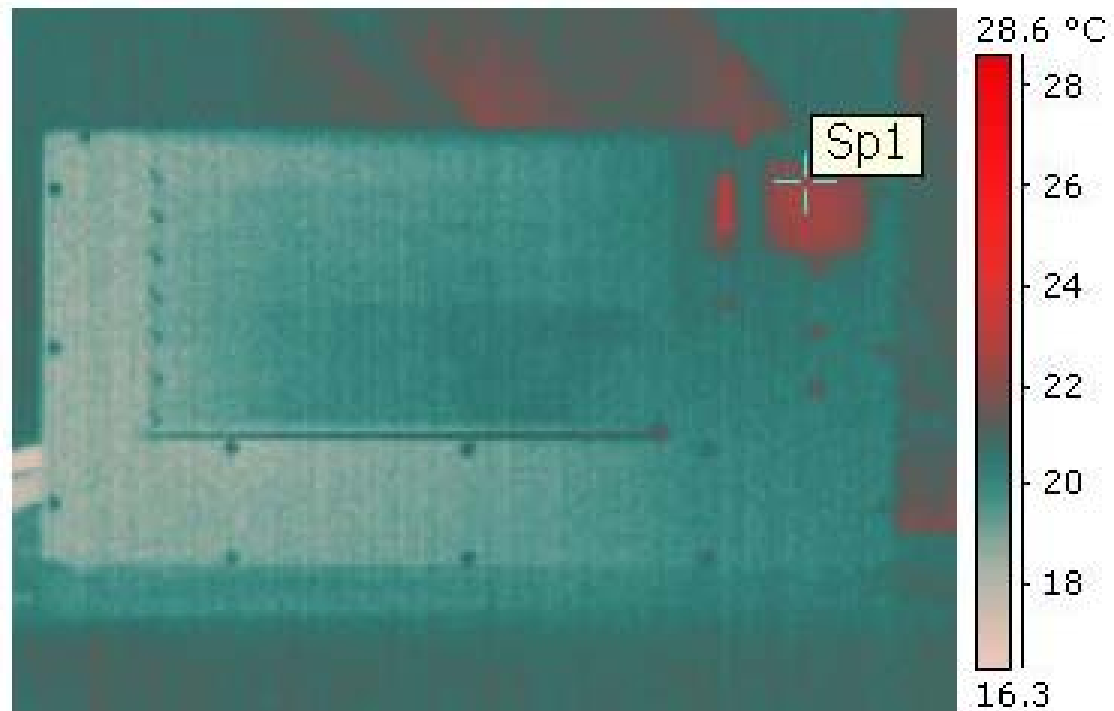
Weight : ~ 15 Kg without Boards

integrated Water/Air Heatexchanger

6 - Slot - Housing



6 - Slot - Housing



Thermal Test of a former Prototype - 6 - Slot Housing

6 - Slot – Housing summary

- Width : 442,0 mm
- Height : 216,5 mm
- Depth : 421,0 mm (incl. handles)
- Weight : ~ 15 Kg without Boards
- integrated Water/Air Heatexchanger

Status

- KMOS – Lab – Test system finished, operating in IR-Lab
- SPHERE – DTTS – Housing finished
- 6 – Slot-Housing, Design finished, drawings completed, Prototype ordered

Siegfried
Eschbaumer
seschbau@eso.org

Many Thanks to

Guy Hess
for the drawings

&

Jean-Paul Kirchbauer
for doing the mechanical work on the Prototype-Housings