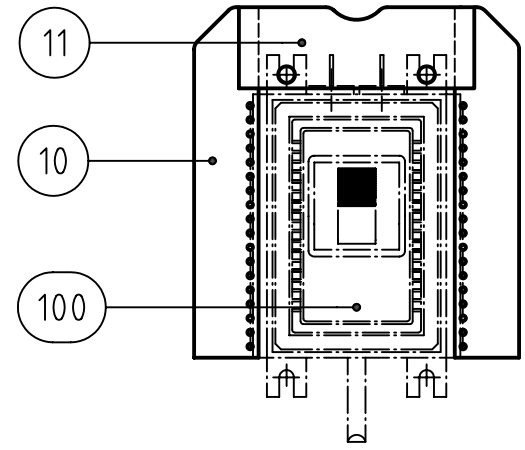
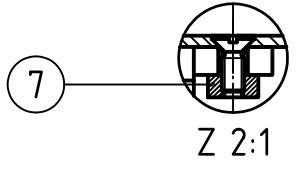
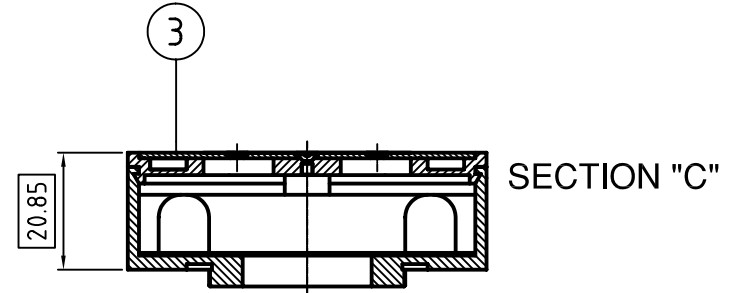
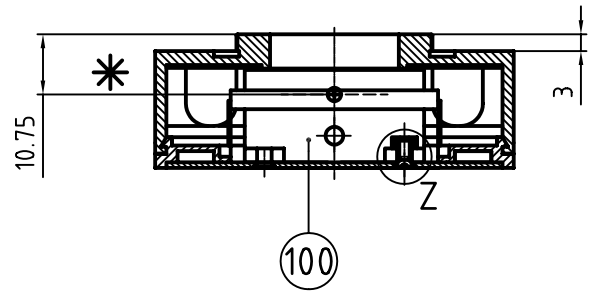
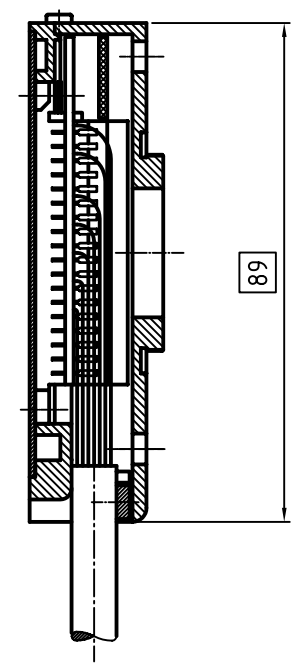
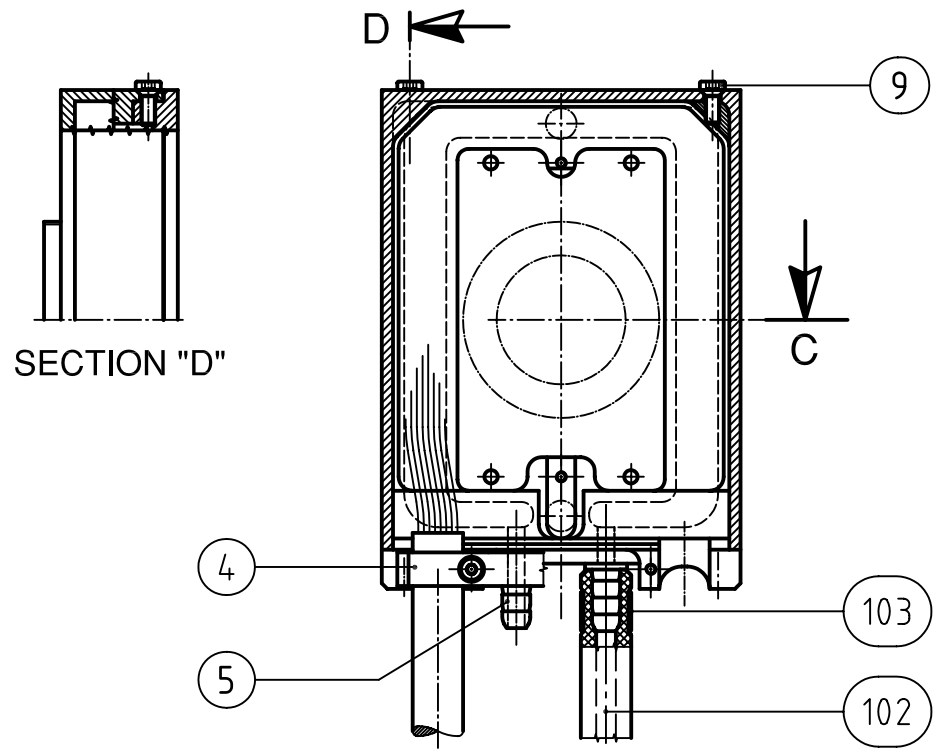
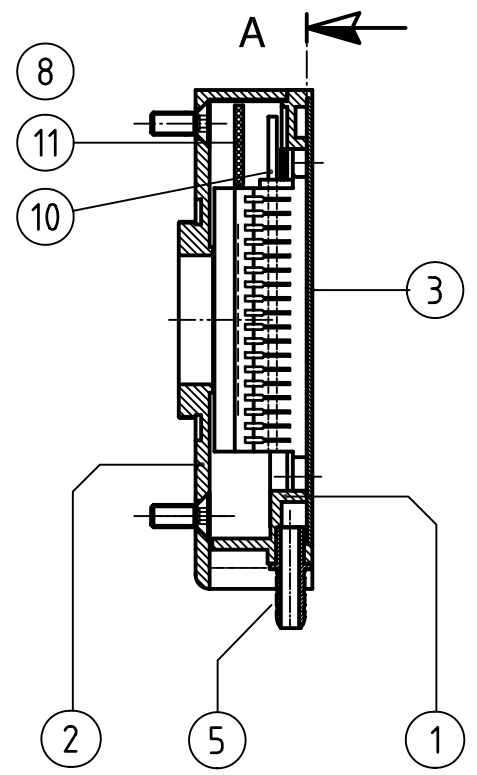


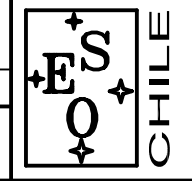
SECTION "A"
(without part No 3)



* PHYSICAL DIMENSION = 10.75 MM
OPTICAL DIMENSION = 10 MM (WINDOW REFRACTION !)

not everything to scale

| | | | | | | | | | | |
|----------------------|---------------|-----------|------------------|----------|------------|-------------------|----------------|---------------------------|--|--|
| LA SILLA OBSERVATORY | DESIGNED | W.Eckert | DATE | 14.12.05 | MATERIAL | ----- | MEC NUMBER | LSO-DWG-ESO-INS-942.00.00 | | |
| | DRAWN | | | | | | PROJECT | NGTCCD | | |
| | CHECKED | | | | DIM. | | | | | |
| | MODIFICATIONS | | SCALE | 1:1 | | NAMING | | PAO-NGTCCD 57-10 | | |
| | NAME | DATE | | | SUBPROJECT | | FLAT TCCD HEAD | | | |
| | Eckert | 29.03.06 | NUMBER OF PIECES | 1 | | GENERAL TOLERANCE | | DIN 7168 fine | | |
| | J.C.Pineda | 12.10.06. | | | | | | | | |
| VERSION | | COMMENTS | | | | Diskette: 588 | | A3 | | |
| | | | | | | AutoCad 9420000 | | | | |



EUROPEAN
SOUTHERN
OBSERVATORY