

ESO CCD CONTROL SYSTEM

PALS' SCHEMATICS ALBUM

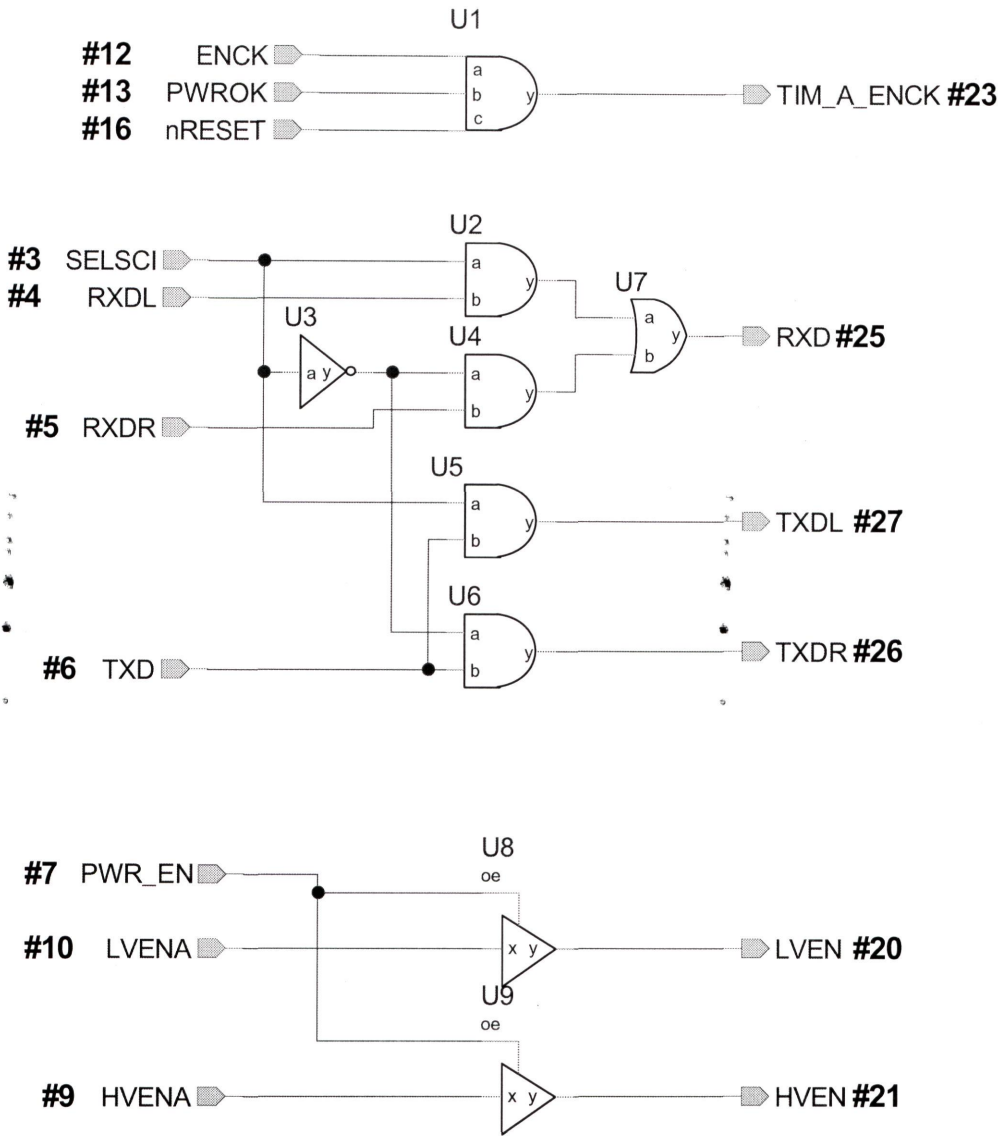
Astronomical Research Cameras Inc.

March 26, 2004

CONTENTS

•	ARC22 U37V5.3	-----	1
•	ARC22 U16V5.3	-----	2
•	ARC22 U3V5.1	-----	3
•	ARC32 U4V5A	-----	4
•	ARC45 U29V50	-----	5
•	ARC45 U30V50	-----	6
•	ARC78 U9V1.0	-----	7
•	ARC65 U5V1.0	-----	8

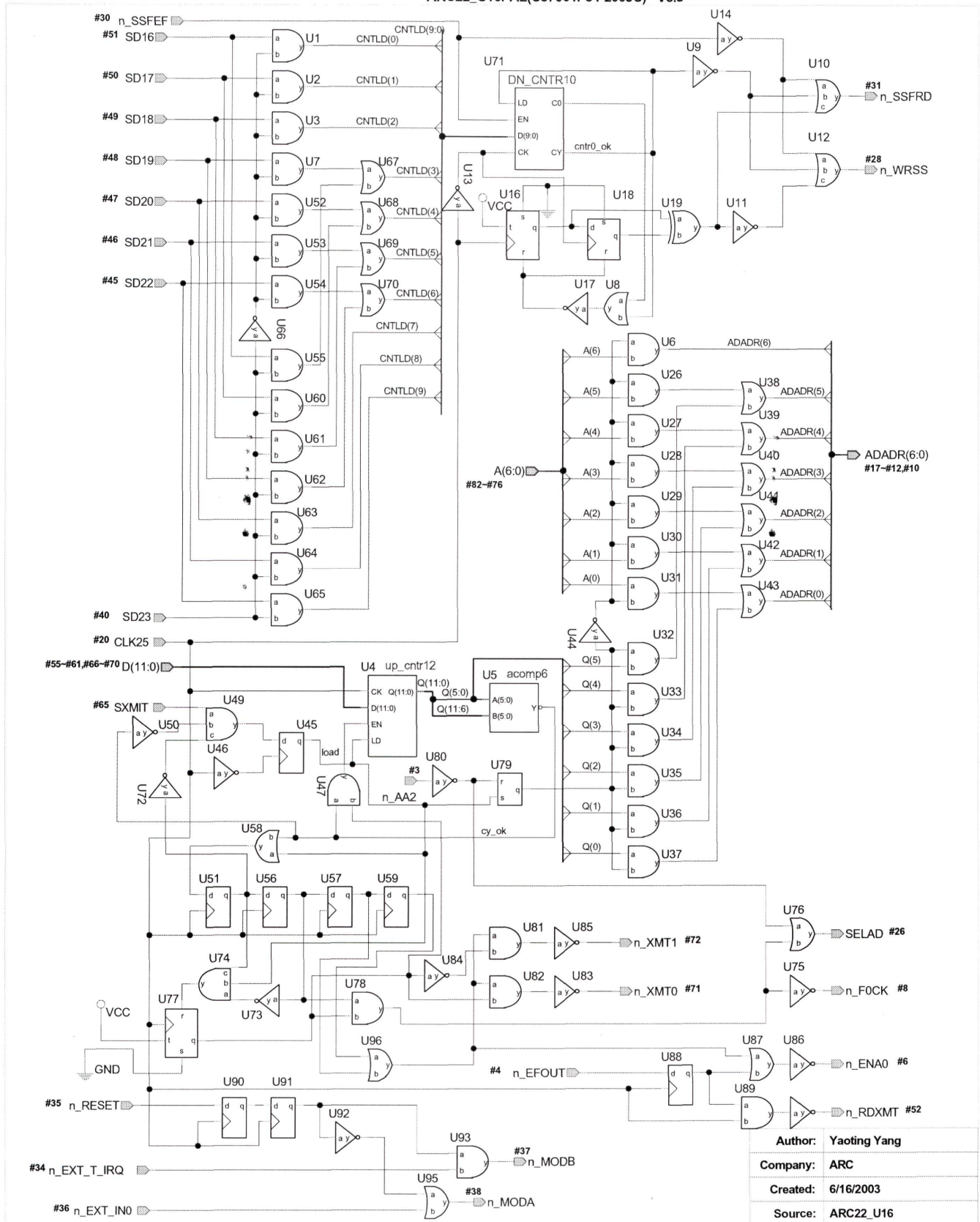
ARC22 v5.3 U37(PAL:CE22V10-7JC)



Author:	Yaoting Yang
Company:	ARC
Created:	12/4/2003
Source:	U37V53

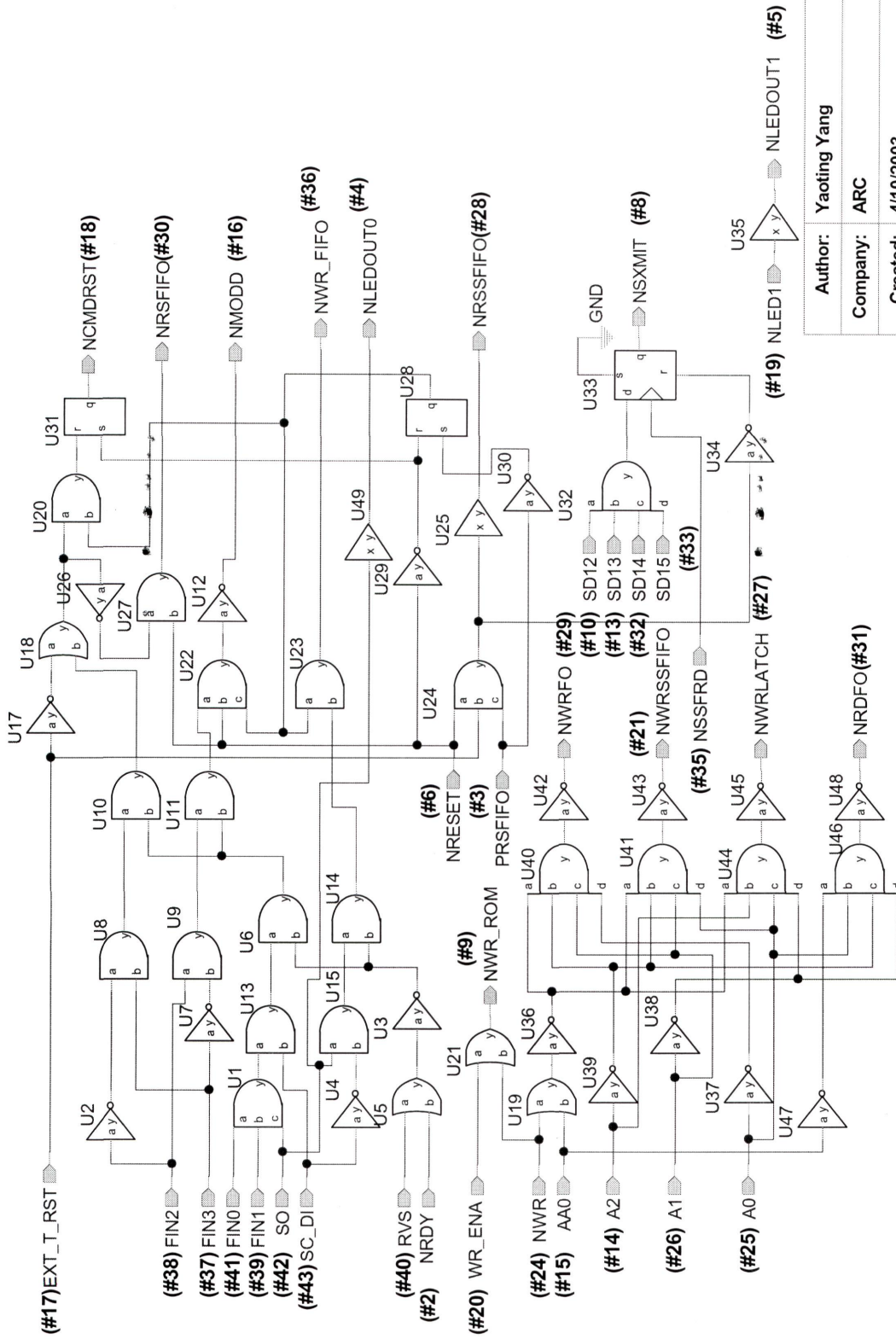
Project

ARC22_U16PAL(C37064P84-200JC) V5.3



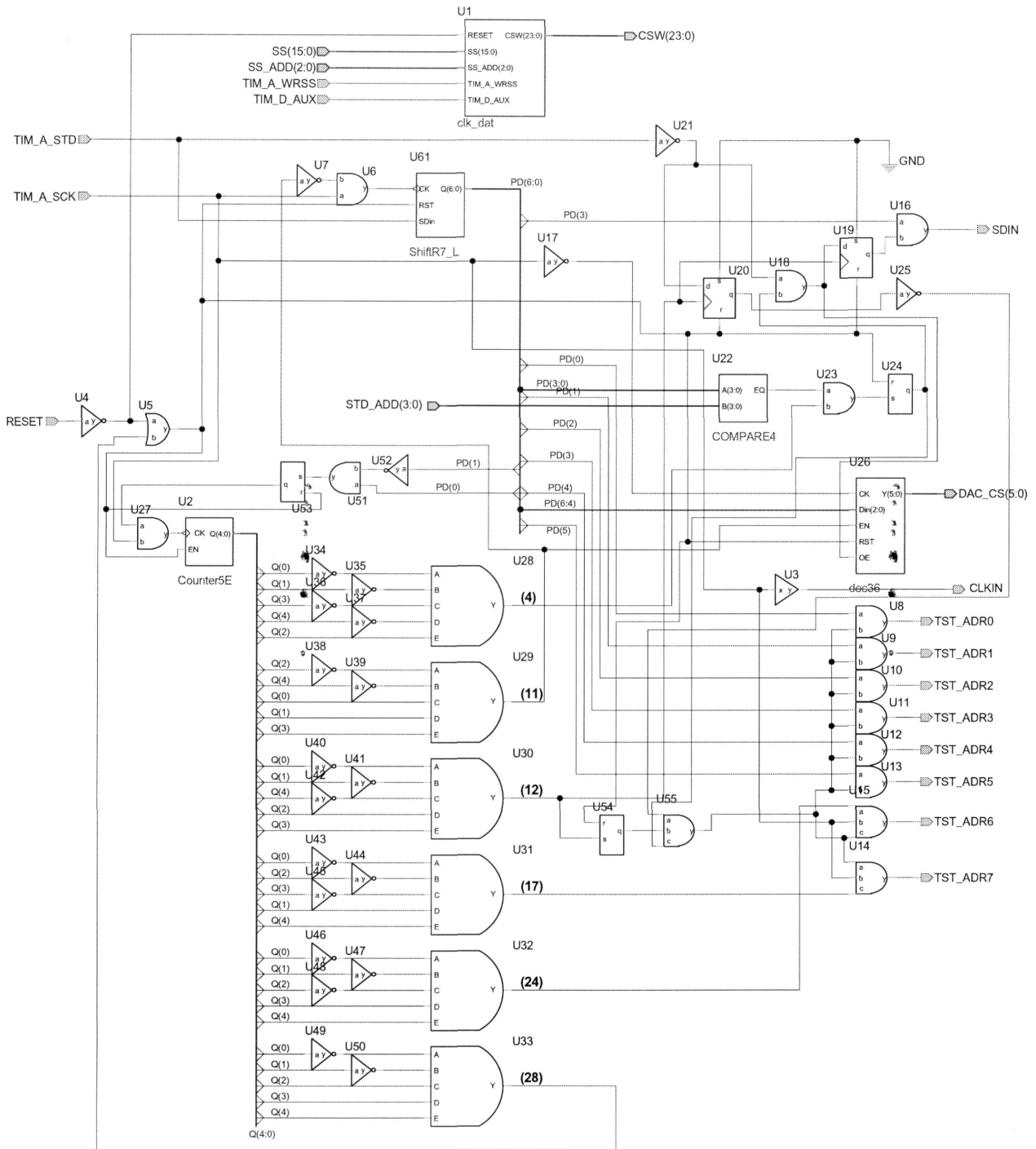
Author:	Yaoting Yang
Company:	ARC
Created:	6/16/2003
Source:	ARC22_U16

ARC22 U3(PAL:CY37064P44-200JC)

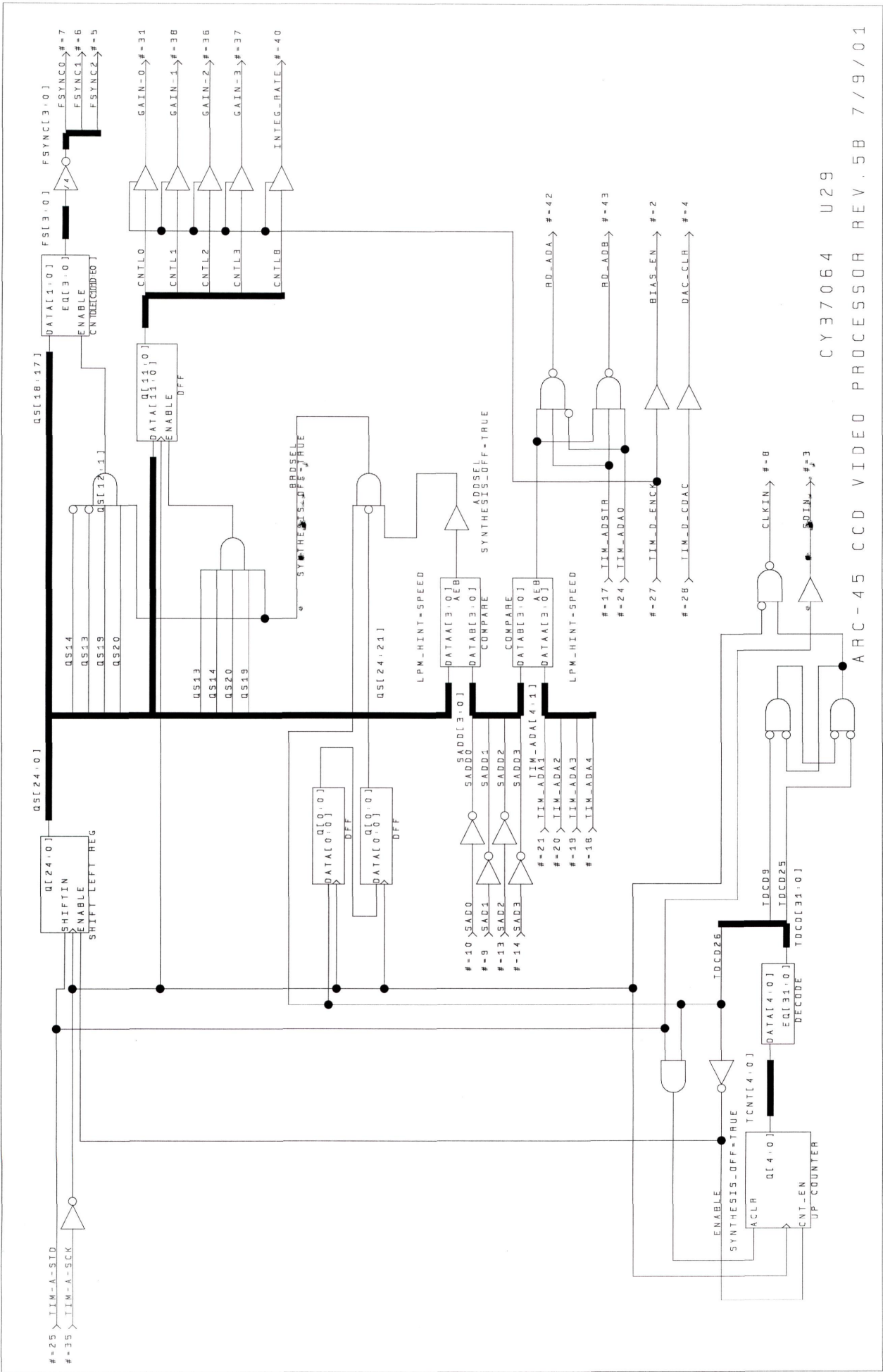


Author:	Yaoting Yang
Company:	ARC
Created:	4/10/2003
Source:	ARC22R51

Project

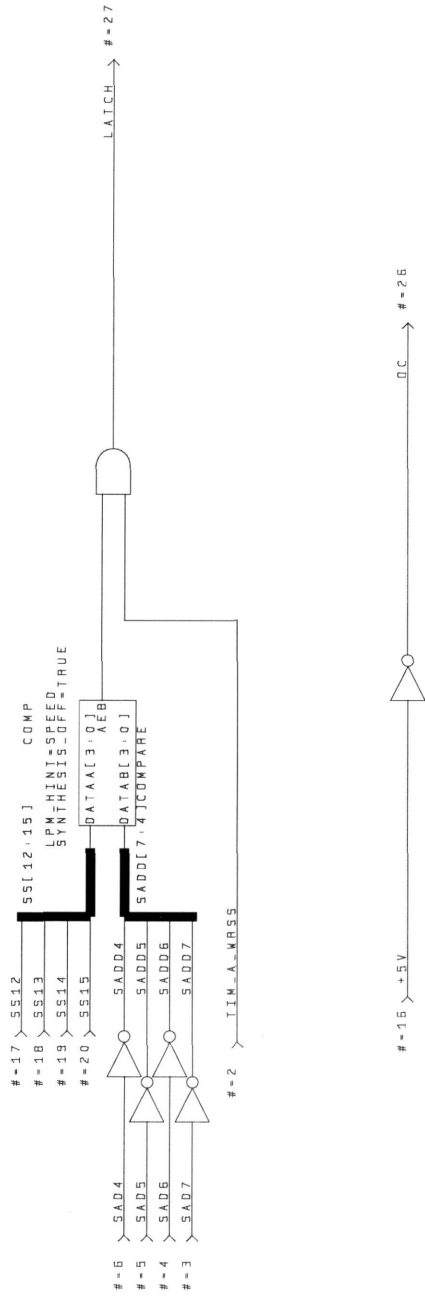


Author:	Yaoting Yang
Company:	ARC
Created:	11/22/2002
Source:	CLK_5A_PAL



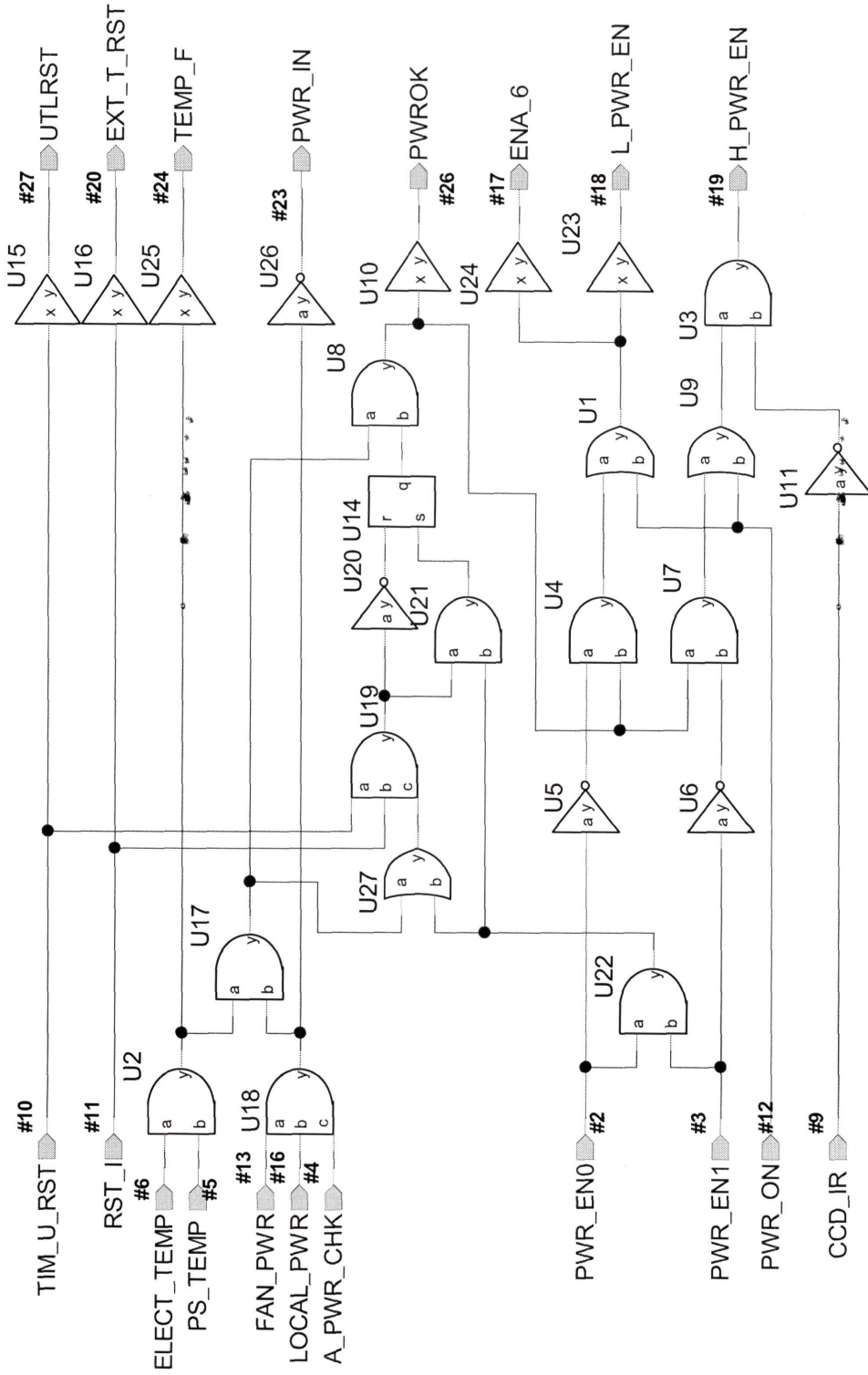
CY37064 U29

ARC-45 CCD VIDEO PROCESSOR REV.5B 7/9/01



ARC-45 CCD VIDEO PROCESSOR REV. 5B 11/16/01
 22V10D-7JC U30

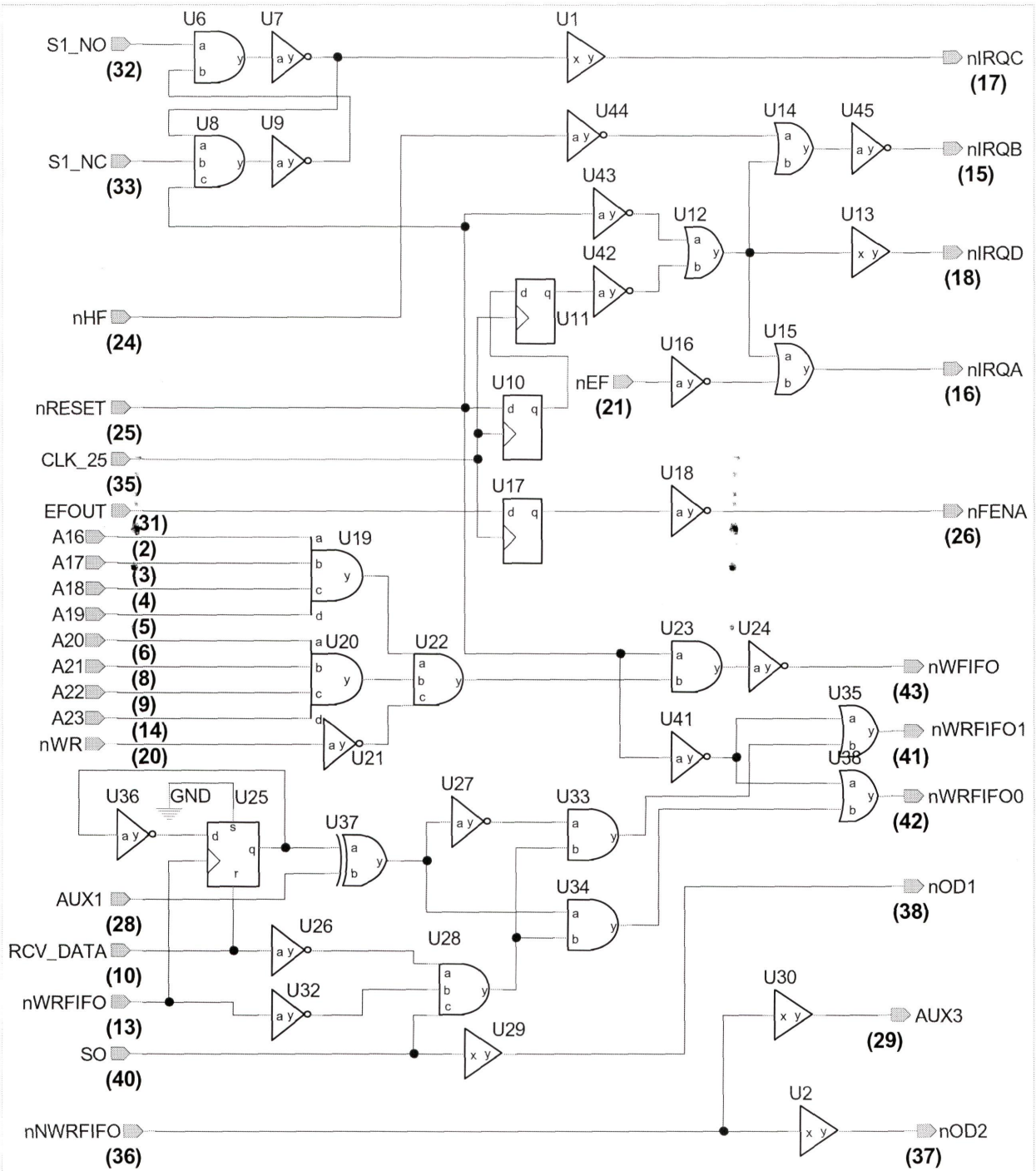
ARC78-U9



Title:	ARC78_U9
Author:	Y. Yang
Device:	C22V10D-7JC
Created:	11/12/2003

Project

ARC-65 U5PAL(CY37064P44-200JC)



Author:	Yaoting Yang
Company:	ARC
Created:	7/22/2003
Source:	U5_PAL 1.0